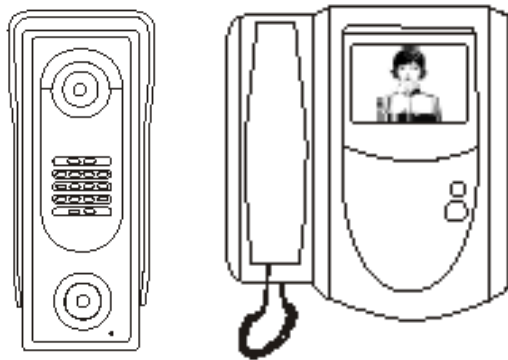


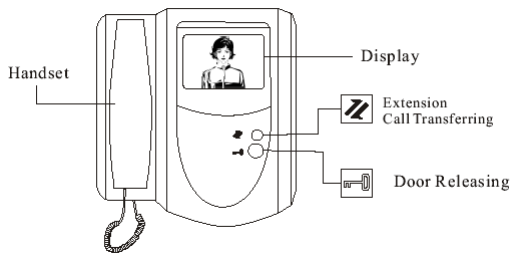


EV4

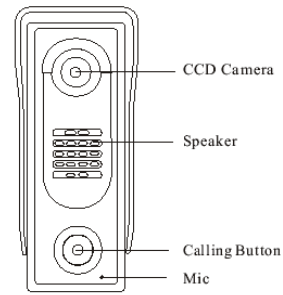
VIDEO DOOR ENTRY SYSTEM OPERATING INSTRUCTIONS



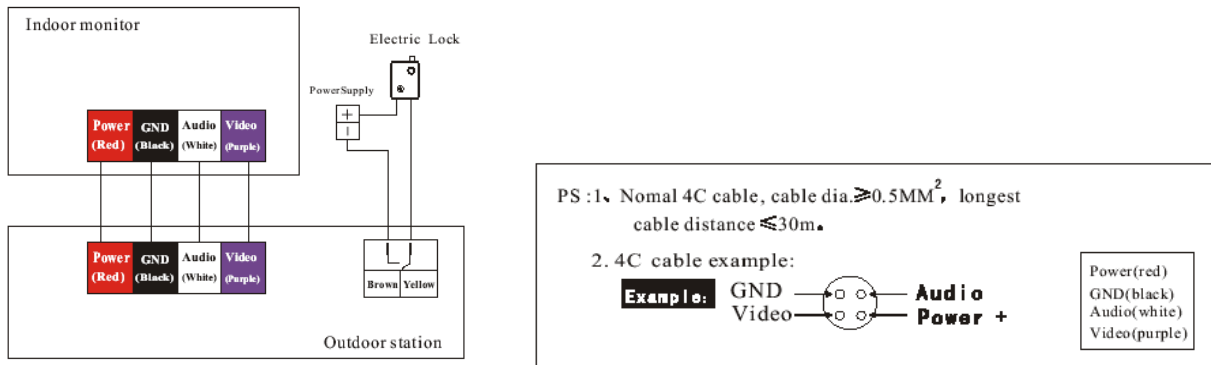
1. MONITOR OPERATION



2. OUTDOOR STATION

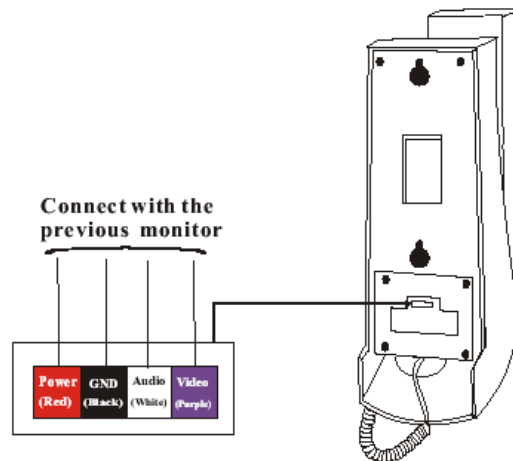


3. SYSTEM CONNECTIONS

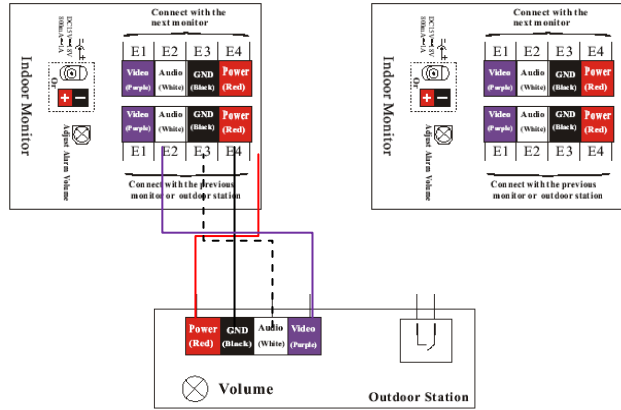
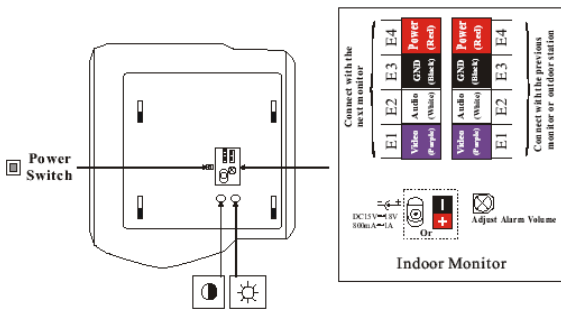


USE NORMAL CABLE, **NOT** STP TWISTED PAIR

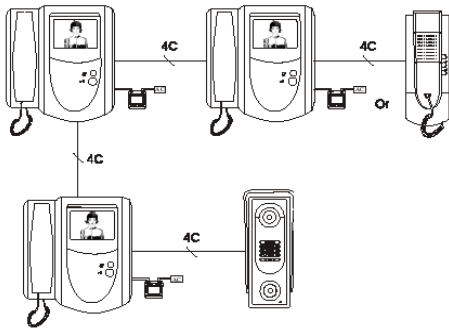
4. CONNECTION OF AUDIO ONLY HANDSET



5. MONITOR CONNECTIONS

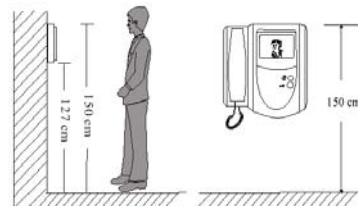


MAXIMUM SYSTEM LAYOUT



(I) Notices

- Outdoor station and Indoor monitor installation should be at the position of about 150cm high.
- Never install the outdoor station near the strong radiate equipments, such as the TV set, video record, computer system and etc.
- It is very dangerous to open the back case of the indoor monitor by your selves.
- Never shake, collide, beat, throw the indoor monitor, and shatter the parts of it.
- No power go through when installing.



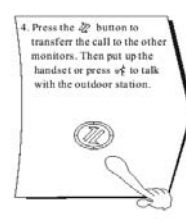
(1) Calling



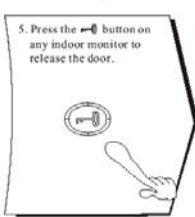
(2) Talking



(3) Extension Call Transferring



(4) Door Releasing



(5) Monitoring





Technical Support 0121 786 1881

www.espuk.com