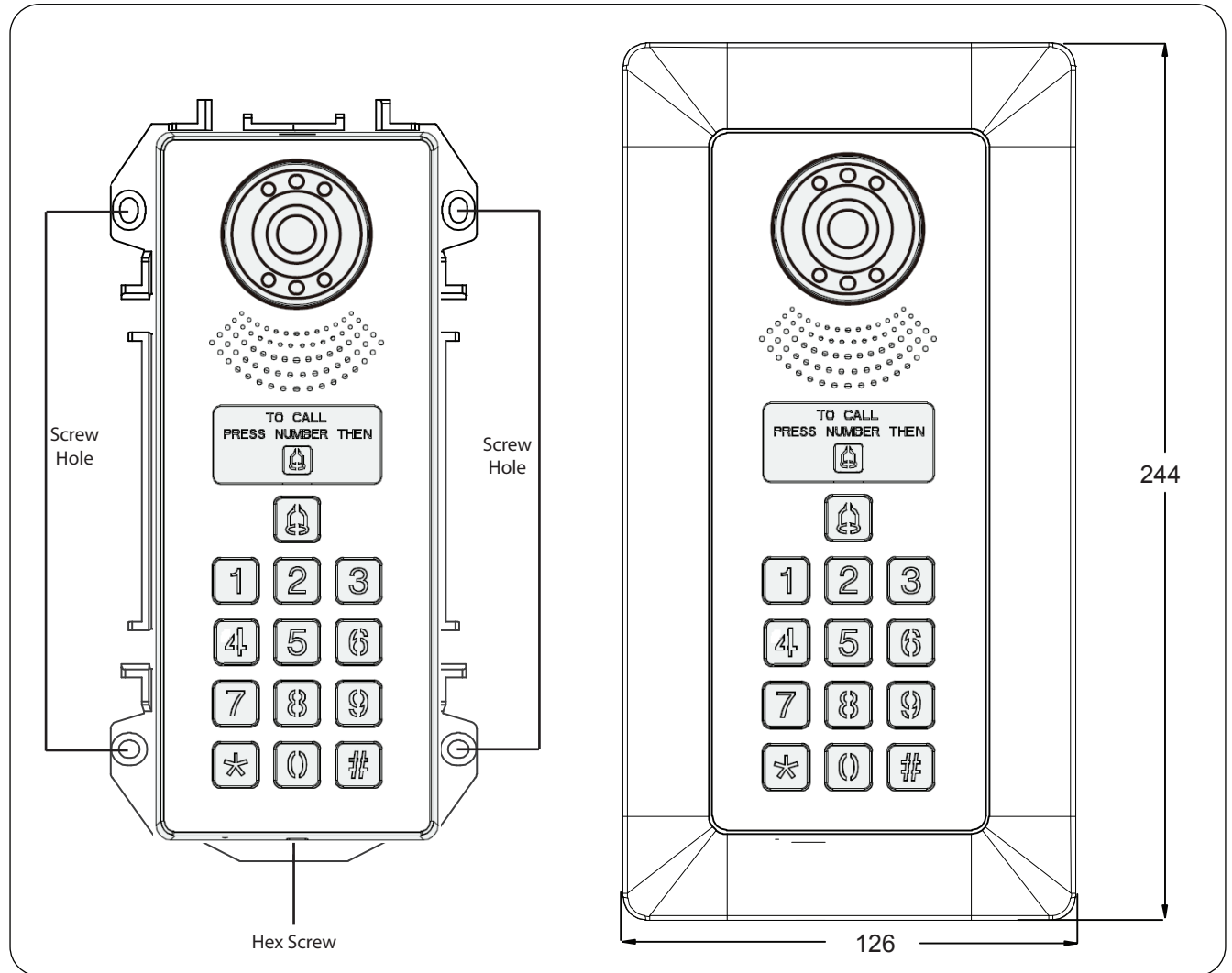
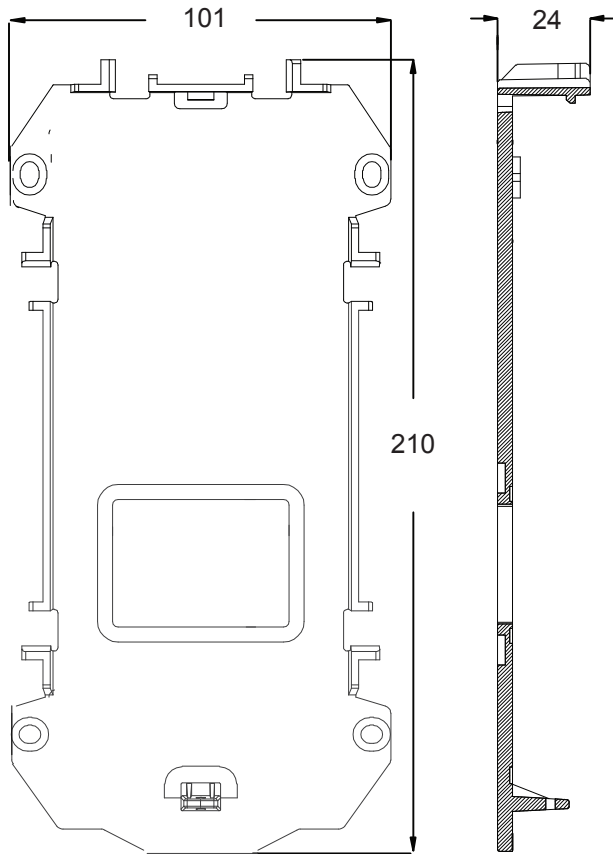




1. Secure the door station to the mounting bracket using the bottom end hex screw.
2. Fix the mounting bracket using the 4 screw holes.
3. Clip on the frame to complete flush mount fixing.



E&OE-Errors and omissions excepted.D17

APDSKPFMS Flush Mounting Bracket



Elite Security Products
Unit 7, Target Park, Shawbank Rd
Lakeside, Redditch, B98 8YN
Telephone: 01527 51 51 50
Fax: 01527 51 51 43
email: info@espuk.com