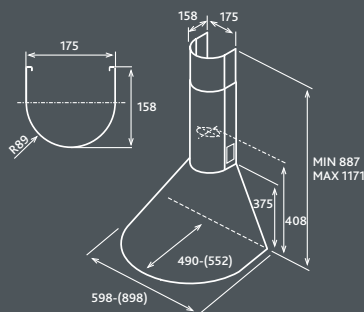


Tonda

44

CHIMNEY / DECORATIVE



Finish	Stainless steel
Controls	3 speed slider control
Lights	2 x 40w hob lamp
Grease filter	Metal washable grease filters
Ducting connector	125mm (5in) diameter ducting connector
Available widths	600mm or 900mm
Maximum airflow	480m ³ /h
IEC airflow	430m ³ /h
Noise level	49-64 dB(A)
Power consumption	230w
Charcoal Filter	F00169/2S

	Description	Code
TONDA 60	TONDA IX/F/60	2938000
TONDA 90	TONDA IX/F/90	2937999