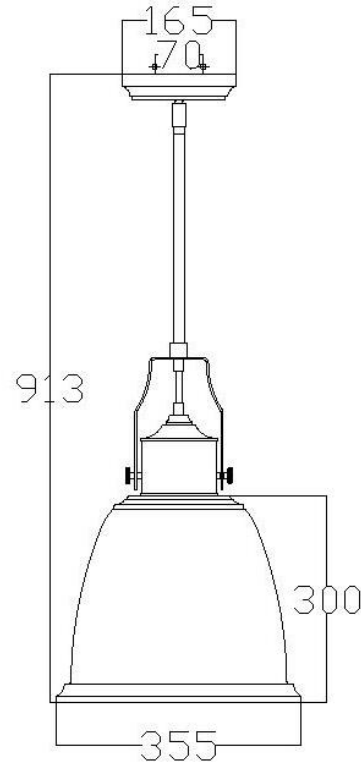


**BRAND: Hobson**
**STYLE: ILt Pendant Large**


1. Item Code	FE/HOBSON/P/L AB or SN	23. Maximum Drop	1680
2. Drawing No.	FE PI 356 Hobson PL	24. Adjustable?	Yes – Height Adjustable
3. Tested?	No	25. Shade/Glass Material	Glass in Clear Seeded finish
4. Final Sign-off Sample Done?	No	26. Shade Width (mm)	355
5. Category	Indoors	27. Shade Height (mm)	300
6. Type	Pendant	28. Shade Depth (mm)	355
7. Finish	Satin Nickel or Aged Brass	29. Size of Back-Plate/Ceiling Rose (mm)	165 x 165
8. IP Rating	N/a	30. Main Material	Steel
9. Class	I	31. Power Cable Colour	N/a
10. Voltage	240v	32. Power Cable Length (mm)	4572
11. Wattage (1)	1 x Max 60w	33. Chain Length (mm)	N/a
12. Wattage (2)	N/a	34. Rod Length (mm)	2 x 304mm, 2 x 152mm
13. Lamp Holder Type (1)	1 x E27	35. PIR	No
14. Lamp Holder Type (2)	N/a	36. Switch Type and location	N/a
15. No. of Lamps	1	37. Connection Method	Terminal Block
16. Lamp Supplied	No	38. Plug Type	N/a
17. Dimmable?	Dependent on Lamp	39. Plug Colour	N/a
18. Lumen Output & Colour Temp	N/a	40. Product Weight (kg)	3.82
19. Overall Width/Diameter (mm)	355	41. Carton Dimensions (mm)	394 x 394 x 559
20. Overall Height (mm)	913 (As Shown)	42. Carton Weight (kg)	5.53
21. Overall Depth (mm)	355	43. Notes 1	
22. Minimum Drop	766	44. Notes 2	