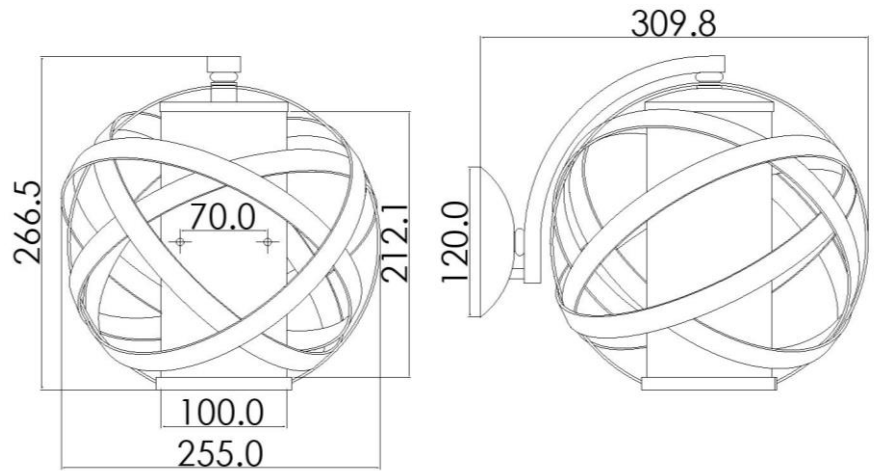
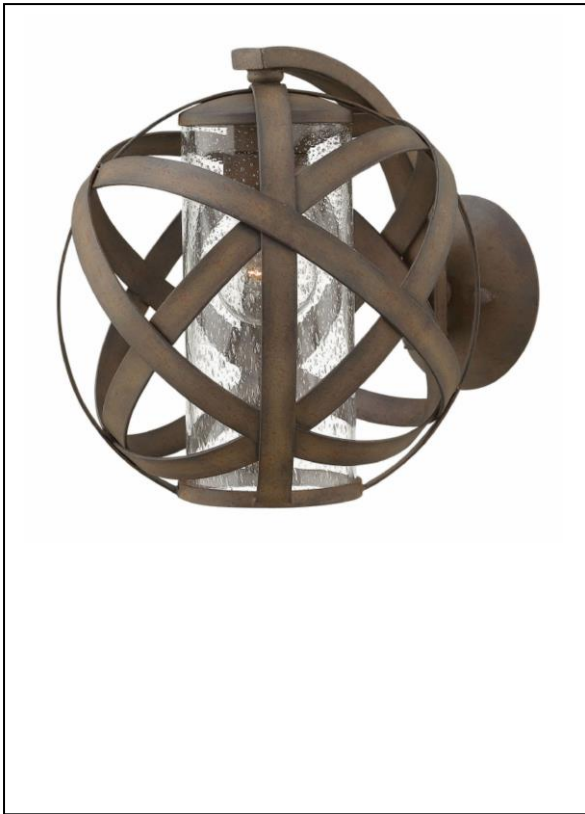


BRAND: Carson

STYLE: 1Lt Wall Light



1. Item Code	HK/CARSONI	23. Maximum Drop	N/a
2. Drawing No.	HK 29700VI Carson I	24. Adjustable?	No
3. Tested?	No	25. Shade/Glass Material	Clear Seedy Glass
4. Final Sign-Off Sample Done?	No	26. Shade Width (Mm)	100
5. Category	Outdoor	27. Shade Height (Mm)	212.1
6. Type	Wall Light	28. Shade Depth (Mm)	100
7. Finish	Vintage Iron	29. Size Of Back-Plate/Ceiling Rose (Mm)	120 x 120
8. Ip Rating	IP44	30. Main Material	Steel
9. Class	I	31. Power Cable Colour	N/A
10. Voltage	240v	32. Power Cable Length (Mm)	200
11. Wattage (1)	1 x Max 60w	33. Chain Length (Mm)	N/A
12. Wattage (2)	N/A	34. Rod Length (Mm)	N/a
13. Lamp Holder Type (1)	1 X E27	35. Pir	No
14. Lamp Holder Type (2)	N/A	36. Switch Type And Location	N/A
15. No. Of Lamps	1	37. Connection Method	IP44 Terminal Block
16. Lamp Supplied	No	38. Plug Type	N/A
17. Dimmable?	Dependent On Lamp	39. Plug Colour	N/A
18. Lumen Output & Colour Temp	N/A	40. Product Weight (Kg)	1.4
19. Overall Width/Diameter (Mm)	255	41. Carton Dimensions (Mm)	TBC
20. Overall Height (Mm)	266.5	42. Carton Weight (Kg)	TBC
21. Overall Depth (Mm)	309.8	43. Notes 1	
22. Minimum Drop	N/a	44. Notes 2	