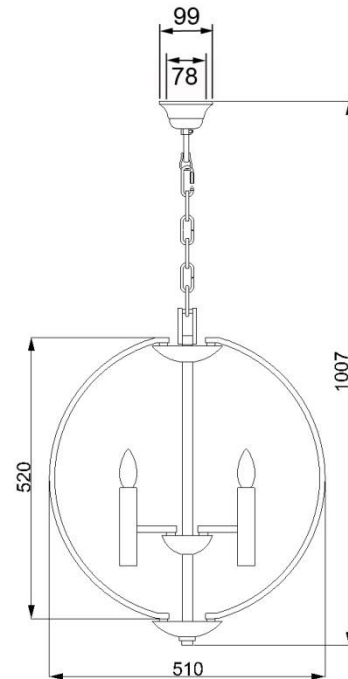


**BRAND: Euclid**
**STYLE: 3 arm chandelier**


1. Item Code	HK/EUCLID3P	23. Maximum Drop	3947mm
2. Drawing No.	HK 3463 Euclid 3P	24. Adjustable?	Yes – by chain length
3. Tested?	No	25. Shade/Glass Material	N/A
4. Final Sign-off Sample Done?	No	26. Shade Width (mm)	N/A
5. Category	Indoors	27. Shade Height (mm)	N/A
6. Type	Chandelier	28. Shade Depth (mm)	N/A
7. Finish	Spanish Bronze	29. Size of Back-Plate/Ceiling Rose (mm)	99mm diameter
8. IP Rating	N/A	30. Main Material	Mild steel
9. Class	I	31. Power Cable Colour	Brown
10. Voltage	240v	32. Power Cable Length (mm)	4250
11. Wattage (1)	3 x 60w max	33. Chain Length (mm)	3048
12. Wattage (2)	N/A	34. Rod Length (mm)	N/A
13. Lamp Holder Type (1)	E14	35. PIR	No
14. Lamp Holder Type (2)	N/A	36. Switch Type and location	N/A
15. No. of Lamps	3	37. Connection Method	Terminal block
16. Lamps Supplied	No	38. Plug Type	N/A
17. Dimmable?	Depends on lamps used	39. Plug Colour	N/A
18. Lumen Output & Colour Temp	N/A	40. Product Weight (kg)	5.60
19. Overall Width/Diameter (mm)	510	41. Carton Dimensions (mm)	572mm x 191mm x 616mm
20. Overall Height (mm)	1007 (as shown)	42. Carton Weight (kg)	7.00
21. Overall Depth (mm)	510	43. Notes 1	
22. Minimum Drop	916	44. Notes 2	