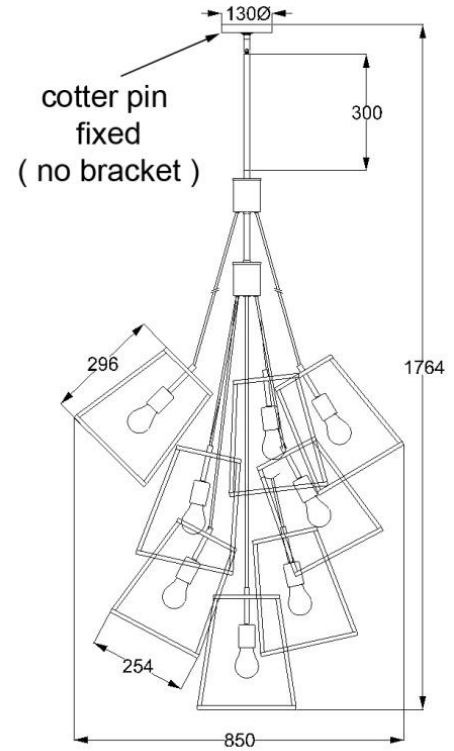


BRAND: Fulton

STYLE: 13 light chandelier



1. Item Code	HK/FULTON/13P	23. Maximum Drop	2379mm
2. Drawing No.	HK 3358 Fulton 13P	24. Adjustable?	Yes - height, by extension rods
3. Tested?	No	25. Shade/Glass Material	N/A
4. Final Sign-off Sample Done?	No	26. Shade Width (mm)	N/A
5. Category	Indoors	27. Shade Height (mm)	N/A
6. Type	Pendant	28. Shade Depth (mm)	N/A
7. Finish	BZ - Bronze	29. Size of Back-Plate/Ceiling Rose (mm)	130mm diameter
8. IP Rating	N/A	30. Main Material	Mild steel
9. Class	I	31. Power Cable Colour	Gold
10. Voltage	240v	32. Power Cable Length (mm)	5700
11. Wattage (1)	13 x 60w max	33. Chain Length (mm)	N/A
12. Wattage (2)	N/A	34. Rod Length (mm)	1x457 and 1x305 and 1x152mm rods
13. Lamp Holder Type (1)	E27	35. PIR	No
14. Lamp Holder Type (2)	N/A	36. Switch Type and location	N/A
15. No. of Lamps	13pcs	37. Connection Method	Terminal block
16. Lamps Supplied	No	38. Plug Type	N/A
17. Dimmable?	Depends on lamps used	39. Plug Colour	N/A
18. Lumen Output & Colour Temp	N/A	40. Product Weight (kg)	13.15
19. Overall Width/Diameter (mm)	850	41. Carton Dimensions (mm)	915mm x 318mm x 915mm
20. Overall Height (mm)	1764 (as shown)	42. Carton Weight (kg)	16.43
21. Overall Depth (mm)	850	43. Notes 1	Supply with extension rods
22. Minimum Drop	1464	44. Notes 2	