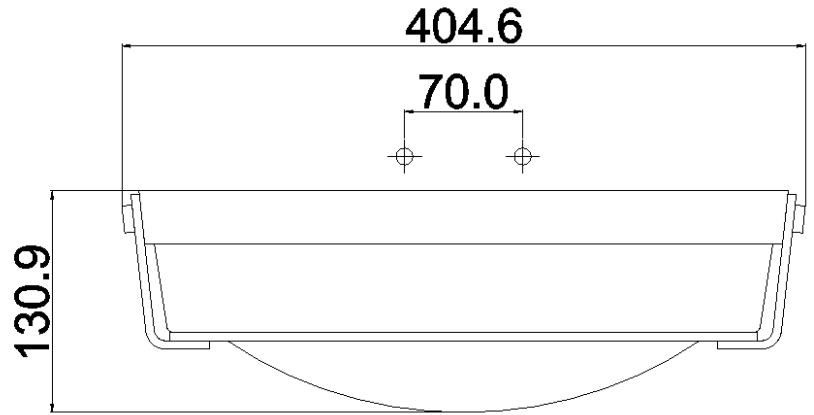


BRAND: HATHAWAY

STYLE: 3LT FLUSH



1. Item Code	HK/HATHWAY/F/M	23. Maximum Drop	N/A
2. Drawing No.	HK 3225 HATHAWAY FM	24. Adjustable?	NO
3. Tested?	No	25. Shade/Glass Material	ETCHED GLASS
4. Final Sign-off Sample Done?	No	26. Shade Width (mm)	367
5. Category	INDOORS	27. Shade Height (mm)	104
6. Type	FLUSH	28. Shade Depth (mm)	367
7. Finish	OLD BRONZE/ ANTIQUE NICKEL	29. Size of Back-Plate/Ceiling Rose (mm)	384 x 384
8. IP Rating	N/A	30. Main Material	STEEL AND GLASS
9. Class	I	31. Power Cable Colour	N/A
10. Voltage	230V	32. Power Cable Length (mm)	150
11. Wattage (1)	3 x MAX 60W	33. Chain Length (mm)	N/A
12. Wattage (2)	N/A	34. Rod Length (mm)	N/A
13. Lamp Holder Type (1)	3 x E27	35. PIR	NO
14. Lamp Holder Type (2)	N/A	36. Switch Type and location	N/A
15. No. of Lamps	3	37. Connection Method	TERMINAL BLOCK
16. Lamp Supplied	NO	38. Plug Type	N/A
17. Dimmable?	DEPENDANT ON LAMP	39. Plug Colour	N/A
18. Lumen Output & Colour Temp	N/A	40. Product Weight (kg)	4.15
19. Overall Width/Diameter (mm)	404.6	41. Carton Dimensions (mm)	455 x 445 x 255
20. Overall Height (mm)	130.9	42. Carton Weight (kg)	5.5
21. Overall Depth (mm)	404.6	43. Notes 1	
22. Minimum Drop	N/A	44. Notes 2	