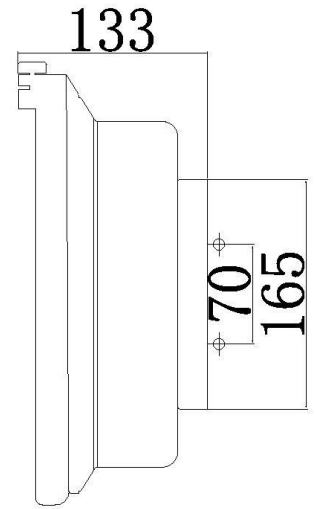
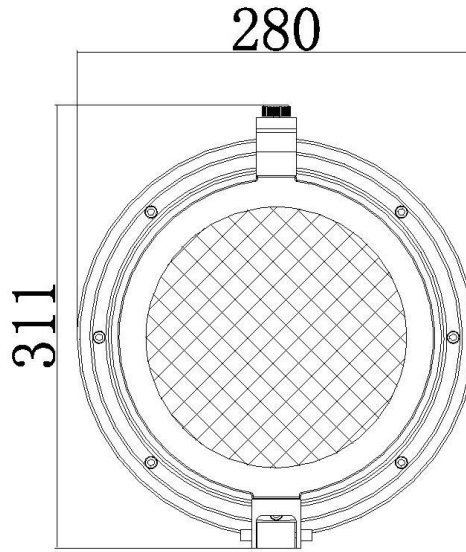


BRAND: CLEAR POINT

STYLE: ILT WALL LIGHT



| | | | |
|---------------------------------|--------------------|--|-----------------------------------|
| 1. Item Code | KL/CLEARPOINT | 23. Maximum Drop | N/A |
| 2. Drawing No. | 49263AZ Clearpoint | 24. Adjustable? | NO |
| 3. Tested? | No | 25. Shade/Glass Material | WIRE MESH CLEAR GLASS |
| 4. Final Sign-off Sample Done? | No | 26. Shade Width (mm) | 280 |
| 5. Category | OUTDOORS | 27. Shade Height (mm) | 311 |
| 6. Type | WALL LIGHT | 28. Shade Depth (mm) | 133 |
| 7. Finish | BRUSHED ALUMINUM | 29. Size of Back-Plate/Ceiling Rose (mm) | 165 X 165 |
| 8. IP Rating | IP44 | 30. Main Material | TBC |
| 9. Class | I | 31. Power Cable Colour | N/A |
| 10. Voltage | 240V | 32. Power Cable Length (mm) | 380 |
| 11. Wattage (1) | 1 X 75W | 33. Chain Length (mm) | N/A |
| 12. Wattage (2) | N/A | 34. Rod Length (mm) | N/A |
| 13. Lamp Holder Type (1) | 1 X E27 | 35. PIR | NO |
| 14. Lamp Holder Type (2) | N/A | 36. Switch Type and location | N/A |
| 15. No. of Lamps | 1 | 37. Connection Method | IP44 Terminal Block on 200mm Tail |
| 16. Lamp Supplied | NO | 38. Plug Type | N/A |
| 17. Dimmable? | DEPENDANT ON LAMP | 39. Plug Colour | N/A |
| 18. Lumen Output & Colour Temp | N/A | 40. Product Weight (kg) | 1.2 |
| 19. Overall Width/Diameter (mm) | 280 | 41. Carton Dimensions (mm) | 260 x 220 x 330 |
| 20. Overall Height (mm) | 311 | 42. Carton Weight (kg) | 1.8 |
| 21. Overall Depth (mm) | 133 | 43. Notes 1 | |
| 22. Minimum Drop | N/A | 44. Notes 2 | |