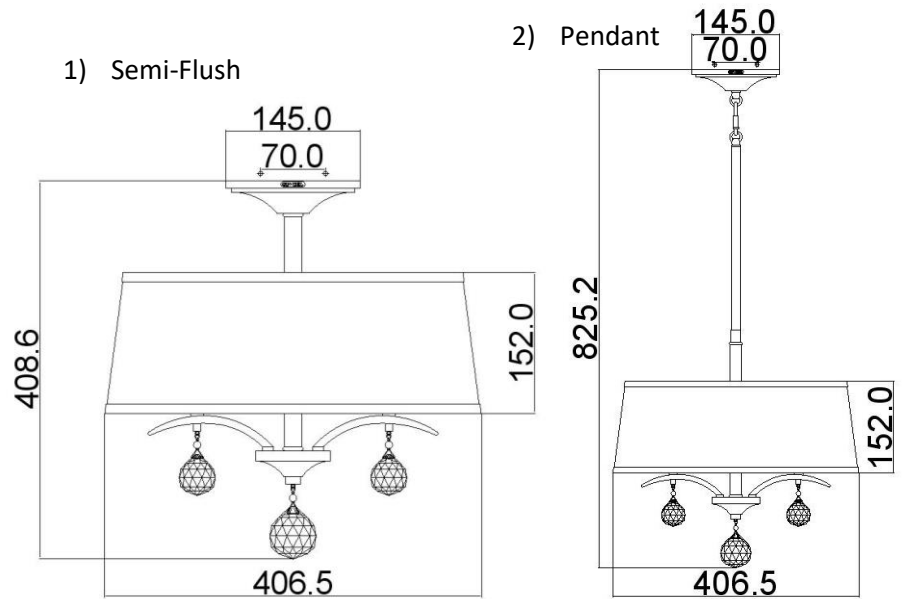


BRAND: WHITNEY
STYLE: 3LT SEMI FLUSH/ PENDANT


1. Item Code	QZ/WHITNEY/SF	23. Maximum Drop	1433 (Pendant)
2. Drawing No.	QZWHI1716IS REV-A - Whitney	24. Adjustable?	Yes – Height Adjustable
3. Tested?	No	25. Shade/Glass Material	WHITE ORGANZA SHADE
4. Final Sign-off Sample Done?	No	26. Shade Width (mm)	152
5. Category	INDOORS	27. Shade Height (mm)	406.5
6. Type	SEMI FLUSH/ PENDANT	28. Shade Depth (mm)	152
7. Finish	IMPERIAL SILVER	29. Size of Back-Plate/Ceiling Rose (mm)	145 X 145
8. IP Rating	N/A	30. Main Material	STEEL
9. Class	I	31. Power Cable Colour	N/A
10. Voltage	240V	32. Power Cable Length (mm)	Supplied with enough cable for pendant format
11. Wattage (1)	3 X 40W	33. Chain Length (mm)	N/A
12. Wattage (2)	N/A	34. Rod Length (mm)	2 x 304mm, 2 x 152mm
13. Lamp Holder Type (1)	3 X E14	35. PIR	NO
14. Lamp Holder Type (2)	N/A	36. Switch Type and location	N/A
15. No. of Lamps	3	37. Connection Method	TERMINAL BLOCK
16. Lamp Supplied	NO	38. Plug Type	N/A
17. Dimmable?	DEPENDENT ON LAMP	39. Plug Colour	N/A
18. Lumen Output & Colour Temp	N/A	40. Product Weight (kg)	2
19. Overall Width/Diameter (mm)	406.5	41. Carton Dimensions (mm)	670 X 480 X 265
20. Overall Height (mm)	408.6 (Semi-Flush)	42. Carton Weight (kg)	4
21. Overall Depth (mm)	406.5	43. Notes 1	Can be Flush or a Pendant
22. Minimum Drop	408.6	44. Notes 2	Supplied with Extension Rods