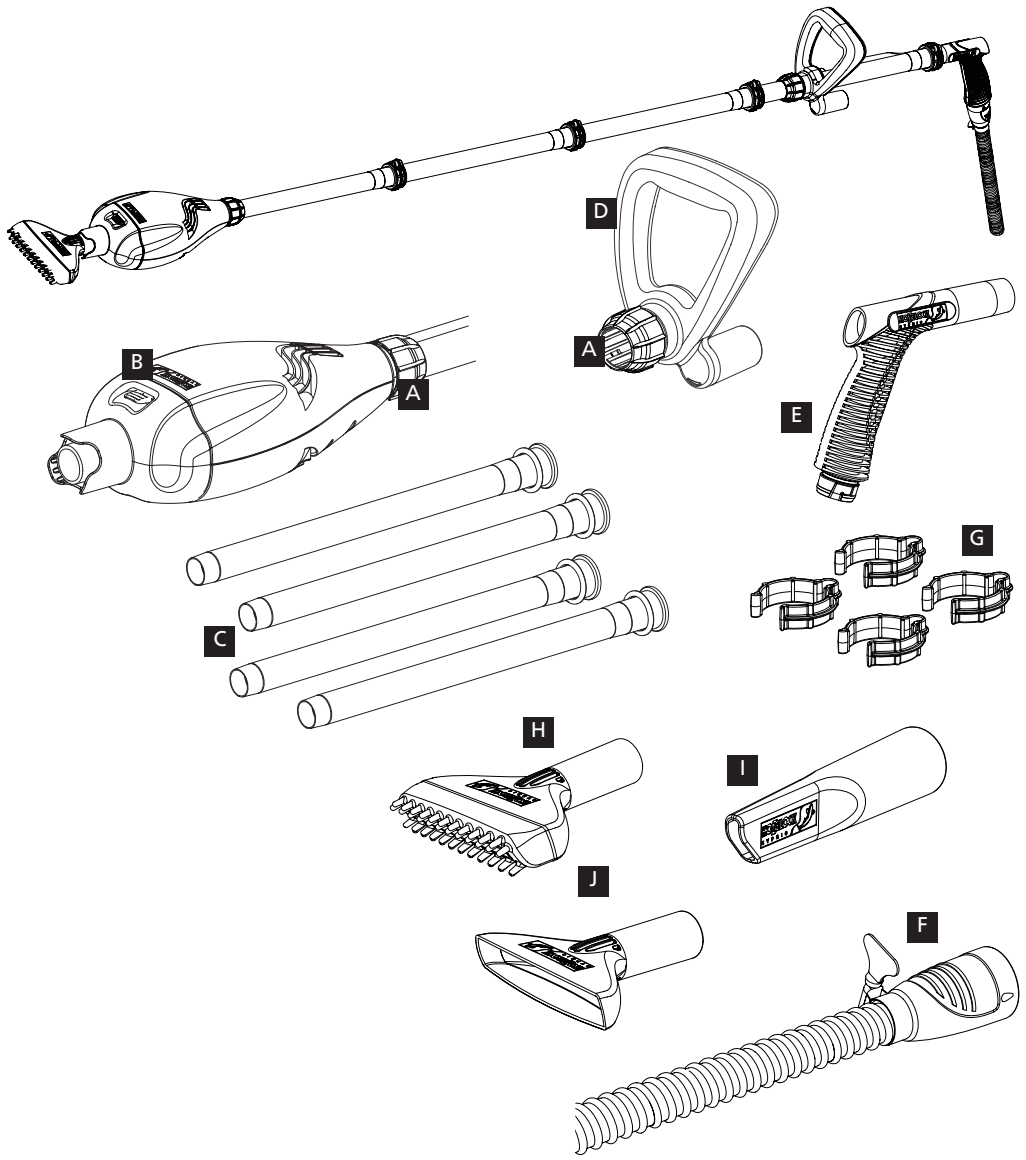


# Pond Vac



**Caution! Please keep these operating instructions in a safe place. Ensure that all operation and maintenance is carried out in line with these instructions.**

A	Nuts (x2)
B	Vacuum Unit
C	Tubes (x4)
D	Support Handle
E	Main Handle
F	Hose Adaptor & Waste Hose
G	Cable Clips (x4)
H	Wide Nozzle
I	Narrow Nozzle
J	Open Nozzle

## Intended use

The Pond Vacuum Pump is specifically designed to remove waste material from a pond. The minimum pond operating depth for the pond vacuum is 0.2m.

## Safety Information

The Pond Vacuum is intended only for pond cleaning purposes. Using the product for any other application may result in injury or product damage.

The appliance is not intended for use by persons (including children) with reduced physical, sensory or mental capabilities, or lack of experience and knowledge, unless they have been given supervision or instruction concerning use of the appliance by a person responsible for their safety. Children should be supervised to ensure that they do not play with the appliance.

The Pond Vacuum is fitted with a thermal fuse, which will switch off the Pond Vacuum if it overheats. If this occurs, switch off the power at the mains supply. Inspect the Pond Vacuum for possible cause and allow it to cool down for approximately 15 minutes. You may then continue to use the Pond Vacuum as normal.

**Note: The fuse will only reset once the temperature has dropped to a safe level, which in certain circumstances could take some time.**

The combination of water and electricity can lead to possible loss of life if the Pond Vacuum is incorrectly connected or misused. You must not be in the pond when operating the Pond Vacuum. A 10mA or 30mA Residual Current Device (RCD) must be fitted to the mains supply.

Always unplug or disconnect all appliances in the pond from the electricity supply before putting your hands in the water. Only use the Pond Vacuum when plugged into a correctly fitted earthed socket. Keep the power plug and all connections points dry! Do not operate or leave the Pond Vacuum in the rain. Never carry or pull the Pond Vacuum by the connection cable. Never operate the Pond Vacuum if the cable or housing are damaged! The supply cable cannot be replaced so if the cable

becomes damaged the Pond Vacuum should be discarded. Electrical installations at garden ponds must meet the international and national regulations valid for installers. Never open the Pond Vacuum housing or its associated components unless this is requested for in the operating instructions. The maximum head of the Pond Vacuum is 1.5m.

## Assembly of the Pond Vacuum

1. Insert the narrow end of one of the connecting tubes (C) into the opening at the rear of the Pond Vacuum head (B) and screw the nut (A) until hand tight.
2. Insert the narrow end of one of the connecting tubes (C) through the opening at the rear of the support handle (D). Position the handle as required and screw the nut (A) until hand tight. It is recommended that the support handle is always located on the tube furthest from the vacuum head.
3. Four tube sections are provided so that the length of the Pond Vacuum can be altered depending on the depth of pond to be cleaned. Tubes are connected together by inserting the narrow end of one tube into the wide end with plastic seal of another (C). Simply press the parts together until tight. Add or remove the tubes as necessary. Twist and pull the tubes to disassemble. **Caution!** Never use excessive force to assemble or disassemble the tubes as this may result in the tubes or seals being damaged!
4. The main handle (E) is attached to a tube by simply pushing the narrow end of the handle into the wide end of a tube (C) until tight. Twist and pull the handle to disassemble.
5. The hose adaptor (F) is attached to the main handle (E) via a bayonet fitting. Align the corresponding lugs on the handle and adaptor, push on and turn anti-clockwise until locked into place (see 5A). If when using the Pond Vacuum there is a leak in this area, re-position and tighten the winged hose clip as required (see 5).
6. The Pond Vacuum is provided with four cable tidy clips (G), which should always be fitted to keep the power cable secure along the tubes and prevent any safety issues. Firstly push the cable into the clip and then press this onto the plastic clip holder on the end of the tube (C). Use a clip for each section of aluminium tube used.
7. Nozzles are attached to the Pond Vacuum by pushing them on to the front of the vacuum head (See 7). **Caution!** Only use enough force so that the nozzle is held in position! When nozzles are not in use they can be stowed neatly away on the support handle (See 7A).

## Operation of Pond Vacuum

**Caution!** Take extra care when using the Pond Vacuum near any aquatic life!

Three alternative nozzles have been provided to give as much versatility to the Pond Vacuum as possible. The wide nozzle (H - Fig 7) is best for cleaning the base and sides of the pond whilst the narrow nozzle (I - Fig 7) is good for accessing corners and small areas of the pond. A further open nozzle (J - Fig 7) is provided specifically to extract larger debris from the pond e.g. small stones up to 8mm. **Warning!** Using this "open nozzle" may cause the Pond Vacuum to block more frequently. Select a nozzle and fit as described in section 7 of the assembly instructions.

With the Pond Vacuum fully assembled, place it directly next to the pond. Position the end of the plastic waste hose so that it goes to the desired waste point e.g. in a flowerbed or drain. **Note:** If the waste hose is not long enough it can be easily replaced by purchasing a suitable length of 25mm diameter spiral reinforced hose from any aquatics outlet. Now connect the power. **Caution! You should not let the Pond Vacuum run outside the pond more than a few seconds, as this will significantly reduce its life!**

Slowly place the Pond Vacuum into the water until the nozzle reaches the area to be cleaned ensuring it is fully submerged. After a few seconds dirty water should be seen flowing from the end of the waste hose.

If using the wide nozzle (H or J Fig 7), move the Pond Vacuum backwards and forwards in a smooth motion over the area to be cleaned trying not to disturb too much of the sediment which will cause the pond to become excessively cloudy. Continue until all the required waste has been removed. If using the narrow nozzle (I - Fig 7) carefully move the Pond Vacuum in to the area needing to be cleaned until all the necessary waste has been removed. **Caution! Do not force the narrow nozzle into the base or sides of the pond as this may cause damage to the liner!**

It is possible to clean shelves with the Pond Vacuum but it must be pumping first. To do this fully submerge the Pond Vacuum until water is being pumped. The Pond Vacuum can then be withdrawn from the pond up to the tip of the nozzle (but not completely clear of the water) allowing high shelves to be cleaned.

**Note:** When withdrawing the pond vacuum from the water it is normal to see water pumping out through the drain holes at the back of the vacuum head.

## Cleaning/Unblocking

**Caution!** Do not use the Pond Vacuum to remove long blanket weed, as this will clog the nozzles!

In the event that the Pond Vacuum should become blocked follow this procedure to unblock:

1. Withdraw the Pond Vacuum from the water and disconnect from the power supply.
2. Check the end of the nozzle and remove any debris that may be blocking it (See 8).

If debris was found to be blocking the nozzle, no further action is required and the Pond Vacuum can be used again. If not move on to step 3.

3. Remove the hose adaptor by twisting it one-quarter turn clockwise until free and gently pull downwards (See 9).
4. Check inside the hose adaptor for debris and remove it.
5. Also check inside the handle (See 9A) for any blockages.  
If debris was found to be causing a blockage in the adaptor or handle, no further action is required and the Pond Vacuum can be used again. If not move on to step 6.
6. Remove nozzle by twisting and pulling off (See 10). Remove the Pond Vacuums' front cover by pressing down the retaining clips and pulling the cover off (See 10A).
7. Remove the impeller chamber by pulling the assembly out (See 11)
8. Check that there is no debris/stones in the front, side or back of the chamber

(see 12). Remove any debris if necessary, rinsing the assembly in pond water and rotating the impeller to ensure it is free. Caution! The impeller chamber contains sharp blades and cannot be opened for safety reasons.

9. Debris may also be trapped in the main unit which can be removed by shaking it vigorously.
10. Reassemble ensuring all components are fitted together correctly.  
The Pond Vacuum should now be fully functional again. If not, please refer to the Trouble Shooting section of these instructions.

## Storage

Empty the Pond Vacuum of all water, clean after every use and store in a frost protected area.

## Hozelock Cyprio 3 Year Guarantee

If this Pond Vacuum becomes unserviceable within 3 years of the date of purchase it will be repaired or

replaced at our option free of charge, unless in our opinion it has been damaged or misused. Liability is not accepted for damage due to accident, improper installation or use.

Liability is limited to replacement of a faulty product. This guarantee is not transferable. It does not affect your statutory rights. To obtain the benefits of the guarantee, firstly contact Hozelock Cyprio Consumer Services who may request that the Pond Vacuum is sent along with proof of purchase directly to the address below.

**Hozelock Cyprio**  
Midpoint Park, Birmingham B76 1AB.  
England.



Your appliance contains valuable materials which can be recovered or recycled. Leave it at a local civic waste collection point

## Troubleshooting

Problem	Cause	Remedy
The Pond Vacuum is only pumping a very small amount of water	Excessive height difference between the surface of the pond and the main handle	Reduce the number of tubes used in shallow areas of the pond or lower the handle closer to the ground
	The Pond Vacuum is partly blocked	Try shaking the Pond Vacuum to remove the blockage. Follow the Unblocking section in these instructions
No water is being pumped by the Pond Vacuum	The Pond Vacuum has trapped air	Fully submerge the Pond Vacuum and shake to free any air that might be trapped. Alternatively, turn the Pond Vacuum over until all the trapped air is released
	The waste pipe is kinked	Check that the waste pipe has not been kinked
	The Pond Vacuum is blocked	Follow the Unblocking section in these instructions
	The power supply is not switched on	Check power supply, RCD, fuses and wiring
	The Thermal Protection has tripped	See Safety Information section in these instructions
	The Pond Vacuum has not been fully submerged	Ensure that the whole of the Pond Vacuum head is submerged below the surface of the water until water is being pumped

## F

**Attention ! Veuillez maintenir ces consignes d'utilisation dans un endroit sûr. Assurez-vous que toutes les opérations d'entretien soient effectuées en conformité avec ces instructions.**

Pièces détachées

A	Vis (x2)
B	Unité d'aspiration
C	Tubes (x4)
D	Poignée
E	Poignée principale
F	Adaptateur tuyau + Tuyau à déchets
G	Clips pour câble (x4)
H	Buse large
I	Buse étroite
J	Embout ouvert

## Utilisation prévue

Le Pond Vac est spécifiquement conçu pour enlever les déchets des bassins. Le profondeur minimum du bassin pour le bon fonctionnement de Pond Vac est de 0.2m.

## Instructions de sécurité

Pond Vac est prévu seulement pour le nettoyage des bassins. L'utilisation pour toute autre application peut impliquer des dommages sur le produit ou autre.

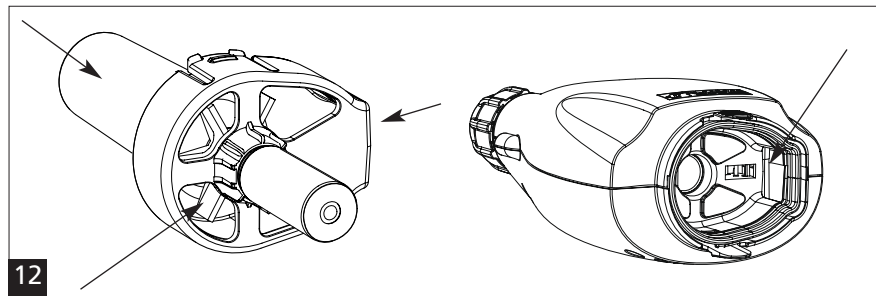
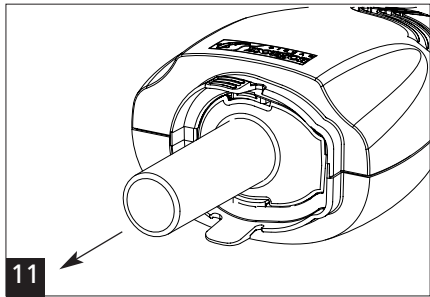
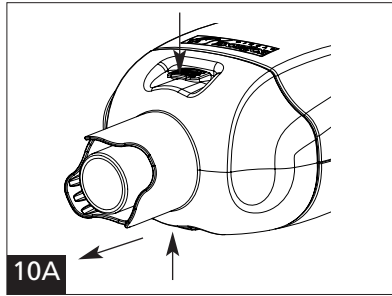
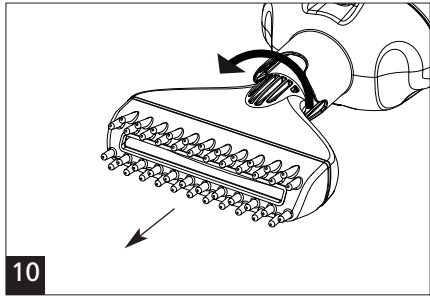
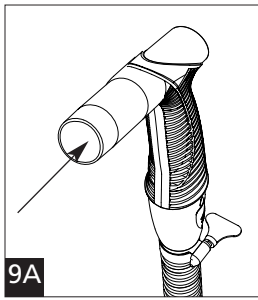
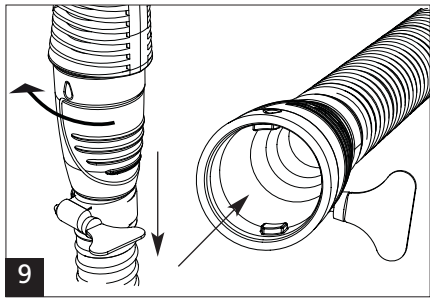
L'usage de l'appareil n'est pas prévu par des personnes (enfants inclus) avec des possibilités physiques, sensorielles ou mentales réduites, ou avec un manque d'expérience et de connaissance, à moins d'être sous surveillance et de respecter les instructions d'utilisation de l'appareil sous le contrôle d'une personne chargée de leur sûreté.

Les enfants doivent être surveillés pour s'assurer qu'ils ne jouent pas avec l'appareil.

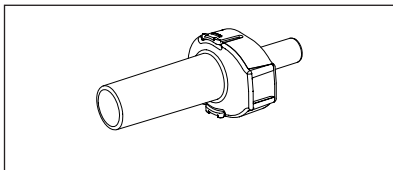
Pond Vac est équipé d'un fusible thermique, qui coupera l'appareil en cas de surchauffe. Si ceci se produit, coupez le courant au compteur. Contrôlez Pond Vac pour assurer la cause possible et laissez refroidir pendant approximativement 15 minutes. Vous pouvez alors continuer à employer Pond Vac normalement.

**Note : Le fusible se remettra à zéro seulement une fois que la température aura chuté à un niveau sûr, qui dans certaines circonstances pourrait prendre un certain temps.**

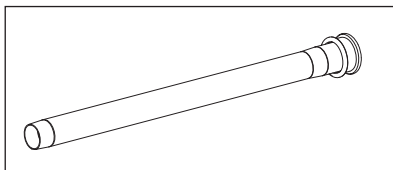
La combinaison de l'eau et de l'électricité peut mener à la perte de la vie si Pond Vac est incorrectement branché ou mal utilisé. Vous ne devez pas être dans le bassin lors de l'utilisation. Un dispositif 10mA ou



SPARES PARTS  
PIÈCES DÉTACHÉES  
ERSATZTEILE  
RESERVDELAR  
RESERVEONDERDELEN  
PIEZAS DE REPUESTO  
RESERVEDELER  
RESERVEDELE  
VARAOSAT  
PEZZI DI RICAMBIO  
PEÇAS SOBRESSELENTES  
CZĘŚCI ZAMIENNE  
ЗАПАСНЫЕ ЧАСТИ



Z12725



Z21724



Hozelock Cyprio  
Midpoint Park, Birmingham B76 1AB. England.  
Tel: +44 (0)121 313 1122  
[www.hozelock.com](http://www.hozelock.com)

The Aquatics Division of Hozelock Group

33791-000