


# Installation Sheet **KSR1505-1506**

Calvi  **E27 Bulkheads**

Read these instructions before commencing installation & retain them for future reference.

**IP44**   **240V 40W**

These fittings are Class II so does not require an Earth

## Important Information

It is recommended that luminaires are installed and fitted by a qualified electrician ensuring the installation complies to current IEE wiring regulations & local building control. Any damaged parts should be replaced as soon as possible. KSR will not accept responsibility for any claims arising from a sub-standard installation.

## Important User Advice

Always switch off mains supply before servicing.

## Installation Procedure

KSR recommend that you familiarize yourself with the connections.

Turn off mains supply.

Remove the screw that holds the rim to the back plate (Fig. 1)

Unclip and remove rim and diffuser, pass the supply cable through the grommet in the back plate and secure the back plate using suitable fixings for the substrate.

Terminate the supply cable into the lamp holder (Neutral - Blue and Live - Brown)

Re-fit diffuser and rim, replace screw to secure.

Turn on mains supply and test.

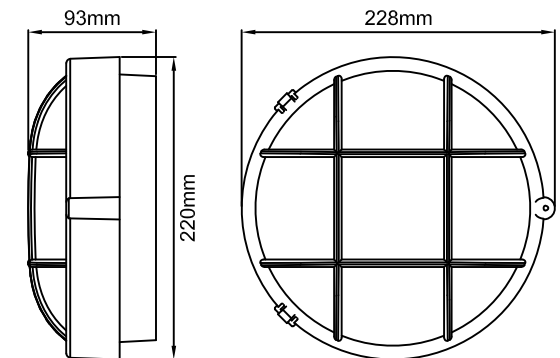
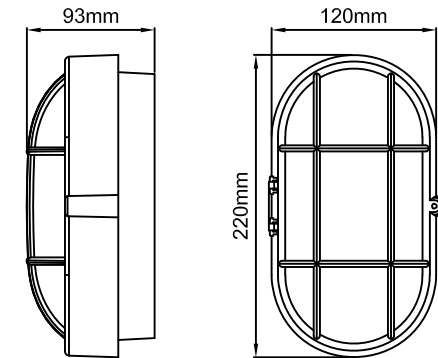
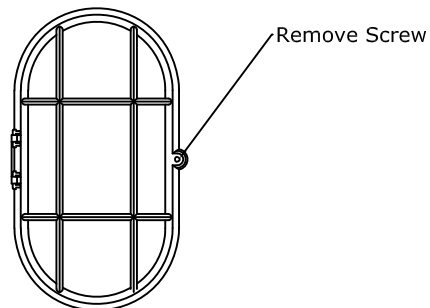
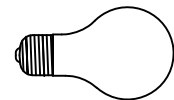


Fig. 1



## Lamp Details

Lamp Cap: E27 GLS  
Wattage: 40W (max)



KSR Lighting recommend only branded lamps  
For example: Sylvania, GE, Philips or Osram

KSR Lighting Aftersales: 023 92 674343  
E-mail: [aftersales@ksrlighting.com](mailto:aftersales@ksrlighting.com)

