



Flix Range

Exterior Wall Lighting



Data Sheet

Product Information

The Flix Outdoor Range are ideal for path lighting and feature lighting for commercial and domestic applications. With its adjustable head this range allows you to highlight features whilst maintaining uniform installations.

Supplied with an anthracite finish
Complete with a 2 year warranty

Product Features

- 2 year warranty
- Class I
- IP54
- 8.5w CREE LED technology
- Supplied in 3000K as standard
- 111° emitting beam angle
- 320° adjustable Head
- Strong Cast Aluminium Body
- L70-40,000hrs

KSR1908 – Wall Light version



www.ksrlighting.com

Product Specification

| Product Code | Product Description | Wattage (W) | CCT (K) | Lumens (lm) | CRI (Ra) | Energy Efficiency Class 2021 | Protection Class |
|--------------|--|-------------|---------|-------------|----------|------------------------------|------------------|
| KSR1908 | Flix 8.5w LED Adjustable Wall Light | 8.5w | 3000 | 330 | 85 | G | I |
| KSR1909 | Flix 8.5w LED Adjustable 300mm Bollard | 8.5w | 3000 | 330 | 85 | G | I |
| KSR1910 | Flix 8.5w LED Adjustable 650mm Bollard | 8.5w | 3000 | 330 | 85 | G | I |

| | |
|----------------------------------|-----------------|
| Nominal voltage | 100~240VAC |
| Operating frequency | 50/60Hz |
| Circuit Wattage | 7w Cree LED |
| Circuit Current | 0.075A |
| Driver mA Rating | 350mA |
| PFC | 0.47 |
| In Rush Current | 0.352A Max Peak |
| Ambient temperature range | -20°C to +40°C |
| IP rating | 54 |

Construction

Body: Cast Aluminium
Lens: Polycarbonate

Standards

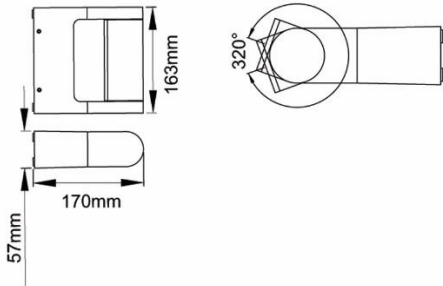
BSEN60598-1:2021 Luminaires – Part 1: General requirements and tests

In Conformity with

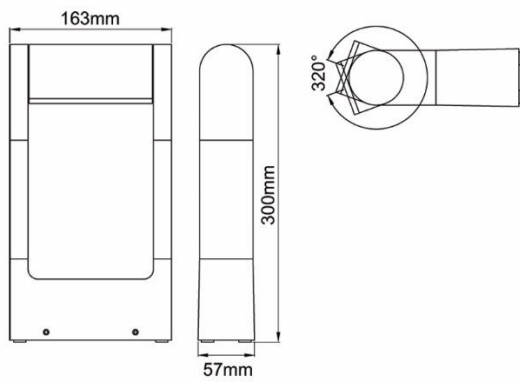
LVD Low voltage directive 2014/35/EU
EMC Electromagnetic compatibility directive 2014/30/EU
ERP Energy related products directive 2019/2020/EU
RoHS Restriction of hazardous substances 2015/863/EU

Product Dimensions

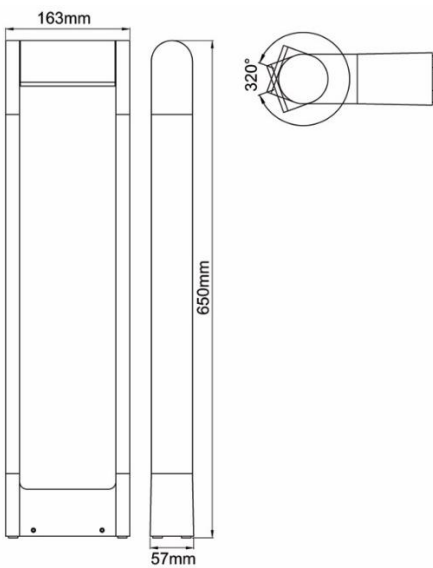
KSR1908



KSR1909



KSR1910



KSR Lighting is constantly developing and improving its products. For this reason, all product descriptions in this data sheet are intended as a general guide, and KSR may change specifications from time to time in the interest of product development, without prior notification or public announcement. All descriptions in this data sheet present only general particulars of the goods to which they refer and shall not form part of any contract. Data in this guide has been obtained in controlled experimental conditions. However, KSR Lighting cannot accept any liability arising from the reliance on such data to the extent permitted.