

Read these instructions before commencing installation. Please give these instructions to the owner/occupier after installation to retain for future reference/maintenance.

IP54 **UK CA** **CE** **240VAC~50Hz 8.5W**

These fittings are Class I and must be Earthed

Important Information

It is recommended that these luminaires are installed and fitted by a qualified electrician ensuring the installation complies with current IEE wiring regulations & local building control. These products are designed for connection to a 240V~50Hz supply. Any faulty, broken or damaged luminaires should be replaced immediately. KSR will not accept responsibility for any claims arising from a poor installation. Please Note: The limited warranty shall be deemed null and void in the following circumstances: Failure by the installer, end user or any third party to exercise caution to protect any covered product or part from outside damage, adverse temperature (normal operating ambient temperature -20 ~ +40°C), humidity conditions, fluctuations in the electrical system or physical abuse as well as failure related to workmanship in the installation of the products or parts.

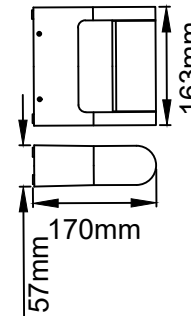
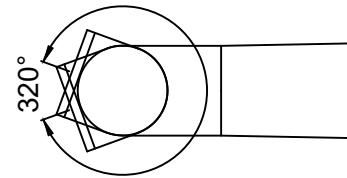
General Maintenance

These products are suitable for external use, general maintenance and cleaning should be performed at least quarterly. Clean product outer using a damp cloth, do not use abrasive cleaners as this may damage the finish. After any maintenance, remember to check all seals are intact. Always switch off mains supply before servicing. Do not use Megger or similar high voltage instruments. Due to the fact this luminaire contains electronic components that maybe damaged by high test voltages, they must be disconnected from the circuit before testing. To prevent damage to the driver, do not mix with conventional magnetic ballasts on the same electrical circuit. At the end of life the luminaire is classed as WEEE under directive 2014/30/EU and should be disposed of in accordance with local legislation.

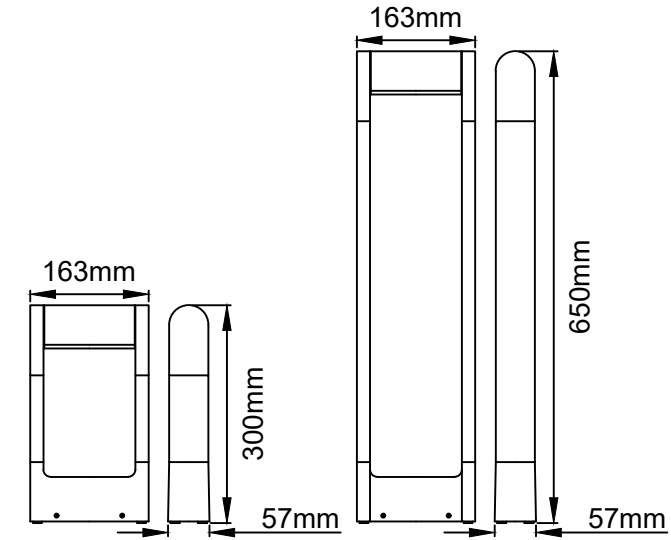
Installation Details

Safely isolate the mains supply. Loosen the four hex screws from the two sides of the wall light/bollard to release the baseplate. Pass the mains supply cable through the grommet in the baseplate ensuring a good watertight seal. This luminaire is not suitable for looping through. Fix the baseplate to the surface using suitable fixings. Connect the mains supply to the terminal block following the marking on the block and/or the guide in Fig.1 as below. Install the bollard on the baseplate and secure using the four hex screws. (KSR recommends using a suitable water repellent grease on the screws). Rotate the wall light/bollard head as required Fig. 2. Switch on the mains supply and test.

Fig.2



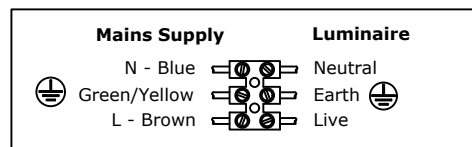
KSR1908



KSR1909

KSR1910

Fig.1



Lamp Details	
	Light Source: LED Module
	Wattage: 8.5W
	Lumens: 330
	Colour: 3000K
	CRI: Ra85
The light source of this luminaire is not replaceable; when the light source reaches its end of life the whole luminaire shall be replaced	



This product contains a light source of energy efficiency class G

KSR Lighting Aftersales: 023 92 674343
E-mail: aftersales@ksrlighting.com