



INSTALLATION & MAINTENANCE MANUAL

SK005A

GENERAL INSTRUCTIONS

These instructions should be read carefully and retained after installation by the end user for future reference and maintenance.

**These instructions should be used to aid installation of the following product:
SK005A**

SAFETY

- This product must be installed in accordance with the latest edition of the IEE Wiring Regulations (BS7671) and current Building Regulations. If in any doubt, consult a qualified electrician
- Please isolate mains prior to installation or maintenance
- Check the total load on the circuit (including when this product is fitted) does not exceed the rating of the circuit cable, fuse or circuit breaker
- Please note the IP (Ingress Protection) rating of this product when deciding the location for installation
- Do not overload this accessory or subject it to conditions outside its rating
- This product is Class I and must be earthed
- This product is IP54 rated (only when the product is in the closed position with no appliances attached)

INSTALLATION

Please note: the unit should be fixed to a rigid flat surface as unevenness could cause damage to the product or affect operation

- Provide power to the required point of installation (refer to BS7671 for correct cabling methods)
- Locate a suitable place to mount the product. We recommend a surface thickness of min. 10mm to max. 50mm
- Cut a 90mm hole in the surface allowing a 25mm clearance around the hole (see Fig. 1)
- Note: ensure there is sufficient space beneath the surface when the product is in the closed position

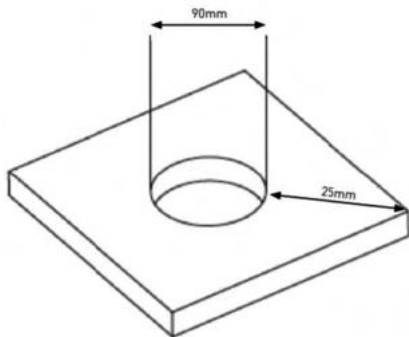


Fig. 1

- Remove the mounting collar and rubber gasket by rotating anti-clockwise
- Insert the product through the hole
- Put product in desired orientation and insert rubber gasket to bottom. Tighten the mounting collar to the underside of the surface (see Fig. 2)

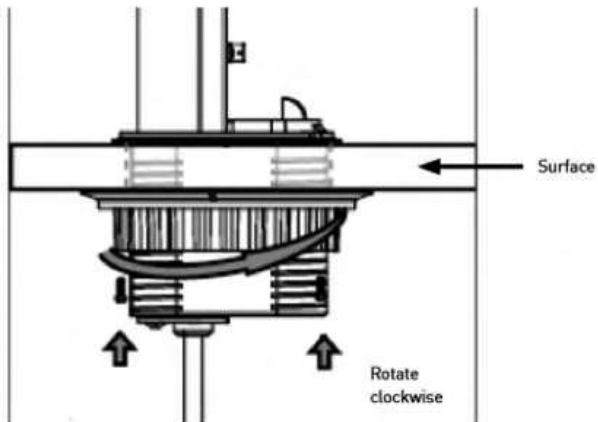


Fig. 2

- Connect to mains supply via the prewired cable and plug

OPERATION

- To raise the product, gently lift the handle on the top cover. Raise until it clicks, this means it's locked in position (see Fig. 3a)
- To lower the product, press the release button (see Fig. 3b)

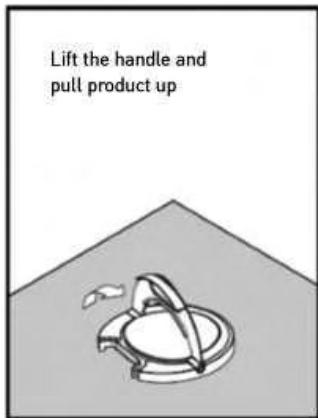


Fig. 3a

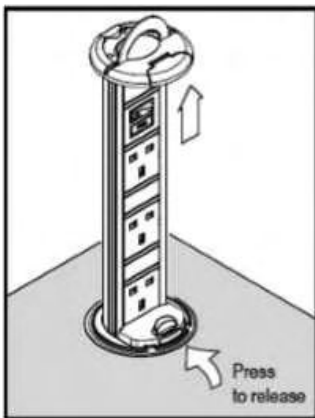


Fig. 3b

- Always use the handle to raise/lower the product (see Fig. 4)

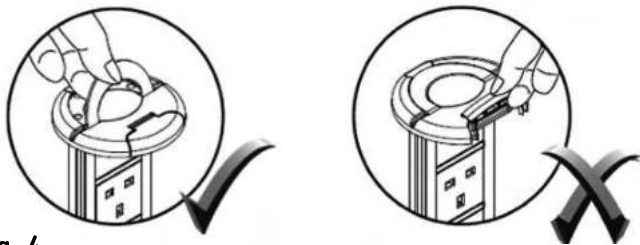


Fig. 4

SETTING UP BLUETOOTH SPEAKER

- When the fitting is switched on, the Bluetooth signal indicator will start flashing - at this point the fitting is discoverable (see Fig. 5)

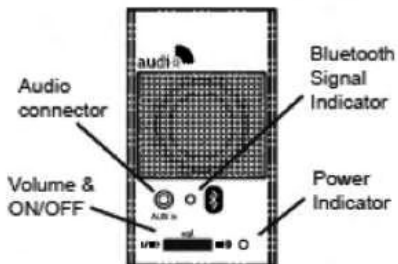


Fig. 5

- Turn on the Bluetooth on your device and search for devices
- Locate the fitting on the Bluetooth device list (called SPEAKER) and pair
- Once the device has paired successfully, an audible beep will be heard and the Bluetooth signal indicator will flash

WARNING

This product must be disconnected from the circuit if subjected to any high voltage or insulation resistance testing. Irreparable damage will occur if this instruction is not followed.

GENERAL

This product should be recycled in the correct manner when it reaches the end of its life. Check local authorities for where facilities exist.
Clean with a soft dry cloth, do not use any cleaning products or solvents which may damage the product.

WARRANTY

This product has a warranty of 1 year from date of purchase. Failure to install this product in accordance with the current edition of the IEE Wiring Regulations (BS7671), improper use, or removal of the batch code will invalidate the warranty. If this product should fail within its warranty period it should be returned to the place of purchase for a free of charge replacement. ML Accessories does not accept responsibility for any installation costs associated with the replacement product. Your statutory rights are not affected. ML Accessories reserve the right to alter product specification without prior notice..



Made in China

AKSEPT20_V3