

INSTALLATION & MAINTENANCE MANUAL

KIT4B / KIT4W

GENERAL INSTRUCTIONS

These instructions should be read carefully and retained after installation by the end user for future reference and maintenance.

**These instructions should be used to aid installation of the following products:
KIT4B / KIT4W**

SAFETY

- This product must be installed in accordance with the latest edition of the IEE Wiring Regulations (BS7671) and current Building Regulations. If in any doubt, consult a qualified electrician
- Please isolate mains prior to installation or maintenance
- Check the total load on the circuit (including when this product is fitted) does not exceed the rating of the circuit cable, fuse, or circuit breaker
- Please note the IP (Ingress Protection) rating of this product when deciding the location for installation
- This product is intended to be installed into decking or similar
- This product is Class II
- This product is IP44 rated

INSTALLATION

Note - If this product is being used in conjunction with an external PIR or sensor, please confirm with the manufacturer of the sensors that they are compatible with LED luminaires.

- A suitable 230V 50Hz IP rated socket outlet is required at the point of installation (refer to BS7671 for correct cabling methods). Suitable IP rated junction boxes should be used where required
- The power source connections should be local and accessible
- Cut a suitable hole in the mounting surface as per the cut-out details (see Fig. 1) ensuring not to infringe with any joists, gas/water pipes or electrical cables

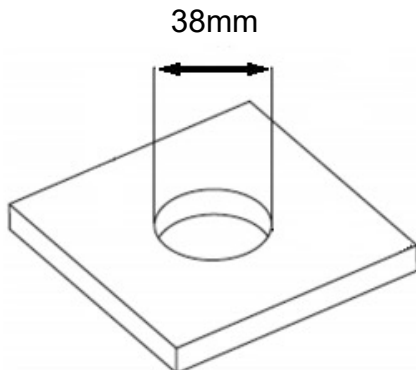


Fig. 1

- We recommend not installing in areas where there is a high risk of flooding or areas where water may sit on top of the fitting
- Feed the cable of each fitting through the holes and connect the pre-installed plugs into the splitter box (see Fig. 2)

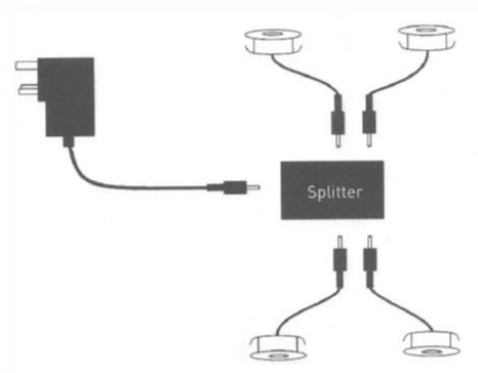


Fig. 2

- A 45mm minimum void beneath the luminaire is recommended
- When installing into decking, ensure there is enough clearance beneath, and that the cable and splitter box are not laying in water
- Secure the luminaires into the mounting surface
- Plug the 13A plug adaptor into a suitable socket outlet
- Switch on and check for correct operation

WARNING

This product must be disconnected from the circuit if subjected to any high voltage or insulation resistance testing. Irreparable damage will occur to the lamp if this instruction is not followed.

This product is not suitable for installation in or near a coastal or marine environment.

GENERAL

Clean the external surfaces with a damp cloth using a mild solution of detergent and warm water only, do not use aggressive cleaning products or solvents which may damage the product.

Do not use any source of high-pressure washers to maintain or clean this luminaire.

A light film of acid-free oil is recommended after installation and maintained periodically (2-3 times a year) to aid corrosion prevention.

This product is non-dimmable.

This product should be recycled in the correct manner when it reaches the end of its life.

Check local authorities for where facilities exist.

WARRANTY

This product has a warranty of 1 year from date of purchase. Failure to install this product in accordance with the current edition of the IEE Wiring Regulations (BS7671), improper use, or removal of the batch code will invalidate the warranty. If this product should fail within its warranty period, it should be returned to the place of purchase for a free of charge replacement. ML Accessories does not accept responsibility for any installation costs associated with the replacement product. Your statutory rights are not affected. ML Accessories reserve the right to alter product specification without prior notice.



ML
ACCESSORIES LTD



**UK
CA** **CE**



02

ML Accessories Limited LU5 4LT
www.mlaccessories.co.uk