

## VIRGO LED EMERGENCY BULKHEAD INSTRUCTIONS

### Issue 04 31<sup>st</sup> March 2016

**THANK YOU** for buying this product. To help ensure it gives complete satisfaction please install it according to these instructions and then pass the instructions to the appropriate person for retention and future reference.

**SAFETY.** This is a mains powered product. It is designed to be installed by suitably qualified personnel only and in accordance with the applicable building and electrical regulations. Before installation or maintenance the electrical supply to the product must be isolated.

**WARRANTY.** This product is warranted to be free of defects in materials, design and workmanship for 12 months from the date of purchase. If a suspected fault should develop in this time please contact your local distributor. This warranty does not extend to consumable items such as fuses & batteries.

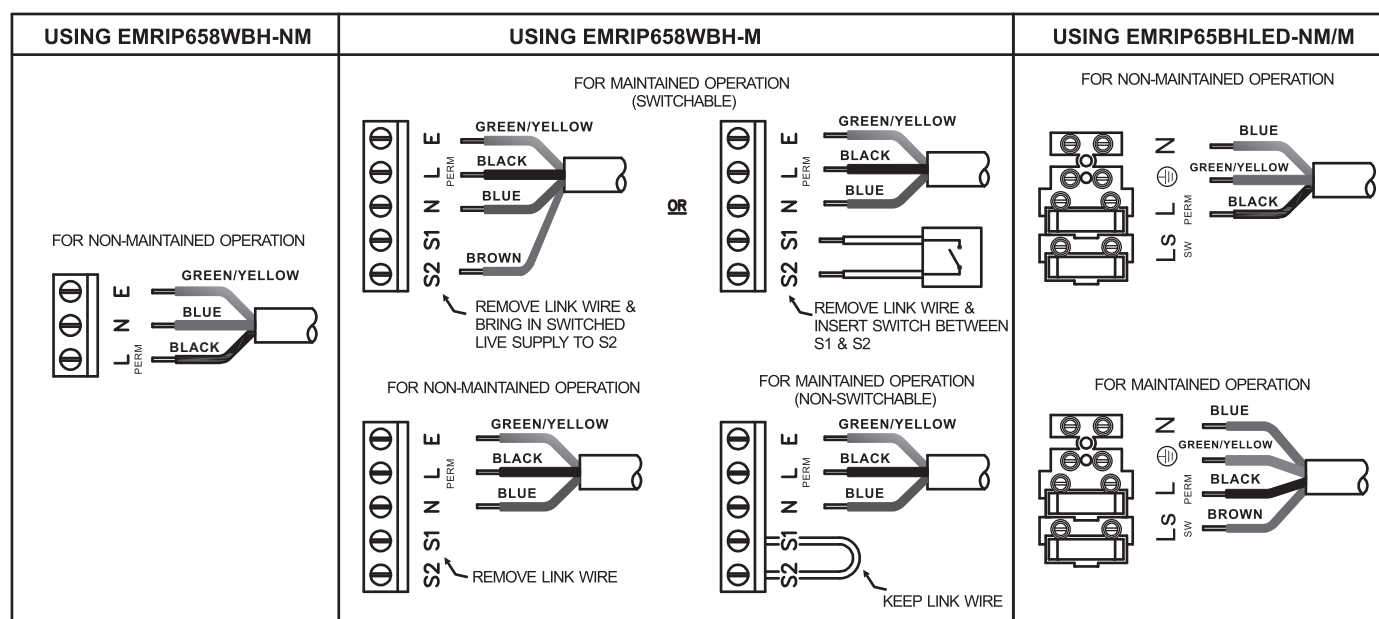
**INSTALLATION SUPPORT.** If installation advice or accessories are required please also contact your local distributor. When reporting a suspected fault or seeking installation support the problem is likely to be resolved most quickly if you have full product details to-hand, as well as details of when and where it was purchased.

#### LUMINAIRE INSTALLATION

1. Remove controller by unscrewing the two screws.
2. Hinge the gear tray open by unscrewing the two screws (located in the corners of the gear tray).
3. Select a suitable fixing method to secure the base to the chosen mounting surface. The base moulding contains various drill points to help – These can be drilled to a size to suit fixing screws.

**Note: It is responsibility of the installer to ensure these fixing points are sealed to ensure the IP65 rating is maintained. The use of a silicone sealant is recommended.**

4. Select one of the available cable entry points on the base (one on either end & also through the bottom) and drill to suitable size to suit IP65 rated (or better) cable entry gland.
5. Install cable entry gland.
6. Depending on which variant of the product you have, determine your required function & route the appropriate power supply cable to the terminal block & terminate as shown. **WARNING: THIS FITTING MUST BE EARTHED**



7. Tighten cable gland to seal & secure mains cable.
8. Connect the battery pack to the PCB by connecting the female socket on the battery wires to the male plug mounted on the PCB, ensuring the correct orientation.
9. Enter the "Installation Date" in the appropriate place on the battery pack label.
10. Hinge the gear tray closed & secure in position using the two screws, ensuring no wires are trapped.
11. Refit the controller & secure using the two screws.
12. Reconnect the power supply & check the green LED charge indicator illuminates.

#### RECESSED MOUNTING KIT INSTALLATION (OPTIONAL EXTRA)

1. Prepare ceiling by cutting suitable size aperture. We recommend 360mm x 125mm.
2. Bend springs up to vertical & push the back of the frame up through aperture, then allow the springs to snap back against the top of the ceiling to retain.
3. Drill out the two fixing points at 239mm centres in the base of the luminaire & then secure the base to the frame using 2-off M4 screws aligned with the tapped holes on the brackets of the frame.

**OPERATION / MAINTENANCE**

1. Nominal battery life is 4 years, after which time they should be replaced with a suitable equivalent.
2. This luminaire **MUST** be disconnected before the circuit it is installed on is subjected to any high voltage or insulation resistance testing, otherwise irreparable damage will occur to luminaire components.
3. Ensure cleanliness of luminaires is maintained so as not to affect performance.

**TESTING FOR EMERGENCY LUMINAIRES**

Recommended routine test procedures in line with BS 5266

**Monthly Functional Test**

- Simulate a mains supply failure by isolating the circuit (ensuring if it is safe to do so) or by way of a test key switch if fitted into the circuit.
- Do this for a period of time sufficient to check that the light source illuminates from the battery supply.
- Once complete, ensure the normal supply is restored & that the green LED charge indicator illuminates.
- Log result/comments in the Testing Log Book.

**Annual Discharge Test**

- Simulate a mains supply failure by isolating the circuit (ensuring if it is safe to do so) or by way of a test key switch if fitted into the circuit.
- This should be for the full 3-hour rated duration.
- Check that the light source illuminates & remains illuminated for the full rated duration period.
- Once complete, ensure the normal supply is restored & that the green LED charge indicator illuminates.
- Log result/comments in the Testing Log Book.

**TESTING LOG BOOK**

Luminaire Type: ..... Luminaire Location/No.: .....

MONTH	TEST	FIRST YEAR		SECOND YEAR		THIRD YEAR		FORTH YEAR		FIFTH YEAR	
		Signed	Date	Signed	Date	Signed	Date	Signed	Date	Signed	Date
1	FUNCTIONAL										
2	FUNCTIONAL										
3	FUNCTIONAL										
4	FUNCTIONAL										
5	FUNCTIONAL										
6	FUNCTIONAL										
7	FUNCTIONAL										
8	FUNCTIONAL										
9	FUNCTIONAL										
10	FUNCTIONAL										
11	FUNCTIONAL										
12	DISCHARGE										

Installed By: ..... Installed Date: .....

Contact Details: .....  
 .....