

LEDLITE™ Installation Sheet



LTP3CCTEM

SLIM LED POLO

IP54 Round Bulkhead
CCT Changeable / Tri Wattage
9W/14W/18W
c/w Emergency pack



These instructions should be read carefully and retained after installation for further reference and maintenance.

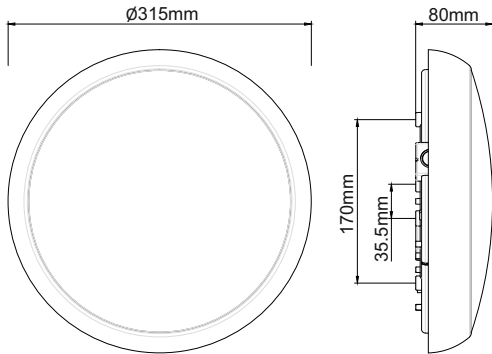
SAFETY

- Before installation, ensure that the mains supply to the luminaire is switched off and the circuit supply fuses are removed or circuit breaker turned off
- It is recommended that a qualified electrician is consulted or used for the installation of this luminaire and installed to the current edition of the IEE wiring regulations
- Check that the total load on the circuit, including this luminaire, does not exceed the rating of the circuit cable, fuse or circuit breaker


RATINGS

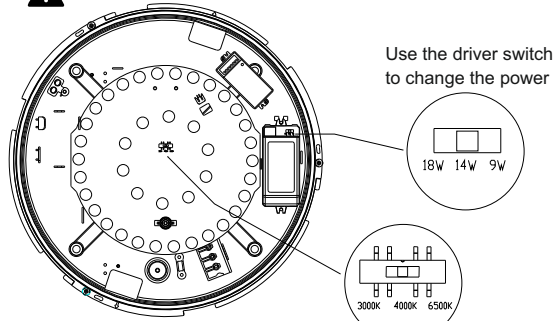
- This luminaire is of Class II construction and it does not require an earth connection
- IP54 rated
- F marked, suitable for installation on normal flammable surfaces
- Working situation: -20°C to 40°C
- 220-240V AC rated
- CE Approved

DIMENSIONS:



CCT & POWER ADJUSTABLE:

 Switch off the mains supply before changing power or CCT



Use the driver switch to change the power


Use the LED gear tray switch to change the CCT temperature

TECHNICAL SPECIFICATIONS:

- Input Voltage: 220-240V/AC
- Tri-Power Selectable: 9W / 14W / 18W
- Light Output: 9W - 900lm
14W - 1450lm
18W - 1850lm
- CCT Changeable (switch):
3000K/4000K/6500K
- CRI > 80
- IP Rating: IP54

- Protection Class: Class II
- Housing: PC Body & Diffuser
- Battery Type: LiFePO4 6.4V 1000mAh
- Charge Time ≥ 24h
- Duration > 180min
- Operating Temp.: -15°C to +40°C
- Dimensions: Diameter 315mm / depth 80mm
- Warranty: 5 years (3 years for battery)

INSTALLATION INSTRUCTIONS:

 Switch off the mains supply before installation.

