



# LED LITE™

Energy Saving LED

## LED Slim Polo Bulkhead CCT Changeable Tri Wattage



- 80mm Slim Design
- Tri Wattages 9W/14W/18W
- CCT Changeable
- Up to 1850lm
- Clip-on Trim Bezel
- IP54 Rating

Zero Maintenance Round Slim Polo LED Bulkhead, CCT Changeable and Tri-wattage changeable.  
Ideal for common areas of domestic and commercial environments:  
Multiple Blocks of Flats, Workshops, Garages, Warehouses, Sports Halls etc.

### Features:



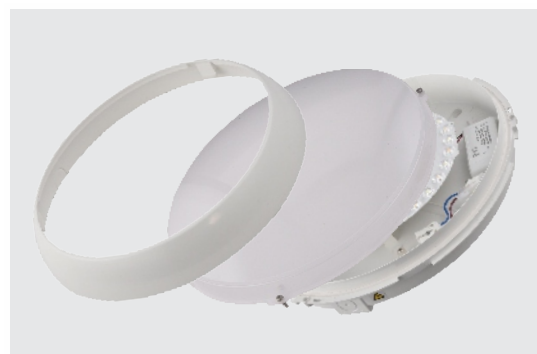
Easily accessible CCT & Power changeable switches



Multiple cable entries: central and two sides 20mm conduit



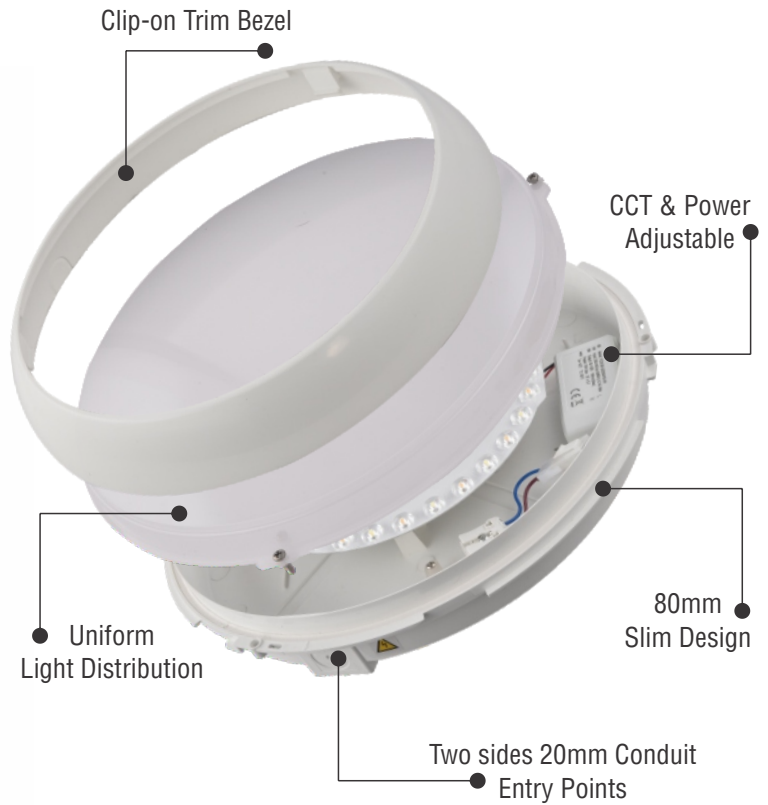
Hinged gear tray for easy access



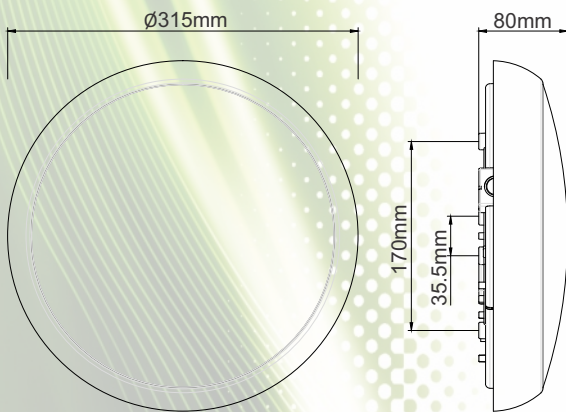
Clip-on Trim Bezel

### Technical Specifications:

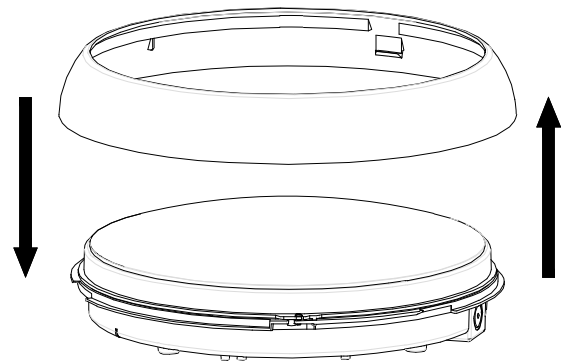
- Input Voltage: 220-240V/AC
- Tri-Power Selectable: 9W/14W/18W
- Light Output: 9W - 900lm
  - 14W - 1450lm
  - 18W - 1850lm
- CCT Changeable (switch):
  - 3000K/4000K/6500K
- CRI >80
- IP Rating: IP54
- Protection Class: Class II
- Housing: PC Body & Diffuser
- Operating Temperature: -15°C to +40°C
- Emergency Version available - **LTP3CCTEM**
  - Battery Type: LiFePO4 6.4V 1000mAh
  - Charge Time: 24 Hours
  - Emergency Duration > 180min
- Warranty: 5 years (3years for battery)



### Dimensions:



### Clip-on Trim Bezel:



### CCT & Power Adjustable:

