



## LTP3CCT

## SLIM LED POLO

IP54 Round Bulkhead  
CCT Changeable / Tri Wattage  
9W/14W/18W



These instructions should be read carefully and retained after installation for further reference and maintenance.

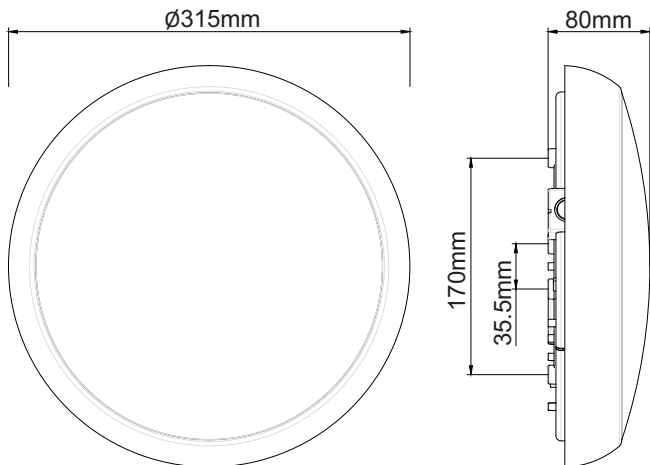
### SAFETY

- Before installation, ensure that the mains supply to the luminaire is switched off and the circuit supply fuses are removed or circuit breaker turned off
- It is recommended that a qualified electrician is consulted or used for the installation of this luminaire and installed to the current edition of the IEE wiring regulations
- Check that the total load on the circuit, including this luminaire, does not exceed the rating of the circuit cable, fuse or circuit breaker


### RATINGS

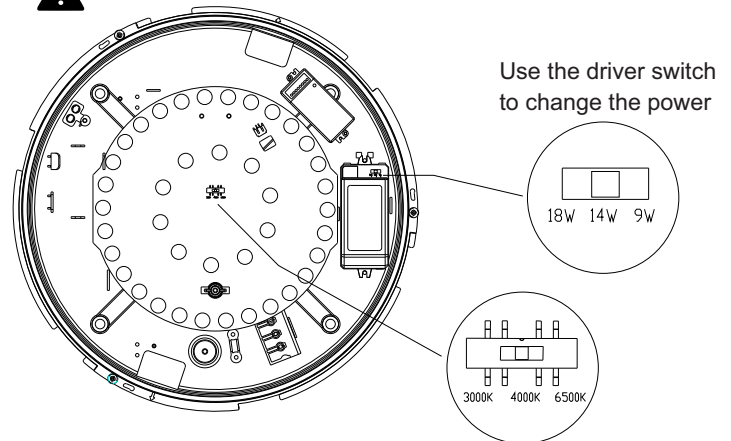
- This luminaire is of Class II construction and it does not require an earth connection
- IP54 rated
- F marked, suitable for installation on normal flammable surfaces
- Working situation: -20°C to 40°C
- 220-240V AC rated
- CE Approved

### DIMENSIONS:

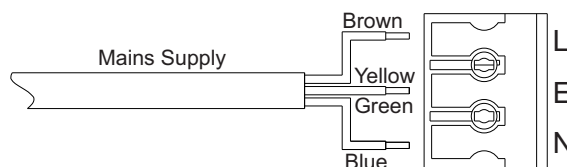


### CCT & POWER ADJUSTABLE:

 Switch off the mains supply before changing power or CCT



### WIRING DIAGRAM:



### TECHNICAL SPECIFICATIONS:

- Input Voltage: 220-240V/AC
- Tri-Power Selectable: 9W / 14W / 18W
- Light Output: 9W - 900lm  
14W - 1450lm  
18W - 1850lm
- CCT Changeable (switch):  
3000K/4000K/6500K
- CRI > 80
- IP Rating: IP54
- Protection Class: Class II
- Housing: PC Body & Diffuser
- Operating Temp.: -15°C to +40°C
- Dimensions: Diameter 315mm / depth 80mm
- Warranty: 5 years

# INSTALLATION INSTRUCTIONS:

⚠ Switch off the mains supply before installation.

