

RGB Ultra Slim COB LED Floodlights

IP66  220-240V

Please read these instructions before commencing installation & retain them for future reference.

Important information


It is recommended that floodlights are installed by a qualified electrician ensuring the installation complies to current IEE wiring regulations & local building control.

- These products are designed for connection to a 220-240V mains supply.
- Any broken or damaged parts should be replaced as soon as possible.
- We will not accept responsibility for any claims arising from a poor installation.

SPECIFICATIONS:

- **Voltage range:** 220-240 V/AC
- **Frequency:** 50/60 Hz
- **Power:** 10W, 30W, 50W
- **Protection against electric shock:** Class I. Requires earth connection
- **Ingress Protection:** IP66
- **Quality/Corrosive rating:** Suitable for commercial use and indoor/outdoor applications
- **Material:** Die cast Aluminium body with tempered glass diffuser
- **Ambient temperature range:** -20°C to +45°C

INSTALLATION INSTRUCTIONS:

 Always switch off mains supply before servicing.

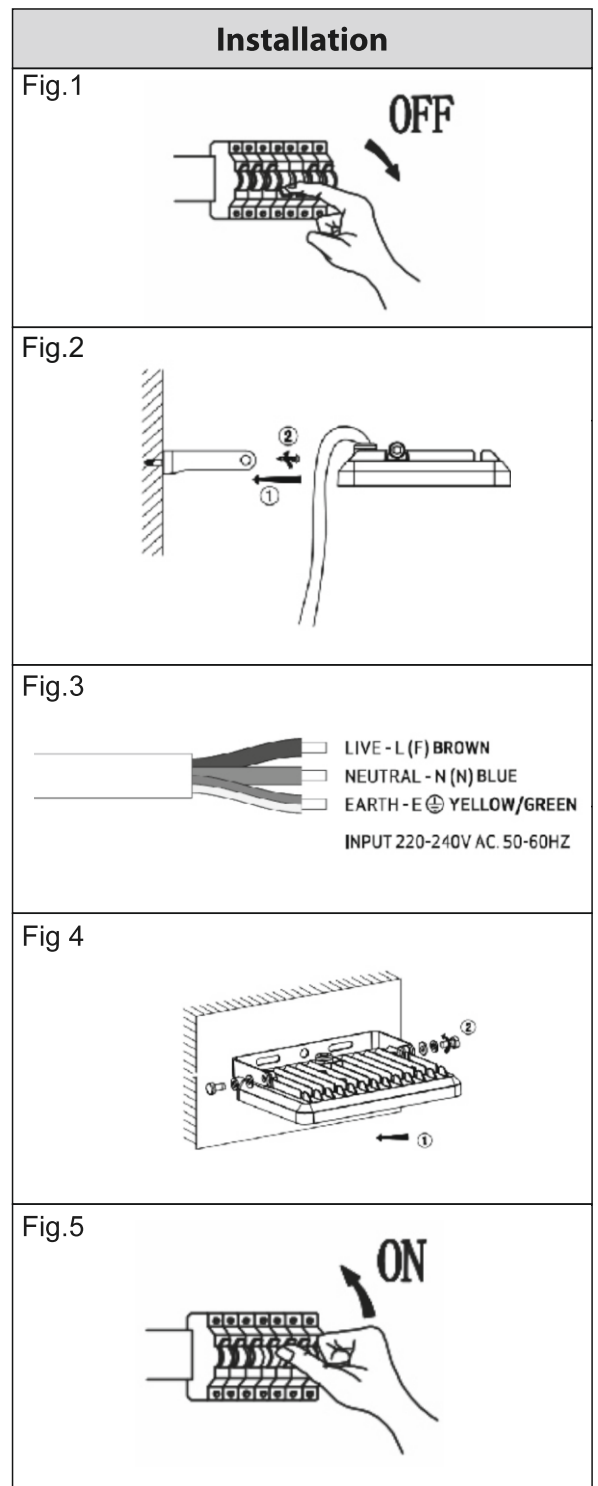
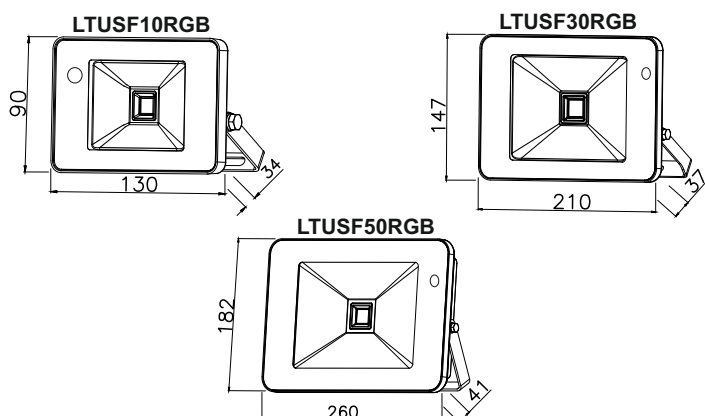
- Shut off Power. (Fig.1)
- Mount the bracket on the wall (Fig.2)
- Terminate loose ends of wire to an appropriate IP Rated junction box or similar, ensuring Live, Earth and Neutral polarities are observed. (Fig. 3)
 - Live - Brown/Red
 - Neutral - Blue/Black
 - Earth - Yellow/Green

- Connect the fitting to its bracket. (Fig.4)
- Turn On Power (Fig.5) and test the luminaire.

WARNING: Ensure all items and screws are secure and fitted correctly.

- This floodlight is not dimmable.
- Floodlights should not be connected in series.

DIMENSIONS(mm):



RGB Ultra Slim COB LED Floodlights

Remote Control Functions



- Control Distance: up to 10m
- Mode: 4 modes adjustable
- Brightness and speed adjustments
- Battery Type: CR2025

Remote Control Setup:

- Pull plastic protection from battery compartment to activate remote control (see Fig.6).
- The floodlight is controlled by the IR remote control. Please ensure the remote control aims at the lamp when changing colours or modes.
- If the IR remote control becomes insensitive after a period of time or the control distance becomes much shorter please replace the battery (see Fig.7).

All buttons on remote control have a memory function; after setting the fixture will keep working on the mode it was set, even after turning it OFF from mains.

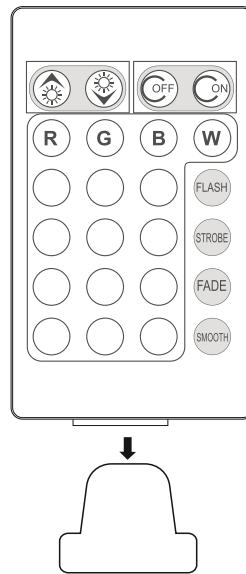


Fig.6

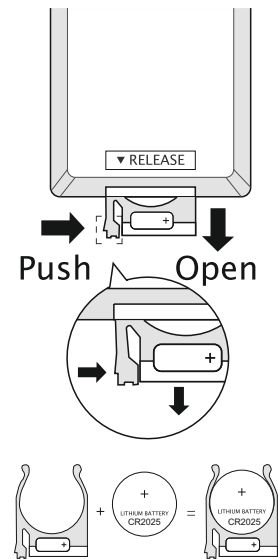
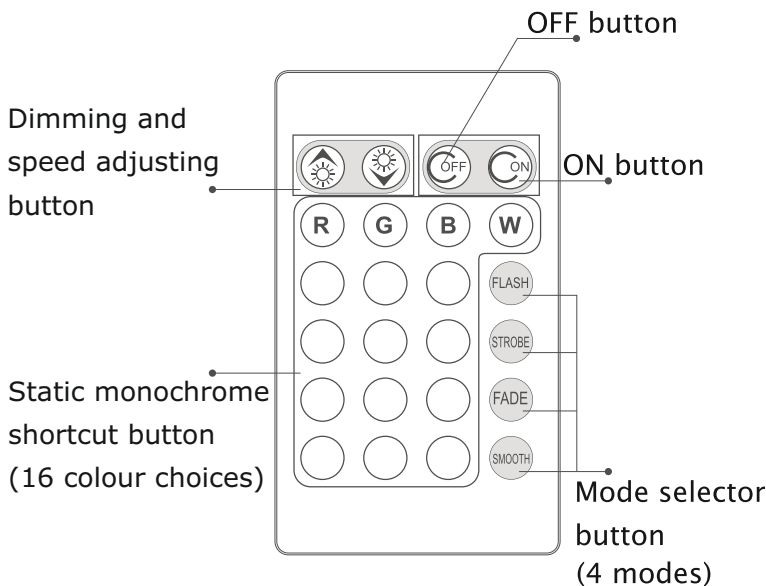


Fig.7

Remote Control Buttons:



- ON/OFF Button** - Switch the unit on or off.
- Dimming and Speed** - When in static monochrome mode use it to adjust the brightness; when the set mode is in FADE, STROBE, FLASH or SMOOTH it adjusts the speed
- Static Monochrome** - Use the buttons to directly select the desired colour (16 choices)
- FLASH** - Automatic change of colours (fast)
- STROBE** - Automatic jumping change of colours (slow)
- FADE** - Fast automatic change of colours with blending effect
- SMOOTH** - Slow automatic change of colours with blending effect