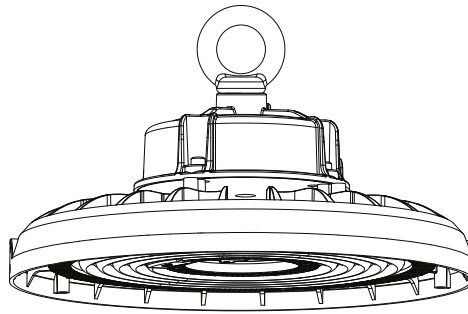


# LEDLITE™ Installation Sheet

**LED High Bay 200W  
CCT Changeable**

**LTHB200CCT**



**IP65 220-240V**

**Please read these instructions before commencing installation & retain them for future reference.**

**Important information**

It is recommended that 200W LED Highbay lights are installed by a qualified electrician ensuring the installation complies to current IEE wiring regulations & local building control.

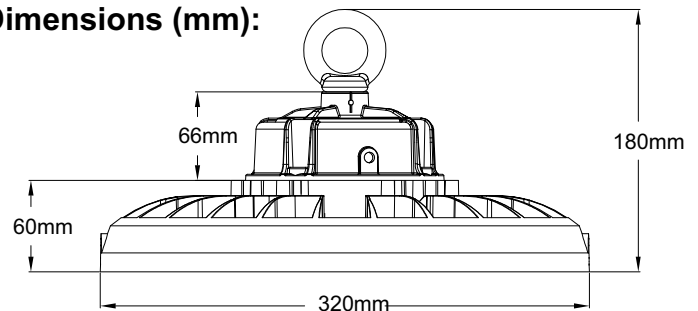
- These products are designed for connection to a 220-240V mains supply
- Any broken or damaged parts should be replaced as soon as possible
- We will not accept responsibility for any claims arising from a poor installation

**⚠ ATTENTION:**

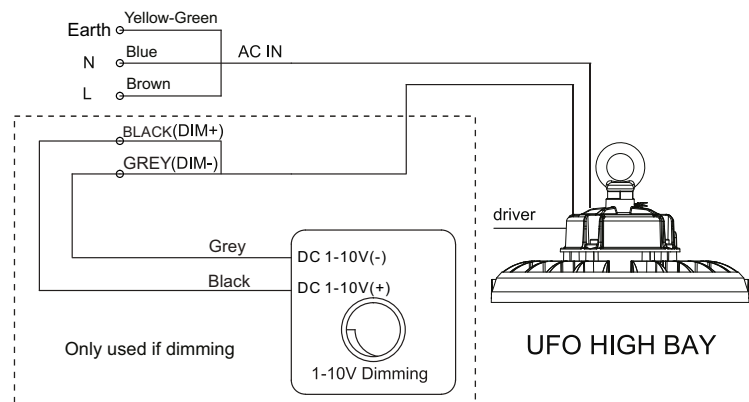
- This high bay comes with 1-10V dimming function
- You can use the dimming cable (+/-) if you want to use the dimming function
- Ignore the dimming cable if you don't want to use this function

SPECIFICATIONS:	
<b>Part Number:</b>	LTHB200CCT
<b>Power (W):</b>	200W
<b>Luminous Flux (lm):</b>	30000-34000lm
<b>Input Voltage:</b>	220-240V/AC
<b>CCT Changeable:</b>	3000K-4000K-5500K
<b>Material:</b>	Die-Cast Aluminium
<b>CRI</b>	>80
<b>Beam Angle:</b>	120°
<b>Dimming:</b>	Fixed Output / 1-10V
<b>Mounting:</b>	Hanging / Wall (optional bracket)
<b>Warranty:</b>	5 Years
<b>IP Rating:</b>	IP65

**Dimensions (mm):**



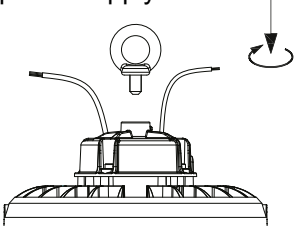
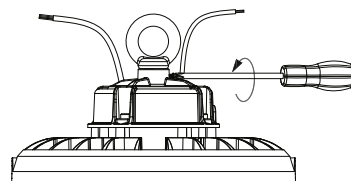
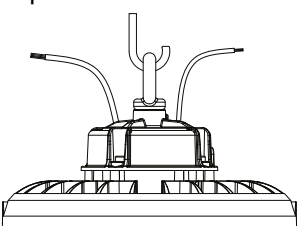
**Wiring Diagram:**



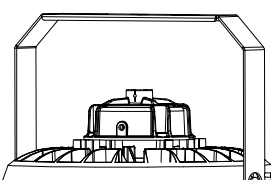
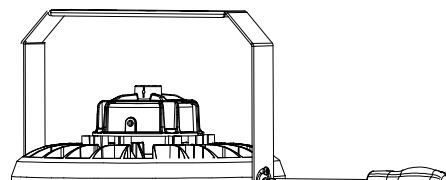
**Installation Notice**

- Always switch off mains supply before servicing
- Ensure 220-240V supply voltage
- Ensure correct wiring connection is made to input Live (Brown), Neutral (Blue) and Earth (Green and Yellow) wires
- If dimming (1-10V dimming compatible), connect a suitable dimmer switch to the driver as per the wiring diagram: Black wire is D+, Grey wire is D-
- LEDLITE recommends electrical connection to an RCD/RCBO protected lighting circuit
- After all electrical connections are finalised switch on electrical supply to test the light

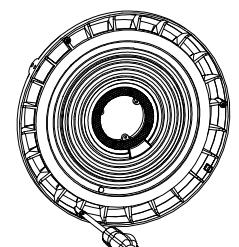
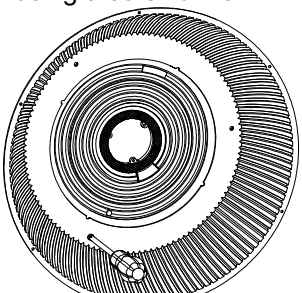
**a. Pole Mount Installation Procedure**

<p>1. Install the hoop ring on the power supply.</p> 	<p>2. Tighten its side screws using a screwdriver.</p> 	<p>3. Install the high bay on the hook or suspension cable.</p> 
--	--	---

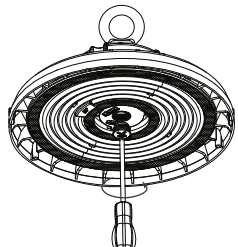
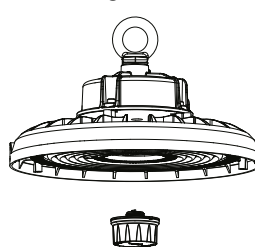
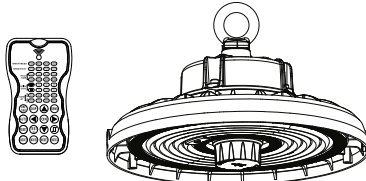
**b. U bracket Installation Procedure (optional extra - LTHBUB)**

<p>1. Align the bracket with the UFO High bay</p> 	<p>2. Install the screws and tighten with a screwdriver to finish the installation</p> 
---	---

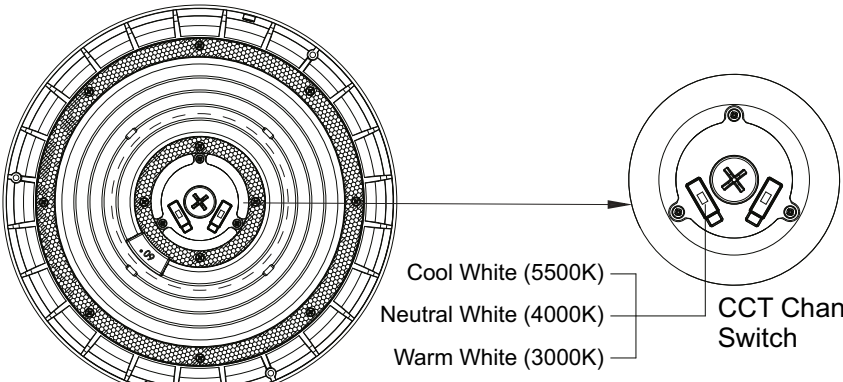
**c. 90° PC Reflector Installation Procedure (optional extra - LTHBREF)**

<p>1. Use a screwdriver to remove the reflector screws from the high bay</p> 	<p>2. Align the screw holes, insert the screws and tighten the reflector using a screwdriver.</p> 
--	--

**d. PIR Sensor Installation Procedure (optional extra - LTHBPIR)**

<p>1. Unscrew the sensor base plug.</p> 	<p>2. Install the sensor on the sensor base and tighten it.</p> 	<p>3. Use the remote control to set up the sensor. (optional extra - LTHBREM)</p> 
---	---	---

**e. CCT Adjustable function**



Cool White (5500K)  
Neutral White (4000K)  
Warm White (3000K)

CCT Changeable Switch