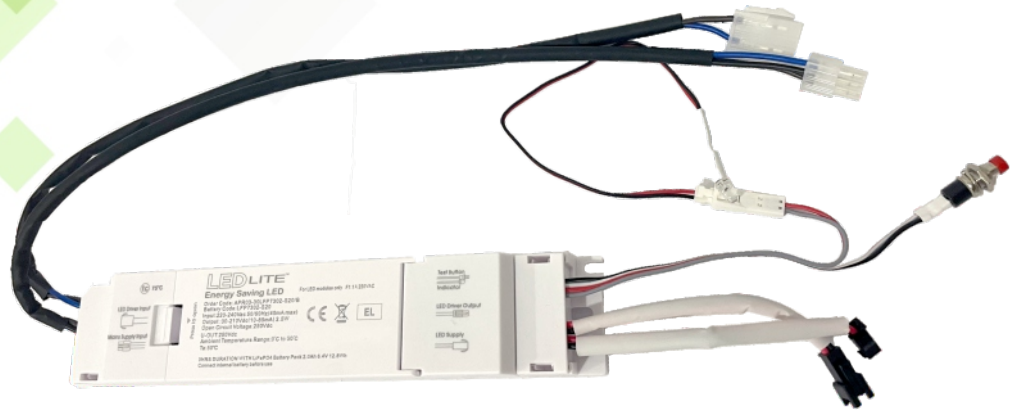


**LEDLITE™**  
Energy Saving LED

**LTWPEM**

**Emergency Kit Add On**  
for use with LTWPLED Fittings



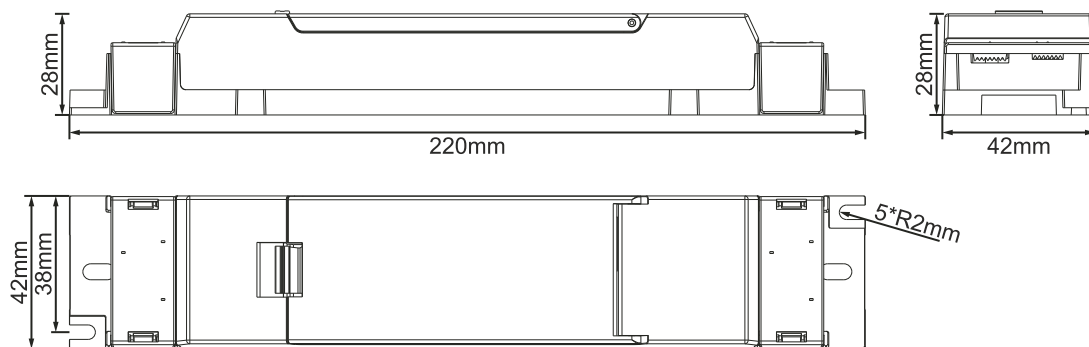
**IP20**

Plug & play emergency kit for LTWPLED non corrosive weatherproof LED fittings (sold separately).

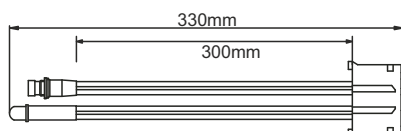
**Features:**

- For maintained or non-maintained emergency lighting systems
- Easy plug & play install between driver and LED module via internal plugs
- Over 3 hours rated duration
- Replaceable internal LiFePO4 battery pack
- Over-charge, over-current, short-circuit and deep discharge protection for battery
- Test Button for a quick functional test
- Green charging status LED
- Constant power output
- Conforms to EN 61347-1, EN 61347-2-7 and EN 61347-2-13
- Voltage change-over threshold according to EN 60598-2-22

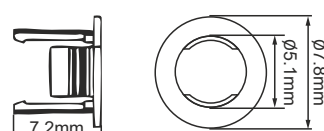
**Dimensions:**



**INDICATOR & TEST BUTTON CABLE:**



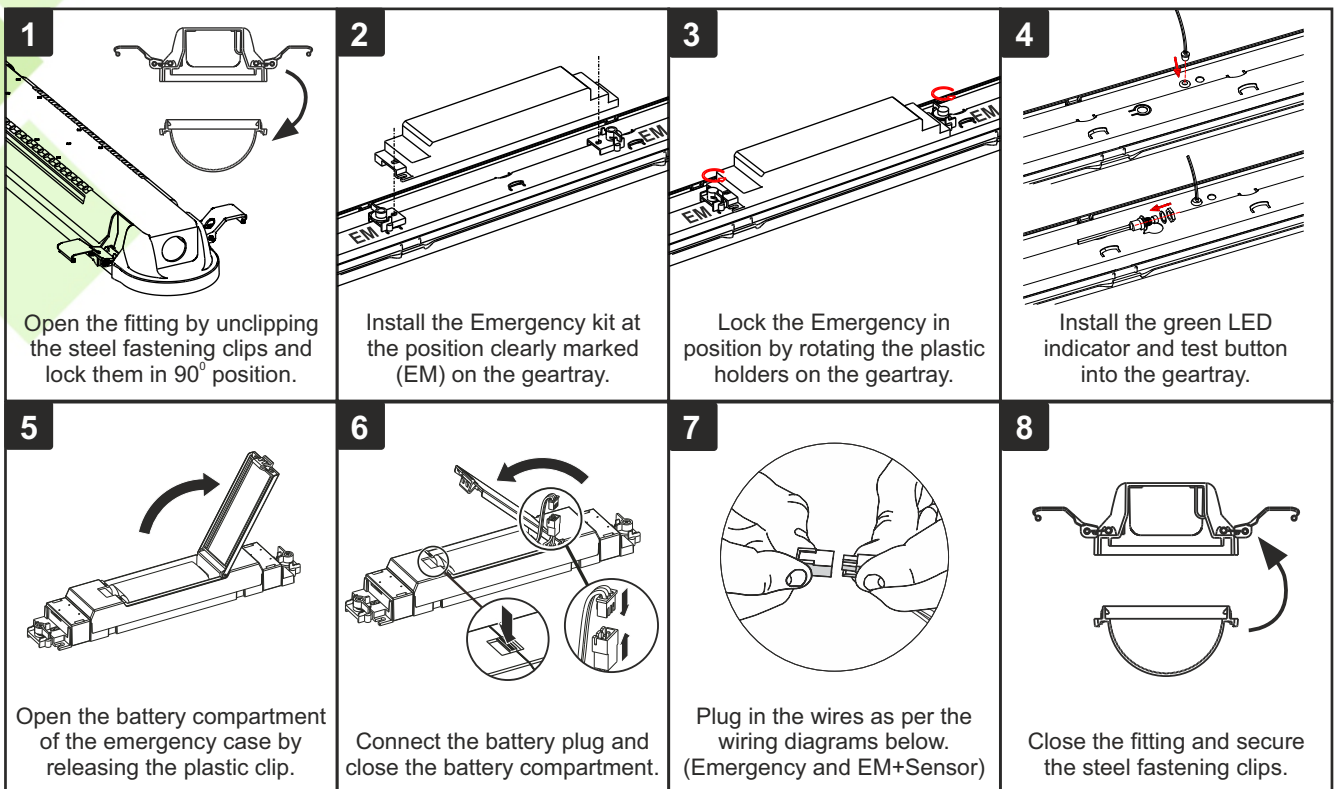
**INDICATOR HOLDER:**



## SPECIFICATIONS:

Output Wattage	2.5W	Emergency Operation Time	>3 h	Battery Type	LiFePO4 18730
Input Voltage	220-240Vac 50/60Hz	Emergency Onversion Time	<1s	Battery Capacity	2000mAh
Input Current (max)	40mA	Test Function	Manual	Battery Voltage	6.4V
Output Voltage	30-210Vdc	Length x Width x Depth	220 x 42 x 28mm	Battery Charge Voltage	7.5 Vdc
Output Current	10-85mA	Input Connection	Male/Female Plugs	Battery Charge Current	30-250 mA
Open Circuit Voltage	310Vdc	Output Connection	Male/Female Plugs	Battery Discharge Voltage	5.8-7.4 Vdc
Maximum Working Voltage	310Vdc	Maximum Case Temperature	75°C	Battery Discharge Current	400-500 mA
IP Rating	IP20	Ambient Temperature Range	0 to 50°C	Charging Time	>24h
Input to Output Protection	Double Insulation			Battery Life	2 Years

## INSTALLING LTWPEM EMERGENCY KIT INTO LTWPLED FITTINGS



## BATTERY REPLACEMENT:

