

# LEDLITE™ User Instructions

## RTWPLED5M3

Emergency 5ft 50W LED Non Corrosive  
Weatherproof Fitting - IP65

IP65  220-240V

**Please read these instructions and retain them for future reference.**

### Important information

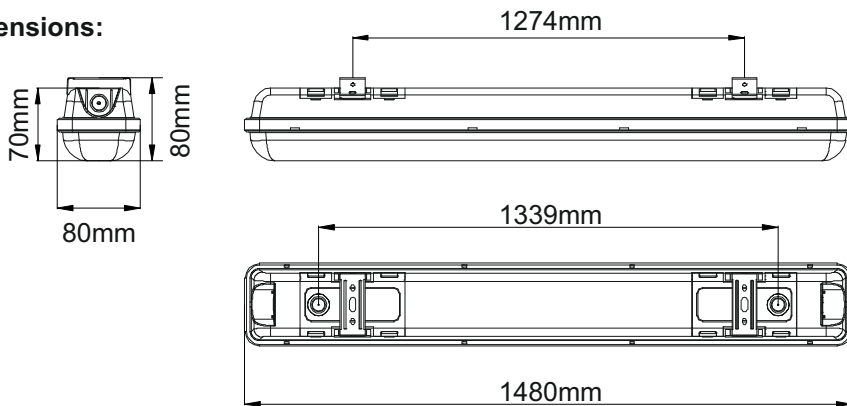
It is recommended that the fittings are installed by a qualified electrician ensuring the installation complies to current IEE wiring regulations & local building control.

- These products are designed for connection to a 220-240V mains supply.
- We cannot accept responsibility for any claims arising from a poor installation.

### Important User Advice

- Always switch off mains supply before installation.
- The fitting is suitable for indoor and outdoor use.
- The installation must not infringe on water pipes or any other electrical services.
- The light fitting is Class II and it doesn't require an earth connection.

### Dimensions:



### Specifications:

- Voltage Range: 220-240V
- Nom. Watts: 50W
- Lumen Output: 4500lm
- Colour Temp.: 5000K
- IP Rating: IP65
- Warranty: 3 Years
- ABS Base
- Stainless Steel Clips
- Not Dimmable


### Emergency Specifications:

- Emergency Wattage: 4W
- Battery Type: 6V / 3.6Ah NiCd

### Package Includes:

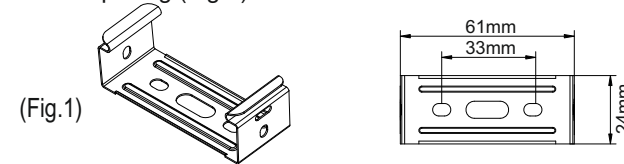
- Snap-in Metal clips x 2pcs.
- Plastic Wall Plugs x 4pcs.
- Screws x 4pcs.



**Installation:**  **Warning!** Switch off the power source before installation & maintenance

**Step 1:** Identify the location and direction of any hidden supply cables or service pipes before drilling fixing holes.

**Step 2:** Mark and drill mounting holes for the snap-in ceiling clips at the correct spacing - see minimum/maximum spacing (Fig.1).

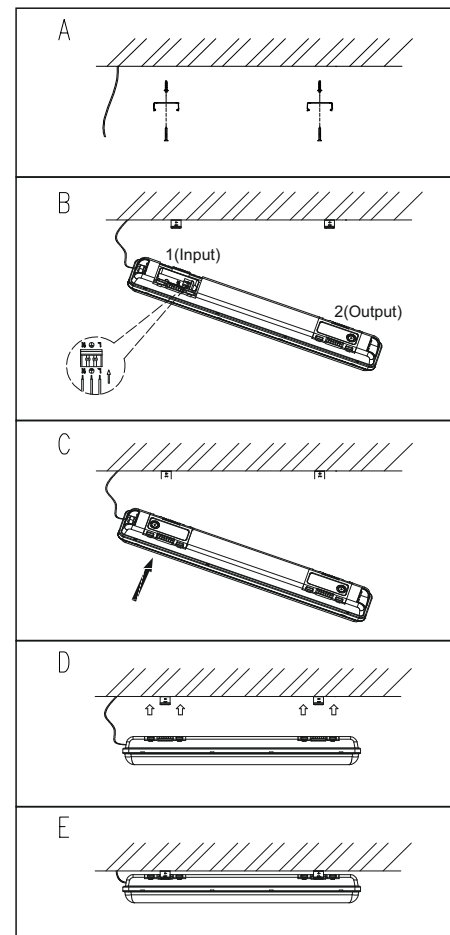


**Step 3:** Fix the clips securely to the ceiling (A)

**Step 4:** Using a screw loosen and open the cover for the connection block 1 (input) and wire the main input to the terminal block of the light fitting (B).

In addition, a secondary permanent live supply should be fed to the fixture, in line with the switch mains supply. The permanent supply **MUST** be taken from the same phase as the switch live supply and **MUST** be wired so that upon test, it is isolated at the same time as the switch supply.

### Installation\*



For detailed wiring instructions see Fig. 2 (input) and Fig. 3 (output) on the next page.

**Step 5:** Close the connection box cover (C) and mount the light fitting onto the metal clips ensuring that it is secured into place (D).

**Step 6:** Power up the fitting to check that it functions correctly (E).

The fitting has a switch for the emergency light installed in the right side connector box:

- Turn the switch ON for the fitting to work on emergency mode.
- Turn the switch OFF to use it as a standard weatherproof fitting.

The green LED fitted to the luminaire should be on after reconnecting the power supply, indicating that the batteries are charging.

The batteries should be charged for at least 24 hours before carrying out a full discharge test to check if the maintained duration is being achieved.

The fitting comes with both waterproof cable glands installed, one side has a silicone cover to ensure the IP65 rating. In order to utilize both connections, remove the blanking plate by unscrewing the cover.

\*Can also be suspended with traditional hooks & Jack chain. Not supplied.

