

LEDLITE™ Installation Sheet

LTSPSF / LTSPSF2

Surface Mounted Frame for LTSP50 Panel Lights

Read these instructions before commencing installation and retain them for future reference.



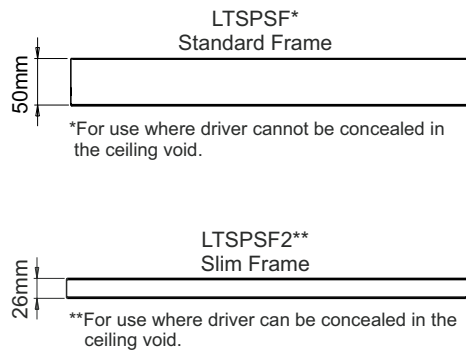
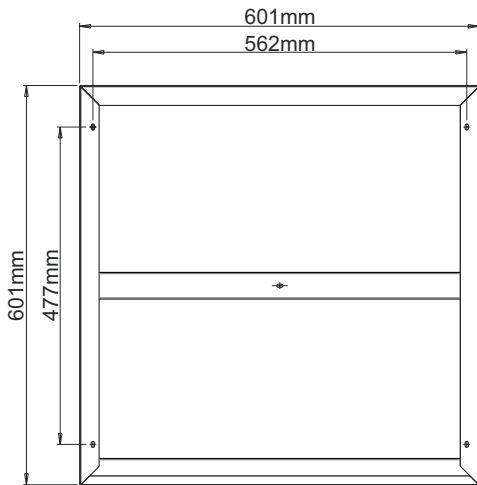
Important information

It is recommended that luminaires are installed by a qualified electrician ensuring the installation complies to current IEE wiring regulations & local building control. These products are designed for use with LTSP50 Slim Panel Lights. LEDLite will not accept responsibility for any claims arising from a poor installation.


Important User Advice

Always switch off mains supply before servicing.
This frame is suitable for indoor use only.

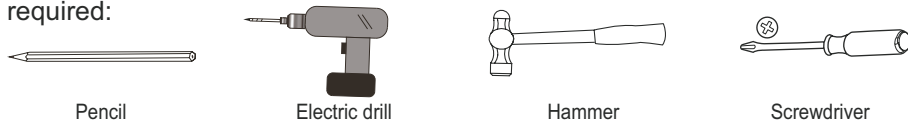
Dimensions (mm):



Installation Procedure

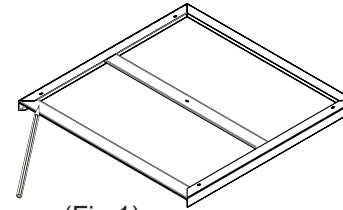
 **Warning!** Switch off the power source before installation & maintenance

Tools required:

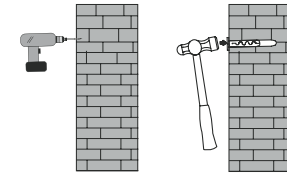


Step 1: Identify the location and direction of any hidden supply cables or service pipes before drilling fixing holes.

Step 2: Using the frame as a guide, mark the position of the fixing holes onto the wall/ceiling surface adjacent to the supply wiring (Fig.1).



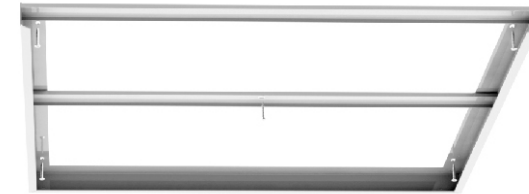
(Fig.1)



(Fig.2)

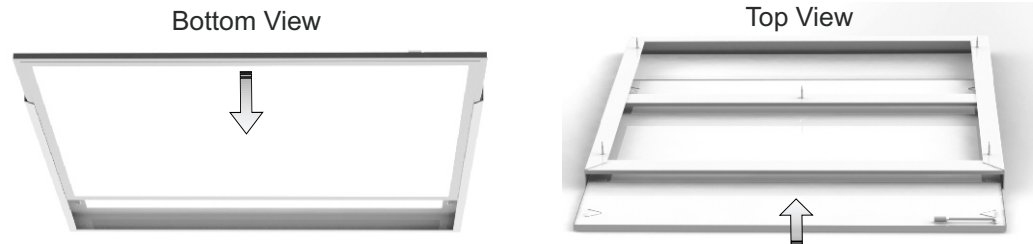
Step 3: Drill holes at the positions marked and fit the plastic wall plugs (Fig.2).

Step 4: Fix the frame to the wall/ceiling by inserting the fixing screws provided into the wall plugs. (Fig. 3)



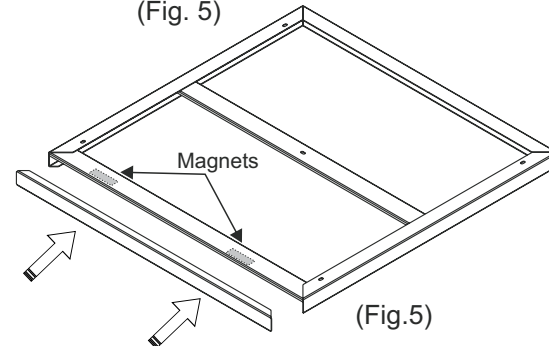
(Fig.3)

Step 5: Slide the LTSP50 Panel Lights into the frame (Fig. 4)



(Fig.4)

Step 6: Using the magnets on the installed frame, add the side panel to cover the end. (Fig. 5)



(Fig.5)



Installed frame & panel