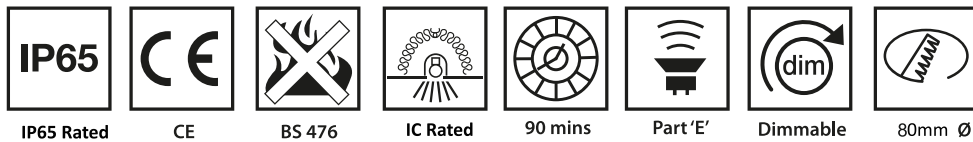


LTFDB

10W Smart WiFi & Bluetooth CCT Changeable
LED Fire Rated Downlight c/w Baffle Bezel*



General Instructions

These instructions should be read carefully and retained after installation for further reference and maintenance.

Important information

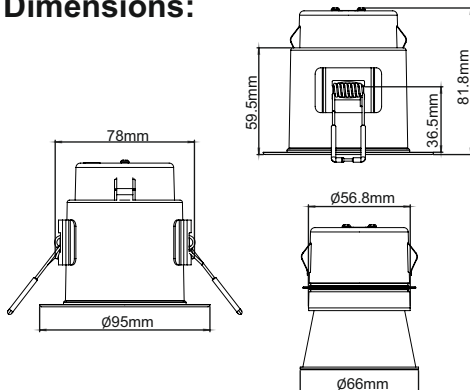
It is recommended that luminaires are installed by a qualified electrician ensuring the installation complies with current IEE wiring regulations & local building control.

- Before installation or maintenance ensure that the mains supply to the luminaire is switched off and the circuit supply fuses are removed or circuit breaker turned off.
- Check that the total load on the circuit, including when this luminaire is fitted, does not exceed the rating of the circuit cable, fuse or circuit breaker.
- We will not accept responsibility for any claims arising from a poor installation.
- Suitable for bathroom and shower room use.



*for use with
LTFDDR or LTFWDR drivers
(not included)

Dimensions:



Specifications:

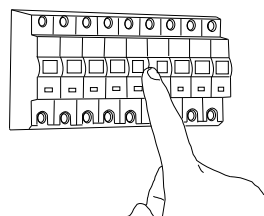
- LED Voltage Range: 33-39V/DC
- LED Current: 230mA
- Wattage: 10W
- Beam Angle: 40°
- CCT Changeable (3000K/4000K/6000K)
- White & Black Reflector Included
- Lumens:

	White Reflector	Black Reflector
3000K	800lm	600lm
4000K	870lm	660lm
6000K	840lm	640lm
- Solid Joist & I-Joist Fire Rated
- Insulation Coverable
- Baffle Bezel Included
- Cut-out: 80mm
- Housing Materials: Aluminium + Iron
- Warranty: 5 Years
- IP65 Rated

Installation:

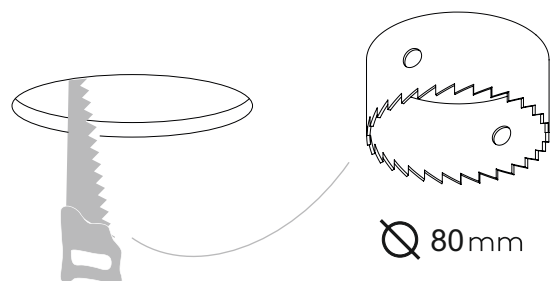
- Turn the power off before commencing installation (see Fig.1).
- Cut a suitable hole in the ceiling as per the cut-out details ensuring that it does not infringe with electrical cables, water/gas pipes or ceiling joists. (see Fig.2).
- The downlight is IC Rated and designed for use with insulated material, it does not need extra IC cage accessories.
- Connect the driver to the downlight (see Fig.3).
- Install the required reflector - white and black reflectors included.(see Fig.4).
- Insert the LED module into the bracket.(see Fig.5).
- Fit the downlight into the hole in the ceiling with the 2 spring clips supplied. (see Fig.6).
- Test for correct operation.
- If you need to remove the downlight use a rubber suction cup & pull down (suction cup not included).

1

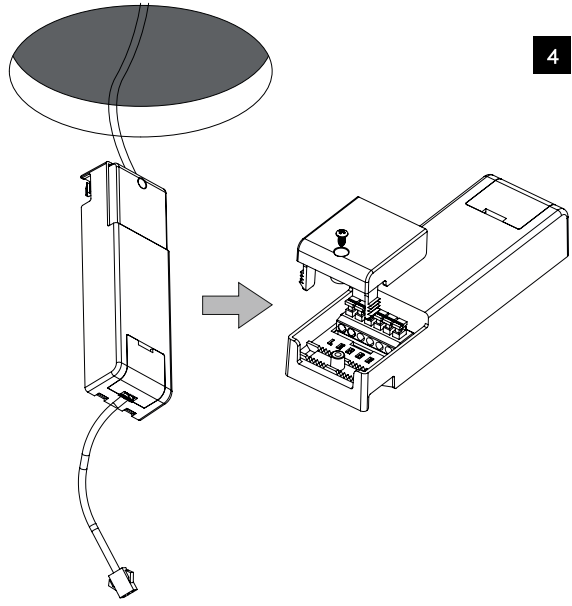


Turn off power

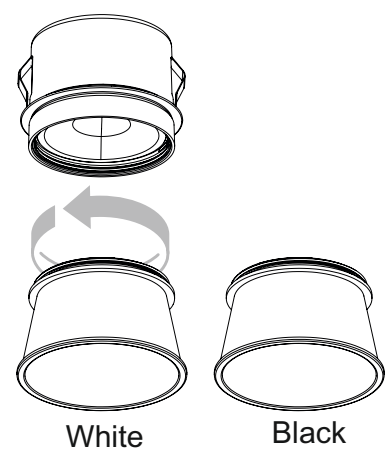
2



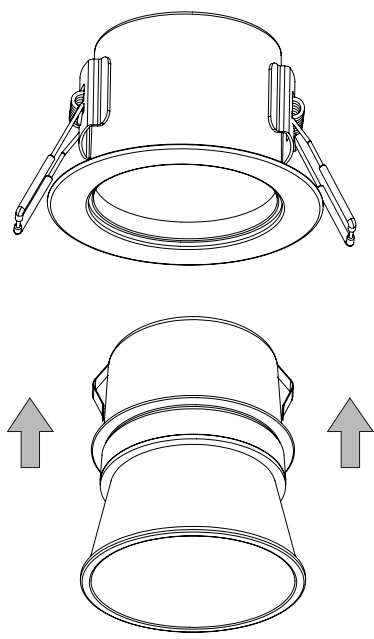
3



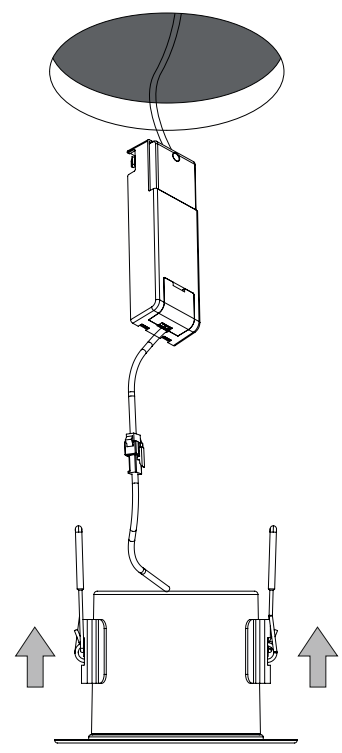
4



5



6



7

