

# Installation Sheet



## 10W/20W/30W Dimmable CCT Changeable Track Lights



200-260V 10/20/30W

**Please read these instructions before commencing installation & retain them for future reference.**

### Important information

It is recommended that the fittings are installed by a qualified electrician ensuring the installation complies to current IEE wiring regulations & local building control.

- These products are designed for connection to a 200-260V mains supply.
- We cannot accept responsibility for any claims arising from a poor installation.

### Important User Advice

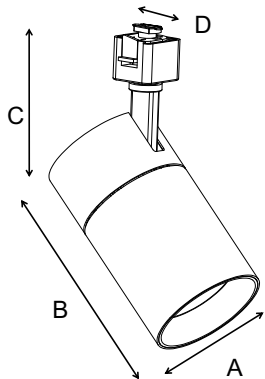
- Always switch off mains supply before installation.
- The fitting is suitable for indoor use only.

### Installation Procedure

Ensure that the track is wired correctly and fixed to its mounting surface in accordance with installation instructions.

The track adapter supplied with the fitting is suitable for single circuit track.

LEDLITE track fittings are compatible with TLC tracks: IL T4WH      GL 4W/B/SG  
IL T8WH      GL 8W/B  
IL T12WH.

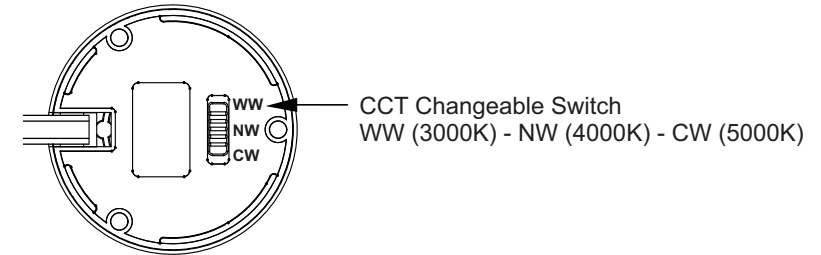


### Dimensions:

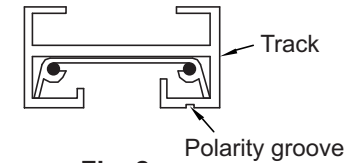
Power	A mm(inch)	B mm(inch)	C mm(inch)	D mm(inch)
10W	60(2.36)	120(4.72)	120(4.72)	40(1.57)
20W	76(2.99)	139(5.47)	144(5.67)	40(1.57)
30W	88(3.46)	147(5.79)	150(5.91)	40(1.57)

### Fixture Installation:

1. Select the CCT colour temperature using the switch on the back of the fitting (**Fig. 1**).

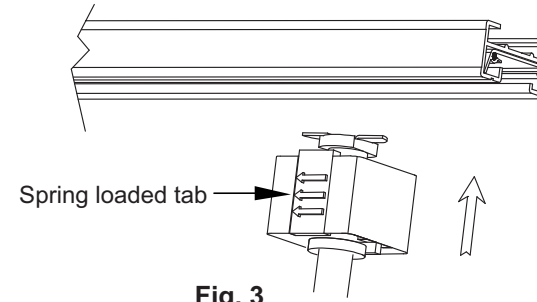


2. Note the track has a groove running its length to indicate polarity (**Fig. 2**).



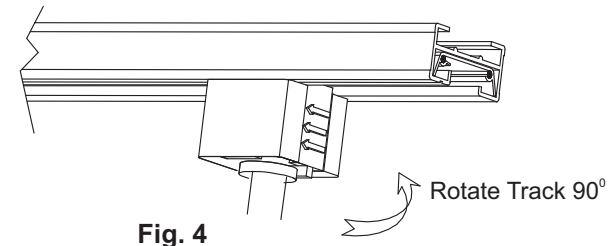
**Fig. 2**

3. Insert adapter into the track slot (**Fig. 3**), compressing the spring loaded tab downward.



**Fig. 3**

4. Rotate the track adapter 90°. The arrows should point to the grooved side of the track (**Fig. 4**). Make sure the locking tab seats in the track slot.



**Fig. 4**

5. Track heads may be positioned anywhere along the track length. Aim the fixture to your desired position. Fixture adjusts 350° horizontal and 180° vertical.