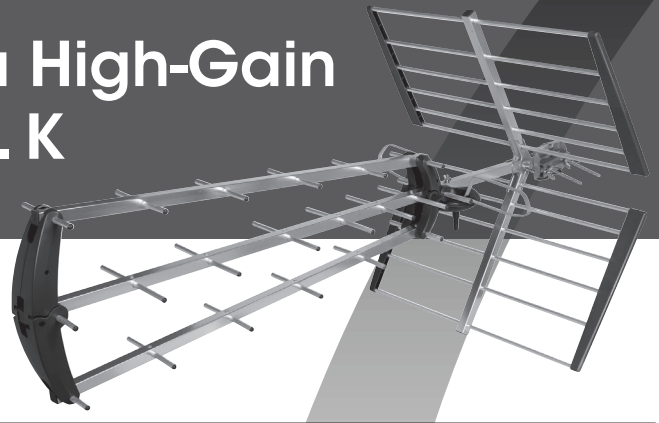


Labgear Tri-Boom Ultra High-Gain TV Aerial Grp. K

LAB450K User Guide



Congratulations on the purchase of your high gain digital aerial. The aerial is ideal for the reception of all available signals in weak and fringe areas. The aerial is of particularly robust construction to ensure a long operating life.

- Ideal for fringe reception areas
- Tilting mast clamp for easy adjustment
- Tuned to prevent interference from 4G/5G mobile signals
- Easy dipole assembly
- Unique compact folding design
- Electronic 75Ω balun
- Connection: F type

General Safety Precautions

Do not undertake work outdoors at height unless you are competent in the use of ladders and other access equipment. Always use correct equipment, observe appropriate safety precautions and follow manufacturers instructions. If in doubt consult a professional installer.

Before starting installation check structure is sound and check for hidden wiring or plumbing.

When working on an installation outside, beware of overhead power lines.

Observe safe working practices, tread carefully on roofs and ensure adequate lighting is available if working in loft or roof space.

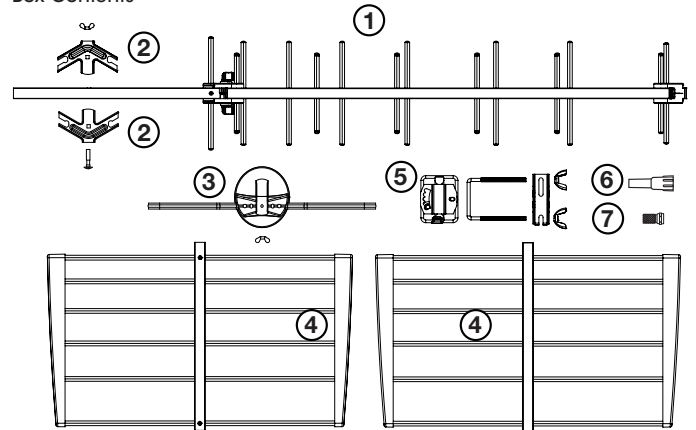
Before making any connections switch electricity off at the mains.

To avoid injury always route cables or wiring carefully. Ensure cable is correctly routed before fixing into position, taking care not to overtighten cable clips.

This kit contains small parts - keep out of reach of children.

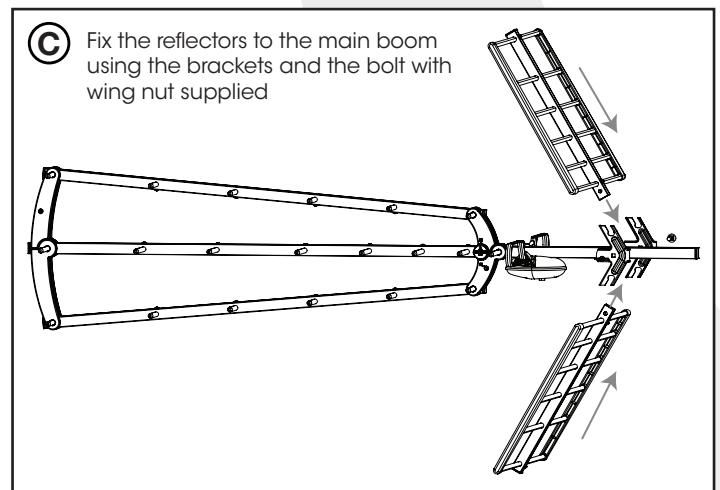
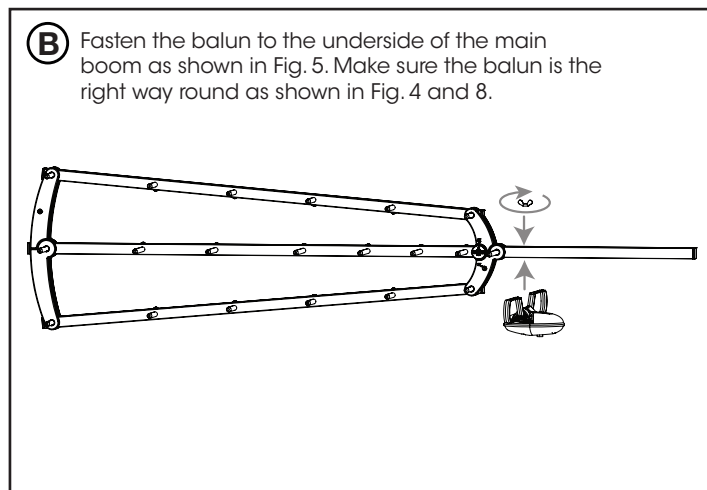
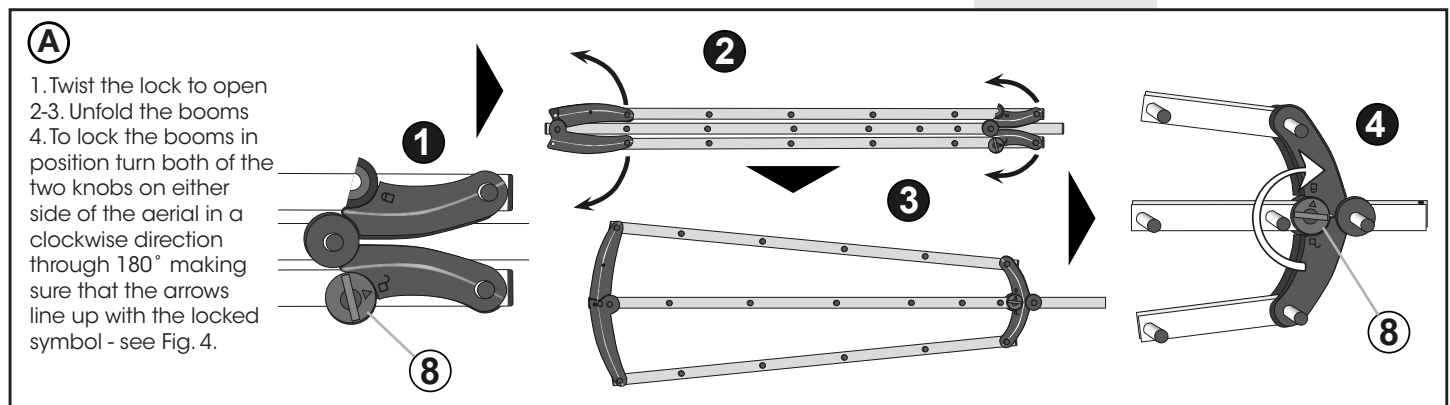
After installation make regular maintenance checks for wear and tear.

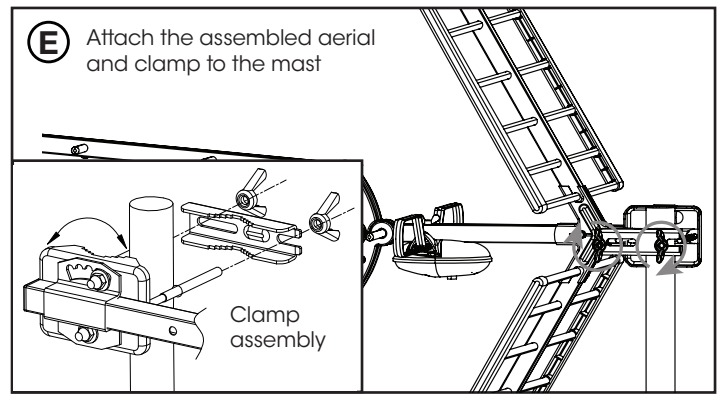
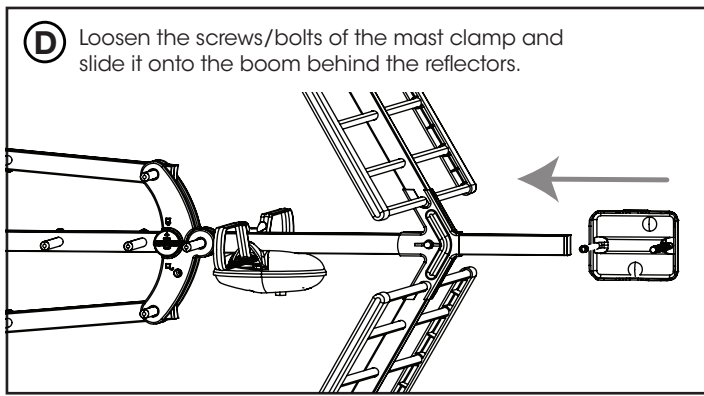
Box Contents



- | | |
|---|---|
| 1. Triboom x1 | 5. Tilting Mast Clamp (inc. wing nuts x2) |
| 2. UHF Reflector clamps x2 (inc. bolt & wing nut) | 6. Weather Boot x1 |
| 3. Dipole x1 (inc. wing nut x1) | 7. F Plug x1 |
| 4. UHF Reflectors x2 | |

Aerial assembly

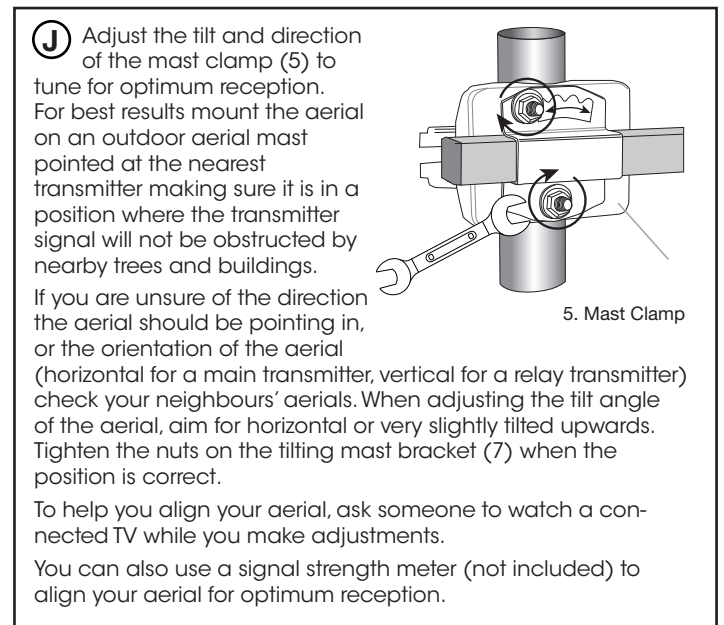
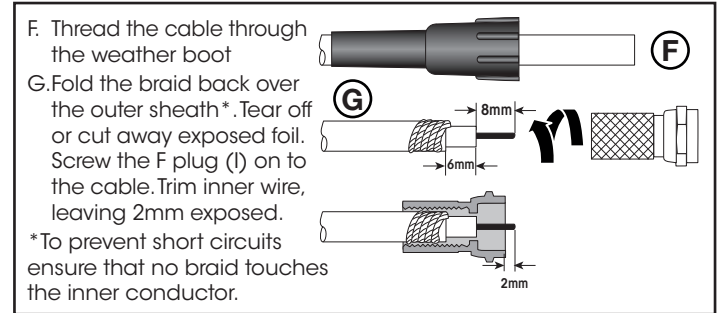
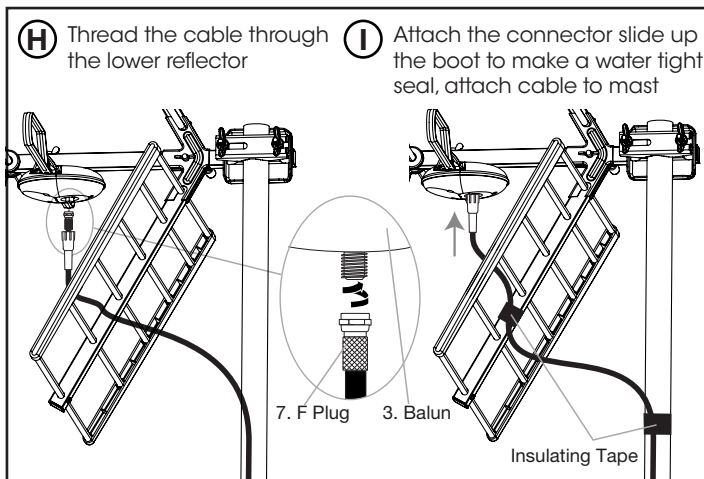




Installation

For best results the aerial should be mounted on an outdoor aerial mast and pointed in the direction of the nearest transmitter* making sure it is in a position where the transmitter signal will not be obstructed by nearby trees and buildings.

If you are in any doubt about the direction in which the aerial should be pointing or the orientation of the aerial (horizontal for main transmitter, vertical for relay transmitter) check your neighbours' aerials.



Troubleshooting

No picture:

Check all the connections from aerial to TV.

Poor picture:

Check all the connections from aerial to TV.

Check aerial is properly aligned to the correct transmitter.

If the aerial has been loft mounted try mounting outside.

Make sure new digital coax cable has been used throughout the installation.

Check the transmitter signal is not obstructed by nearby trees or buildings.

If in a very weak signal area or for long cable runs, installing a masthead amplifier will improve the signal.

If in a strong signal area the signal strength may need to be reduced by fitting an attenuator.

For further information, please contact:

Customer careline: 08457 573479 (Local Rate - UK Only)

Technical Support: www.philex.com/support/

Other Useful Websites for Digital Advice:

*To find out what DTT channels should be available locally and to find out where your nearest transmitter is (distance and compass bearing) visit: <http://www.wolfbane.net/cgi-bin/tvd.exe>

Specifications

Frequency Range MHz	470-694
TV Channels	21-48
Forward Gain dBi	13.5
Front/Back Ratio dB	>16
Beam Width +/-deg.	H32°/V40°
Connector	F-Type
Length	1100mm
Width	600mm

Additional technical information

	WEEE symbol. Waste electrical and electronic products should not be disposed of with household waste. Please recycle where facilities exist. Check with your Local Authority or local store for recycling advice.
yyWxx	Manufacturing date code: yy = year of production (21yy) Wxx = week of production (01 to 52)

UK Distributor
Philex Electronic Ltd.
Kingfisher Wharf, London Road,
Bedford MK42 0NX,
United Kingdom.

EU Distributor
Philex Electronic Ireland Ltd.
Robwyn House, Corrintra,
Castleblayney, Co. Monaghan,
A75 YX76, Ireland.