

Wired and WiFi Network

Labgear



Labgear

Smart PoE Switch
Budget 65 W PoE+



4*10/100/1000 Mbps (Fast Ethernet) PoE+
2*10/100/1000 Mbps Uplink RJ-45 port

[Normal/VLAN/300 m] RJ-45 ports

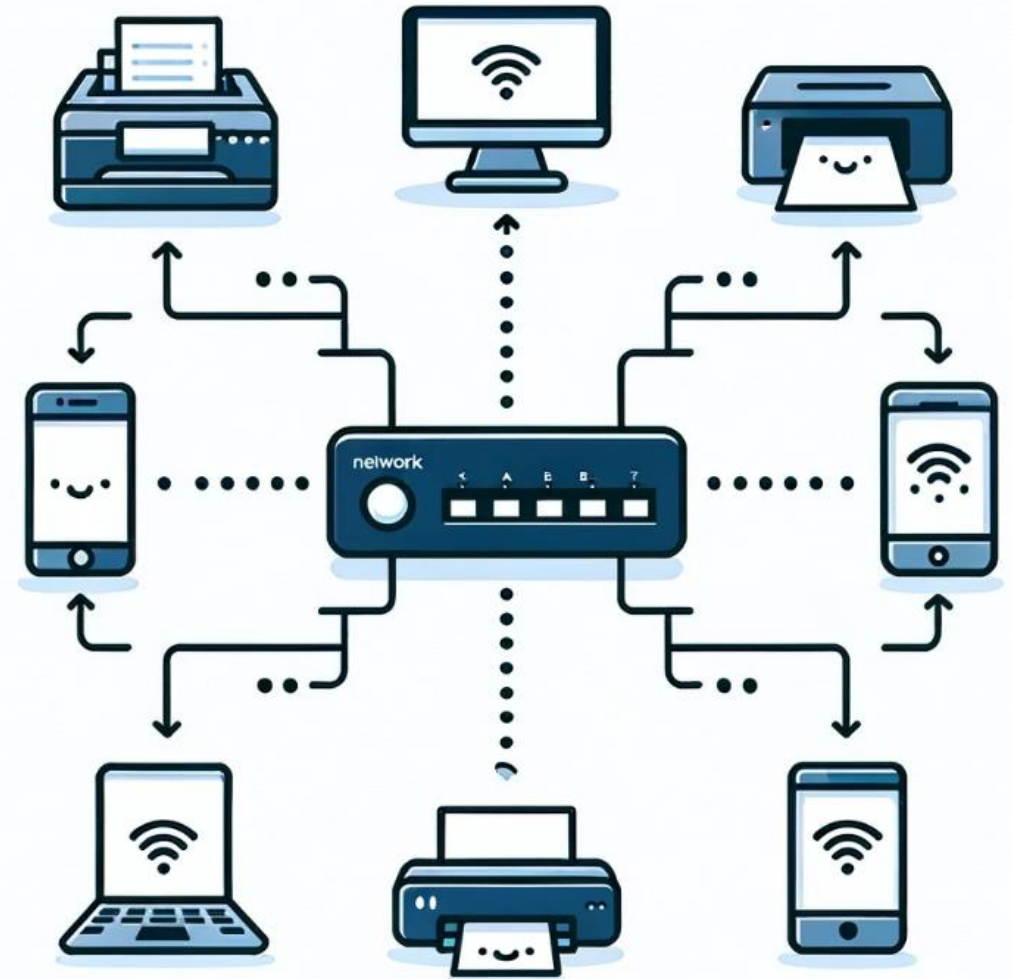
The Internet Traffic Manager

Just like a postman delivers letters to the correct houses, a network switch connects and directs the flow of internet data to the right devices in an office or home.

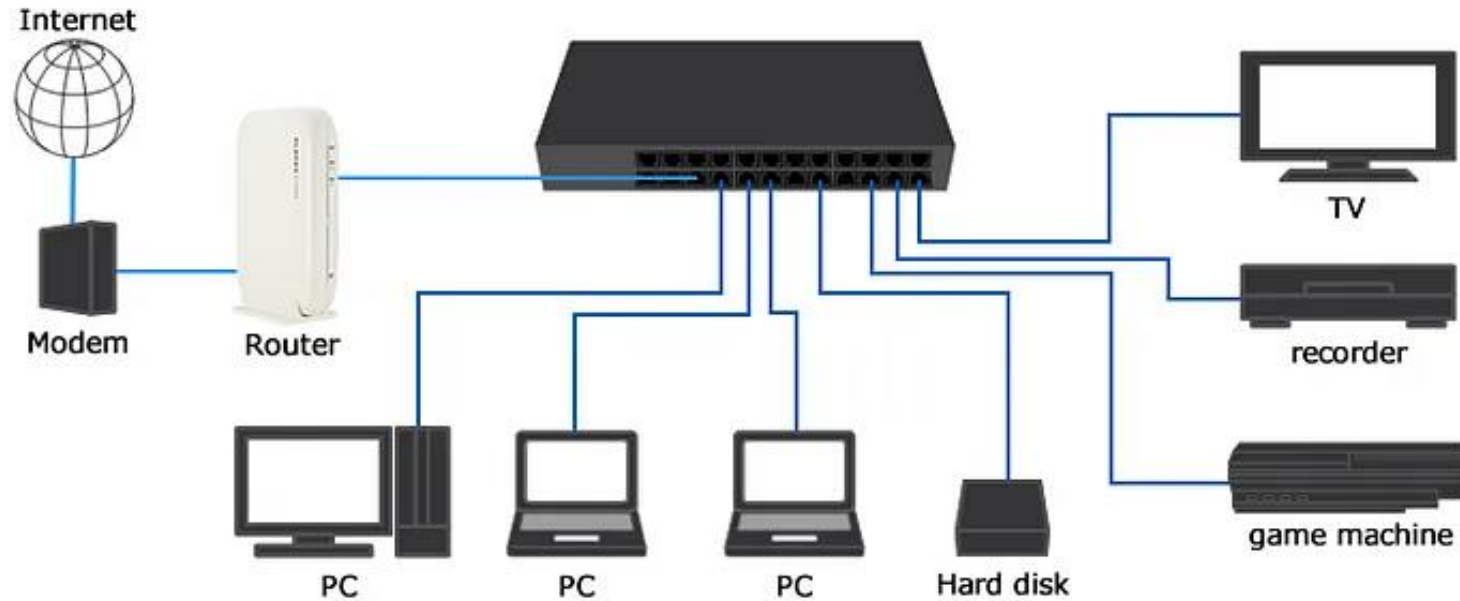


Keeping Data Traffic Organized

- Automatically allocates bandwidth to each port based on real-time requirements.
- Ensures efficient data flow, prioritizing high-demand devices when necessary.
- Optimizes network performance, preventing bottlenecks and maintaining speed.



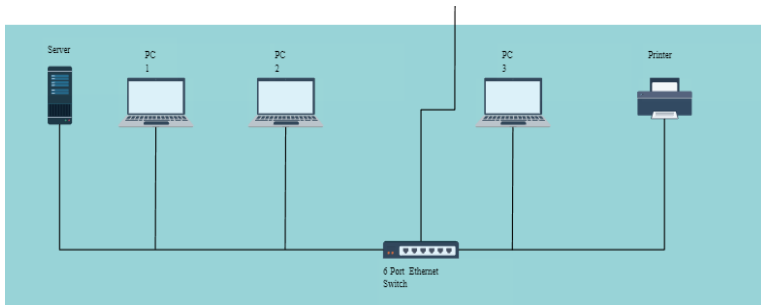
Unmanaged Network Switches: Simplifying Connectivity



Unmanaged network switches offer easy plug-and-play functionality, automatically routing Ethernet traffic among connected devices without the need for configuration.

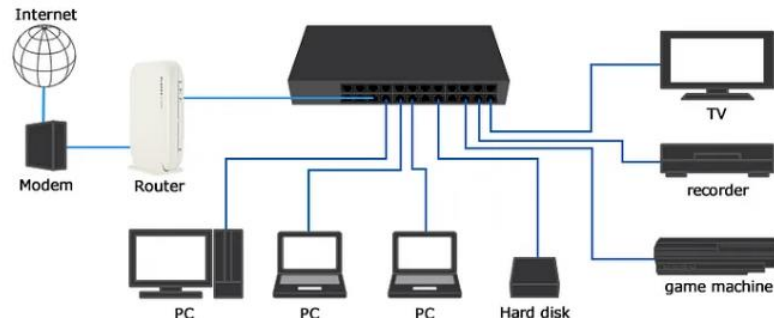
Small Business

Connects computers, printers, and servers efficiently.



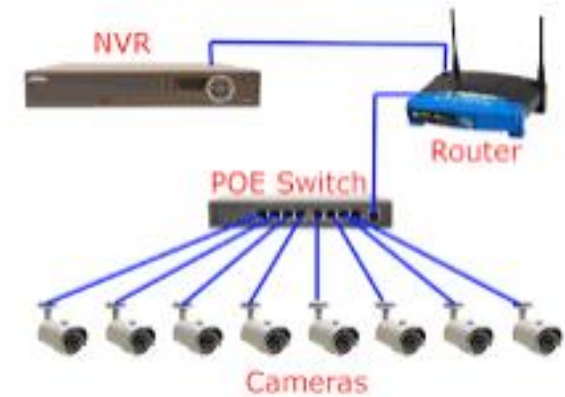
Home Networks

Ideal for linking PCs, gaming consoles, and smart devices.

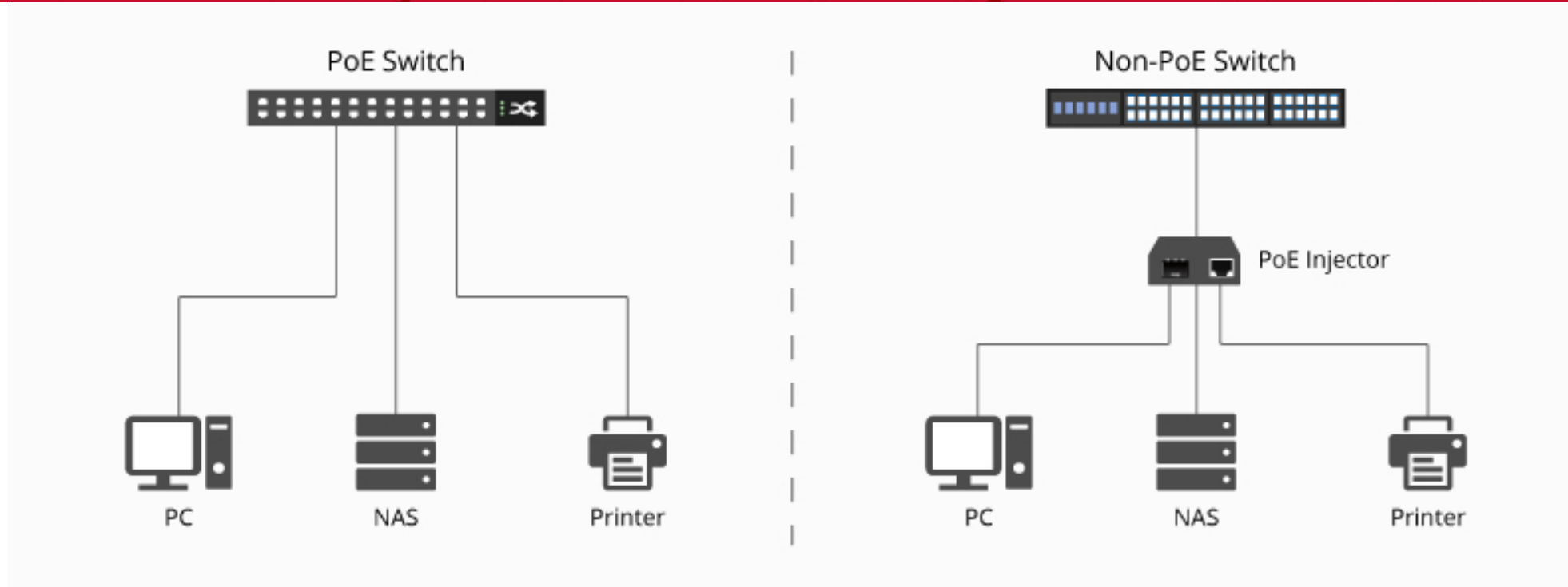


CCTV Installations

Centralizes camera connections for security monitoring.



PoE vs Non-PoE (Power over Ethernet)



PoE Switches

- Deliver power and network connectivity over a single Ethernet cable.
- Ideal for devices like IP cameras, VoIP phones, and wireless access points.
- Reduces cabling requirements and installation costs.

Non-PoE Switches

- Provide network connectivity without power.
- Suitable for devices near power sources or that don't require PoE.
- Typically, less expensive than PoE switches.

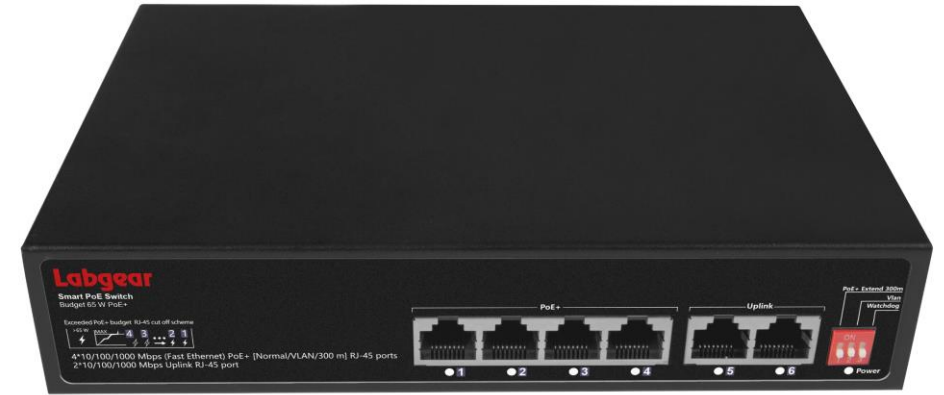
- Equipped with 5 ports supporting 10/100/1000M Ethernet for versatile network setups.
- Energy-efficient with total power consumption less than 4W and an external power supply.
- Exchange capacity of 10G, suitable for high-speed data handling.
- Includes 1M buffer memory for efficient data processing.
- Forwarding rate of 7.44Mpps, ensuring swift data transfer.
- Comes with a 2K capacity MAC table for effective network management.



- Features 8 ports with 10/100/1000M Ethernet connectivity for versatile network setups.
- Consumes less than 6W total power, with an external power supply for efficiency.
- Offers a substantial exchange capacity of 18G for high-speed data processing.
- Equipped with 4M buffer memory to handle busy network traffic.
- Fast forwarding rate of 11.9Mpps to ensure quick data transfer.
- Contains a MAC table capacity of 8 for efficient network management.



- Comprises 4 Gigabit Ethernet PoE ports and 2 additional Gigabit RJ45 ports.
- Ports 1-4 are compatible with IEEE 802.3af/at standards; each port supports up to 30W.
- Equipped with a dial code switch for automatic port priority.
- **AI Extend** feature allows up to **300 meters** transmission with auto speed reduction to 10Mbps on a single port.
- Ports 1-4 offer port isolation and VLAN for improved network security.
- **AI-PoE** Network self-healing mode on ports 1-4 for enhanced reliability.
- Built-in power supply for efficient power management.



8-Port Gigabit PoE + 2-Port Gigabit Unmanaged PoE Switch (120W)

- 8 Gigabit Ethernet PoE ports and 2 additional Gigabit RJ45 ports.
- Ports 1-8 compatible with IEEE 802.3af/at standards; offering up to 30W per port.
- Dial code switch for default port priority.
- **AI Extend** feature for transmission up to **300 meters** at reduced speed (10Mbps) on a single port.
- Ports 1-8 support port isolation and VLAN for enhanced network segmentation.
- AI-PoE Network self-healing mode on ports 1-8, ensuring reliability and continuous operation.
- Built-in power supply for streamlined installation.

