



Available finish:- Black

Read these instructions before commencing installation. Please give these instructions to the owner/occupier after installation to retain for future reference/maintenance.

IP65 240V~50Hz 20W

These fittings are Class I and must be Earthed

Important Information

It is recommended that these luminaires are installed and fitted by a qualified electrician ensuring the installation complies with current IEE wiring regulations & local building control. These products are designed for connection to a 240V~50Hz supply. Any faulty, broken or damaged luminaires should be replaced immediately. TLC will not accept responsibility for any claims arising from a poor installation.

Please Note: The limited warranty shall be deemed null and void in the following circumstances: Failure by the installer, end user or any third party to exercise caution to protect any covered product or part from outside damage, adverse temperature (normal operating ambient temperature -15 ~ +40°C), humidity conditions, fluctuations in the electrical system or physical abuse as well as failure related to workmanship in the installation of the products or parts.

Important User Advice

Always switch off mains supply before servicing and maintenance. Please ensure that a suitable maintenance schedule is performed including greasing all moving parts and protection from exposure to natural elements in the form of a non-abrasive cleaner/water repellent protection to ensure the product gives you a long lasting trouble free life.

Installation Procedure

- Safely isolate the mains supply before installation.
- Make up fixing kit as per Figure 1 dig a hole at least 260mm x 260mm square by 200mm deep.
- Direct suitable cable from the source to the centre of the hole making sure there is enough cable to reach the terminal block for the bollard you have purchased.
- Pour concrete into the hole and while still wet insert the fixing kit ensuring that the threaded bar protrudes the correct length to fit the bollard base.
- Once the concrete has set, fix the bollard base to the fixing kit using the spring washers and nuts provided as per Figure 2.
- Remove the head by loosening the 3 grub screws.
- Remove the driver tray by turning anticlockwise route the cable through the cable gland (8mm-12mm) and terminate wiring as per Figure 3. Tighten the cable gland ensuring a water tight connection.
- Select the LED colour you require using the switch on the driver casing.
- Refit the driver tray in reverse of removal ensuring the seal is in place (Insert the seal into the head not around the tray).
- Refit the bollard head ensuring the head locates onto the 3 lugs in the body, grease the 3 grub screws and tighten.
- Turn mains supply on and test luminaire.
- Do Not** expose luminaire to areas where high pollution and saline maybe present.

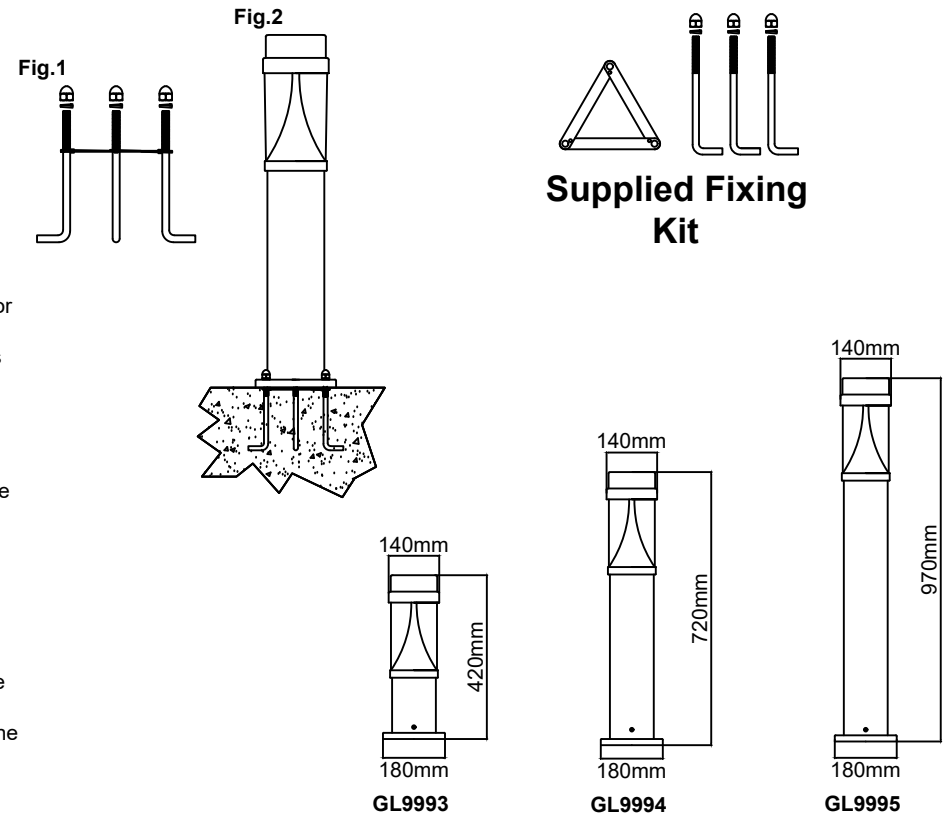
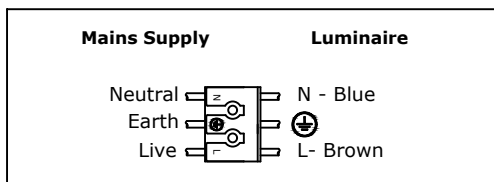


Fig.3



Lamp Details

Lamp: Dedicated LED
 Wattage: 20W
 Colour: Switchable 3000K - 4000K - 6000K
 3000K Lumen Output: 1528 lumens
 4000K Lumen Output: 1724 lumens
 6000K Lumen Output: 1535 lumens
 CRI: Ra>82

The light source of this luminaire is not replaceable; when the light source reaches its end of life the whole luminaire shall be replaced

Customer Service: 01293 565630
 E-mail: sales@tlc-direct.co.uk
 Website: www.tlc-direct.co.uk