



Technical Hotline
+44 (0)1268 563720

Commando

COMMANDO

RANGE INTRODUCTION

Commando offers a comprehensive range of industrial plugs, connectors, socket outlets, appliance inlets, Combi and Modular-Combi units.

The Commando range is designed to meet all relevant European and British Standards, whilst offering remarkable impact strength and an excellent choice of ingress protection ratings. Outstanding temperature performance and good resistance to chemicals make it ideal for the most arduous applications. Contact pins and sleeves are of solid brass with stainless steel springs to keep contacts free of dirt and to ensure constant contact pressure.

FEATURES & BENEFITS

RELIABILITY

Features like the calibrated contact sleeves with stainless steel springs, brass screws in brass contacts, and the double earthing screws – all mean that this plug or socket will perform better and longer in difficult conditions.

ERGONOMIC DESIGN

All edges and corners are rounded to remove sharp edges. Cable protection is improved. New design offers a better and more comfortable grip for connection / disconnection.

CABLE GLAND

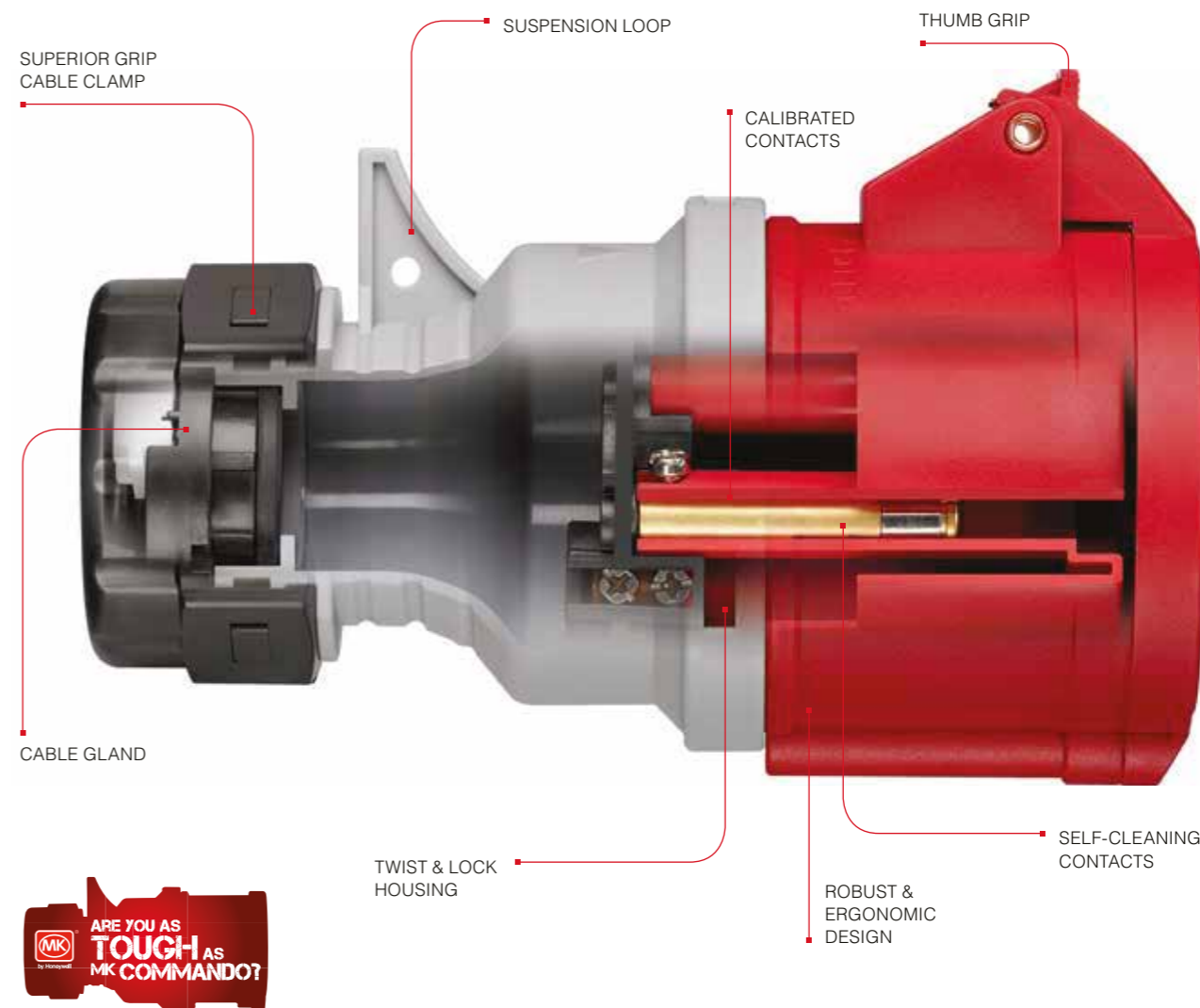
Every product across the range has a new cable clamp with an improved locking mechanism that will apply pressure to the cable for the lifetime of the product.

EASY WIRING

All screws are backed out and retained. Twin contact earth screws.

OUTSTANDING TEMPERATURE PERFORMANCE

Successful operation guaranteed between -25°C and 55°C.



HIGH QUALITY MATERIALS

The Commando range offers remarkable impact strength.

Outstanding temperature performance and good resistance to chemicals make it ideal for the arduous applications.

CONNECTION SEAL

Prevent accidental disconnection or theft of equipment.

TIGHT AND SECURE

The cable gland has an improved locking mechanism that will apply pressure to the cable for the lifetime of the product.

PROLONGED EARTH CONNECTION

The earth connection is specifically designed, so that in the unlikely event of failure of the cable gland and the wires detach from the terminals the earth terminal will be the last to disconnect.

For extra protection the earth terminal is provided with 2 connection screws.

SUSPENSION LOOP

Products can be suspended above the floor, helping to keep the workspace in order.

QUICK AND EASY TO USE

Clear markings and terminal identification.

Clear instructions for cable strip length, tightening torque and opening of the product.

HOW TO SPECIFY

A range of industrial "Commando" industrial plugs, connectors, sockets and switches designed to provide IP44 & IP67 ingress protection. Products to have outstanding temperature performance and resistance to chemicals to ensure operation in arduous applications. All sockets to have self cleaning contacts and nickel plated pins to provide resistance to humidity and wear. Cable entry must be secured via a cable clamp that applies pressure to the cable for the lifetime of the product. Products must have prolonged earth pole connections to ensure that earth terminals are last to disconnect. Terminals to be clearly identified and have terminal screws backed out to provide fast and easy installation.

Commando

mkelectric.co.uk



Technical Hotline
+44 (0)1268 563720

Commando

**IP44
SPLASHPROOF
100-130V
50-60 HZ**

Plugs

Connectors

Socket Outlets

Switchsocket Outlets

Amps	Pin. Configuration	Earth	Plugs	Connectors	Socket Outlets	Socket Outlets	Socket Outlets	Switchsocket Outlets
16	2P+E	4						
32	2P+E	4						

Fitted with cable entry seal.
BS EN 60309

Fitted with cable entry seal.
BS EN 60309

16A
Top conduit (M20) or rear cable entry, complete with blanking plug.
32A
Top conduit (M25) or rear cable entry, complete with blanking plug.
BS EN 60309

All flanges have the same fixing centres and outside dimensions to assist panel builders.
BS EN 60309

Suitable for top entry 1 x M20 and 1 x M25 or bottom entry 1 x M20 and 1 x M25
BS EN 60309

Switch can be locked in open or closed position.
Suitable for top entry 1 x M20 and 1 x M25 or bottom entry 1 x M20 and 1 x M25
BS EN 60309

**IP67
WATERTIGHT
100-130V
50-60 HZ**

Plugs

Connectors

Socket Outlets

Switchsocket Outlets

Amps	Pin. Configuration	Earth	Plugs	Connectors	Socket Outlets	Socket Outlets	Socket Outlets	Switchsocket Outlets
16	2P+E	4						
32	2P+E	4						

Suitable for flexible cable only.
BS EN 60309

Suitable for flexible cable only.
BS EN 60309

16A Top conduit (M20) or rear cable entry, complete with blanking plug.
32A Top conduit (M25) or rear cable entry, complete with blanking plug
BS EN 60309

All flanges have the same fixing centres and outside dimensions to assist panel builders
BS EN 60309

Suitable for top entry 1 x M20 and 1 x M25 or bottom entry 1 x M20 and 1 x M25
BS EN 60309

Switch can be locked in open or closed position.
Suitable for top entry 1 x M20 and 1 x M25 or bottom entry 1 x M20 and 1 x M25
BS EN 60309



IP44
SPLASHPROOF
200 - 250V
50 - 60 HZ

Plugs

Connectors

Socket Outlets

ANGLED
SURFACE

SURFACE-LOOP IN

STRAIGHT
PANEL MOUNTING

ANGLED
PANEL MOUNTING

Switchsocket Outlets

ANGLED
INTERLOCKED
SURFACE

Appliance Inlets

ANGLED
SURFACE

Amps	Pin. Configuration	Earth	Plugs	Connectors	Socket Outlets	Appliance Inlets
16	2P+E	6	K9001BLU	K9101BLU	K9201BLU	K13301BLU
16	3P+E	9	K9006BLU	K9106BLU	K9206BLU	
16	3P+N+E	9	K9014BLU	K9114BLU	K9214BLU	
32	2P+E	6	K9033BLU	K9133BLU	K9233BLU	K13333BLU
32	3P+E	9	K9036BLU	K9136BLU	K9236BLU	
32	3P+N+E	9	K9044BLU	K9143BLU	K9240BLU	
63	2P+E	6	K9063BLU	K9172BLU	K9274BLU	K9472BLU

16A/32A
Fitted with cable entry gland.
63A
Fitted with cable entry gland
BS EN 60309

16A/32A
Fitted with cable entry gland.
63A
Fitted with cable entry gland
BS EN 60309

16A Top conduit (M20) or rear cable entry, complete with blanking plug.
32A Top conduit (M25) or rear cable entry, complete with blanking plug.
63A Top conduit (M32) or rear cable entry, complete with blanking plug
BS EN 60309

Suitable for top entry 1 x M20 and 1 x M25 or bottom entry 1 x M20 and 1 x M25
BS EN 60309

16/32A
All flanges have the same fixing centres and outside dimensions to assist panel builders
BS EN 60309

Amps	Pin. Configuration	Earth	Switchsocket Outlets	Appliance Inlets
16	2P+E	6	K9771BLU	K73601BLU
16	3P+E	9		K9601BLU
16	3P+N+E	9		K9607BLU
32	2P+E	6	K9774BLU	K73633BLU
32	3P+E	9		K9633BLU
32	3P+N+E	9		K9639BLU
63	2P+E	6		K9306BLU

16/32A
new range has different fixing centres to old range.
Old range is available for limited period. See technical section for details
BS EN 60309

Switch can be locked in open or closed position.
Suitable for top entry 2 x M32 or 2 x M40 or bottom entry 2 x M32 or 2 x M40
BS EN 60309

16A Top conduit (M20) or rear cable entry, complete with blanking plug.
32A Top conduit (M25) or rear cable entry, complete with blanking plug
BS EN 60309

Plugs

Connectors

Socket Outlets

ANGLED
SURFACE

SURFACE - LOOP IN

Switchsocket Outlets

ANGLED
INTERLOCKED
SURFACE

Amps	Pin. Configuration	Earth	Plugs	Connectors	Socket Outlets
16	2P+E	6	K9024BLU	K9124BLU	K9194BLU
16	3P+E	6	K9081BLU	K9082BLU	K9083BLU
32	2P+E	6	K9054BLU	K9156BLU	K9762BLU
32	3P+E	6			
63	2P+E	6	K9298BLU	K9856BLU	K9857BLU

Suitable for flexible cable only
63A. With external clamp
BS EN 60309

Suitable for flexible cable only
63A. With external clamp
BS EN 60309

Suitable for top entry 2 x M25 or bottom entry 2 x M20.
Will accept FL13 flange at top
BS EN 60309

Suitable for top entry 1 x M20 and 1 x M25 or bottom entry 1 x M20 and 1 x M25
BS EN 60309

Amps	Pin. Configuration	Earth	Switchsocket Outlets
16	2P+E	6	K73624BLU
16	3P+E	9	
32	2P+E	6	K73654BLU
32	3P+E	9	
63	2P+E	6	

Switch can be locked in open or closed position.
Suitable for top entry 1 x M20 and 1 x M25 or bottom entry 1 x M20 and 1 x M25
BS EN 6030

Commando

mkelectric.co.uk



Technical Hotline
+44 (0)1268 563720

Commando

IP44
SPASHPROOF
380 - 415V
50 - 60 HZ

Plugs

Connectors

Socket Outlets

Switchsocket Outlets

ANGLED
SURFACE

STRAIGHT
PANEL MOUNTING

ANGLED
INTERLOCKED
SURFACE

Amps	Pin. Configuration	Earth	Plugs	Connectors	Socket Outlets	Socket Outlets	Switchsocket Outlets
16	3P+E	6					
16	3P+N+E	6	K9015RED	K9115RED	K9215RED	K13315RED	K13615RED
32	3P+E	6	K9037RED	K9137RED	K9237RED	K9437RED	K13637RED
32	3P+N+E	6	K9045RED	K9144RED	K9241RED	K9445RED	K73641RED
63	3P+E	6	K9066RED	K9165RED	K9265RED		K9665RED
63	3P+N+E	6	K9071RED	K9170RED	K9269RED	K9470RED	K73643RED

16A/32A Fitted with cable entry gland.
63A Fitted with cable entry gland.
Thread size M48
BS EN 60309

16A/32A Fitted with cable entry gland.
63A Fitted with cable entry gland.
Thread size M48
BS EN 60309

16A Top conduit (M20) or rear cable entry, complete with blanking plug.
32A Top conduit (M25) or rear cable entry, complete with blanking plug.
63A Top conduit (M32) or rear cable entry, complete with blanking plug.
BS EN 60309

16/32A All flanges have the same fixing centres and outside dimensions to assist panel builders
BS EN 60309

Switch can be locked in open or closed position.
Suitable for top entry 2 x M32 or 2 x M40 or bottom entry 2 x M32 or 2 x M40
BS EN 60309

IP67
WATERTIGHT
380 - 415V
50 - 60 HZ

Plugs

Connectors

Socket Outlets

Switchsocket Outlets

ANGLED
SURFACE

ANGLED INTERLOCKED
SURFACE

Amps	Pin. Configuration	Earth	Plugs	Connectors	Socket Outlets	Socket Outlets	Switchsocket Outlets
16	3P+E	6					
16	3P+N+E	6	K9026RED	K9126RED	K9764RED	K9765RED	K73626RED
32	3P+E	6	K9055RED	K9157RED	K9765RED	K9766RED	K13655RED
32	3P+N+E	6	K9056RED	K9158RED	K9766RED	K9858RED	K73656RED
63	3P+E	6	K9282RED	K9842RED	K9858RED	K9859RED	K9432RED
63	3P+N+E	6	K9292RED	K9852RED	K9859RED		K73658RED

Suitable for flexible cable only.
BS EN 60309

Suitable for flexible cable only.
BS EN 60309

2 x 29/37mm knockouts (top), 1 x Ø29 and 1 x Ø23 knockout (bottom).
Will accept FL13 flanges top and bottom
BS EN 60309

Switch can be locked in open or closed position.
Suitable for top entry 2 x M32 or 2 x M40 or bottom entry 2 x M32 or 2 x M40
BS EN 60309



Commando

mkelectric.co.uk



Technical Hotline
+44 (0)1268 563720

Commando

Protective Covers For Inlets

Earth Lead Adaptors and Blanking Plugs

Commando Industrial Plugs and Sockets



9960BLK



MK9933



MK9934



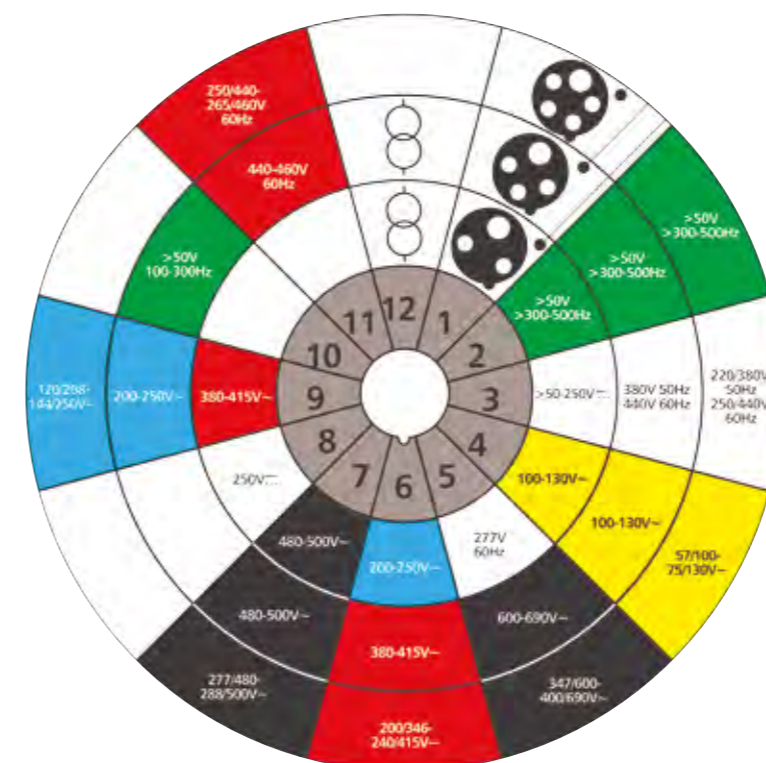
By referring to the chart below, it can be seen that there can be no interchangeability of products as the earth socket tube is placed in a different 'clock' position according to the voltage and frequency. This clock position is determined by looking into a socket-outlet from the front with the key-way at the bottom.

Unless otherwise stated all frequencies are 50-60Hz.

RATING CODE

The rating code which is found on the rating label of each accessory gives details of rated current, rated (operating) voltage (or range of voltages), rated frequency (if not 50/60Hz) and a symbol to indicate the position of the earth contact.

(i) For all products (except extra low voltage) the position given is that of the earth pin when a socket-outlet/connector is viewed from the front with the key-way at the bottom. When viewing a plug/ appliance inlet from the front with the key at the bottom, the position of the earth pin is reversed, i.e., a 10 o'clock will appear at 2 o'clock and other positions are relative.



9960BLK
FOR 2P+E, 16A
NO 125A OFFERING
9966BLK
2P+E, 3P+E, 32A
9967BLK
FOR ALL 63A (IP44)

1 MK9933
M20 X 1.5/ M20 X 1.5 THREAD SIZE
USED ON ALL 16A SOCKET OUTLETS
AND APPLIANCE INLETS (EXCEPT
INTERLOCKED). ALSO USED ON
16A AND 25A SAFETYSWITCHES

1 MK9934
M25 X 1.5/ M25 X 1.5 THREAD SIZE
USED ON ALL 32A SOCKET OUTLETS AND
APPLIANCE INLETS (EXCEPT INTERLOCKED)

1 9936
PG21/ M25 X 1.5 THREAD SIZE
USED ON 16A & 32A INTERLOCKED
SWITCHSOCKET OUTLETS

1 MK9937
M32 X 1.5/ M32 X 1.5 THREAD SIZE
USED ON ALL 63A SOCKET OUTLETS AND
APPLIANCE INLETS

MK9937 must not be used on installations that are rated above 63A.