

# Masterseal Switches

1:3



**PRODUCT RANGE**

10 & 20 amp Switches	
10A, 1 gang, one-way SP	56400 GRY/WHI
10A, 1 gang, two-way SP	56401 GRY/WHI
10A, 1 gang, two-way DP	56406 GRY/WHI
10A, 2 gang, one-way SP	56402 GRY/WHI
10A, 1 gang, two-way SP "Bell"	56407 GRY
10A, 1 gang, two-way SP "Press"	56408 GRY/WHI
10A, 1 gang, one-way DP, Press to make "Press"	56409 GRY
Photo-electric Dawn/Dusk switch	56748 GRY
Enclosures	
1 gang	56420 GRY/WHI
1 gang and neon window	56421 GRY/WHI
2 gang	56422 GRY/WHI
Secret Key Switch	
20A, 1 gang, two-way SP, marked "EMG LTG TEST"	56411 GRY/WHI
20A, 1 gang, one-way DP	56412 GRY/WHI



## Masterseal™ Switches

### Description

A range of switches and enclosures specifically designed for use outdoors or in areas heavily exposed to dust and/or splashing water. Constructed from extremely robust polycarbonate, the range is sealed to IP56 against dust, water and is impact resistant. Masterseal is easy to install and the large rocker switches and clip in modules make it easy to use, even when wearing heavy gloves.

### IP56 Protection

Each digit in the IP (Ingress Protection) rating denotes resistance to dust and water. The Masterseal IP56 rating breakdown as follows:

IP	5	6
Ingress protection	Dustproof to sawdust, dust and other small particles	Waterproof to strong jets of water, from any direction

### Impact Resistance

All Masterseal products have an impact resistance equivalent to a 500g object falling from a height of 40cm.

### Boxes

Rear entry back boxes (56504, 56505) are to be used in 'tamper proof' surface mounted situations or flush mounting when used with Flush Mounting Bezels (56502, 1 gang/56503, 2 gang). These boxes must also be used if cable or conduit enters the enclosure from the rear.

### Standards and approvals

Switches and enclosures comply with BS 3676: Part 1: 1989 and are IP56 to BS EN 60529: 1992

Switch modules comply with BS 3676: Part 1: 1989

All products comply with or allow compliance with the 16th Edition of the IEE Wiring Regulations (BS 7671).

### Features

- IP56 protected to BS EN 60529: 1992
- Winner of Electrical Review industry awards
- Ideal for gardens, workshops, industry, farm buildings, swimming pools etc.
- Large, easy to use rocker switches
- Wide range of switch modules and accessories make Masterseal versatile
- Easy to install: captive, backed out terminal screws, clearly marked top facing terminals, push fit knockouts and conduit entries
- Switch modules snap into position
- Smooth, curved design is aesthetically pleasing and adds to strength

**Masterseal  
Switches**

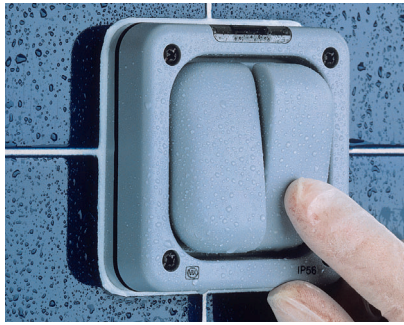
2:3



TECHNICAL SPECIFICATION	
<b>Electrical</b>	
Voltage rating: 250V a.c., 50 Hz	
Current rating: 10 or 20 amps – no derating when used on fluorescent or inductive loads.	
Load type: No restriction	
<b>Physical</b>	
Ambient operating temperature: -5°C to +40°C	
IP rating: IP56	
Max. installation altitude: 2000 metres	

**Installation**

There are four mounting options for the Masterseal range:



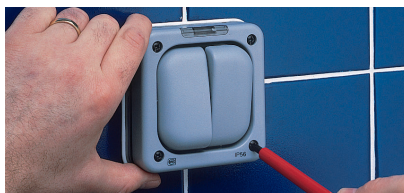
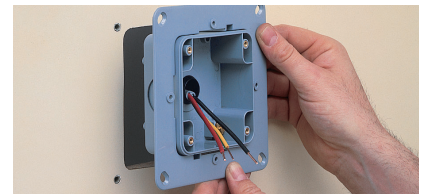
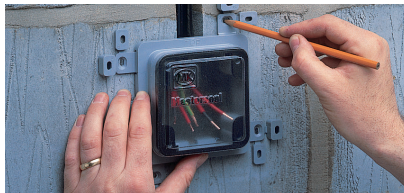
**Flush mounting for plaster/tiled walls**

Ideal for environments where hygiene is paramount, for example, hospitals. The Flush Mounting Frame is provided with spacers which are used to adjust the height of the box depending upon the depth of plaster, tiling or rendering to be applied to the mounting surface.



**Flush mounting for any finished surface**

The Bezel provides an alternative method of flush mounting in areas where hygiene is important e.g. food preparation areas. This bezel can be used on any finished surface e.g. brick or cavity walls. The bezel should be used in conjunction with the rear entry back box.



**Surface mounting, rear entry**

This option is for use in 'tamper proof' environments e.g. schools and public areas. For this application the cable or conduit enters the Masterseal enclosure from the rear only (there are no side entries).



**Surface mounting for side entry conduit**

The basic Masterseal unit comes complete with a standard surface mounting back box. This enables top, bottom or side entry for the cable or conduit.

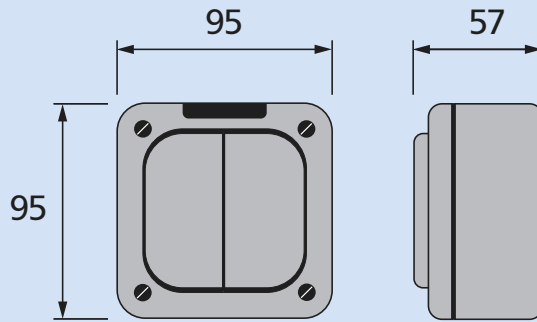
**Masterseal**

**Switches**

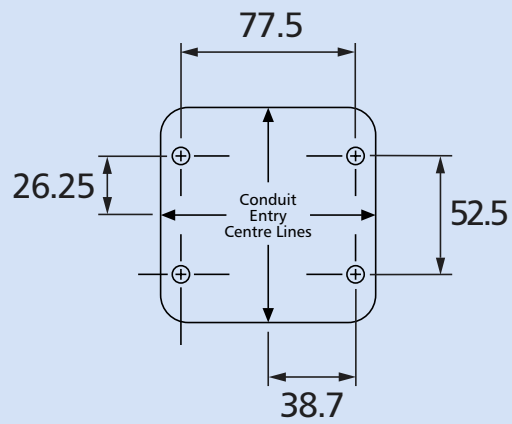
3:3



**Dimensions (mm)**



**Masterseal fixing dimensions**



**Flush Mounting Bezels**

