

Installation Instructions for the 100mm 4" / 120mm 5" / 150mm 6" Standard, Pullcord, Humidity, Humidity Pullcord and Timer Extractor Fans

Important Notes

- (i) When installing fan through an external wall, an external wall grille must be fitted at all times.
 - (ii) This fan must be installed by fixed wiring only. A flexible cord should not be used.
 - (iii) A double pole fused spur having a contact separation of at least 3mm in all poles **MUST** be used and fitted with a 3 amp fuse, and must be sited outside any room containing a shower or fixed bath. The fan must not be accessible to a person using either the shower or bath. Fan to be fitted a minimum of 1.8 metres from floor. When fitting through an external wall, an external grille must be fitted at all times.
 - iv) When the fan is mounted on the wall it **MUST** be installed with the PCB and connection terminals at the TOP as shown in diagrams 1, 2 & 3.
 - v) This product should be fitted by a competent person who is aware of Part P Building Regulations. All wiring must comply with current IEE Regulations. Must be securely fixed and the cable must be a minimum of 1mm sq in section. If in doubt contact a qualified electrician.
 - vi) For best results this extractor fan should be fitted as high on the wall as possible, or if preferred, on the ceiling.
 - vii) Do not install the unit in a shower cubicle.
 - viii) Switch off mains supply before making electrical connections.
If in any doubt contact a qualified electrician.
 - viii) This fan is double insulated and does not require an earth
1. Cut a hole in the wall to suit the fan and ducting (112mm/4" for 4" 140mm/5" for 5" and 173mm/6" for 6").
If the fan is to be fixed in the ceiling ensure that the hole is between the joists.
 2. Fix ducting flush to the plaster of the wall or ceiling.
 3. Remove the front cover. To remove the front cover, first remove the hole plug than using screw driver to remove the self taping screw, then cover can be remove unclip.
 4. Hold the body of the fan against the wall or ceiling and mark the four screw holes and the cable entry.
IMPORTANT: Ensure that the fan is square on the wall or ceiling.
 5. Bring the power cable into position, as marked. Allow an extra 230mm (9") protruding to facilitate connection.
 6. Replace front cover and secure using the front cover screw and insert the hole plug in screw hole.
(screw and plug clipped on chassis)

Wiring of Humidity Model - Diagram 1

For this fan to operate as a normal Time Delay Unit with Humidity Override, i.e. when connected to a Switched Live Supply coming from the light switch into the Fan, the Fan will operate when the light is switched on and will switch itself off after the pre-set time. However, should the humidity rise above the pre-set level the Fan will switch on and continue to run until the humidity falls 5% below the pre-set level. In some cases, in a new house for example, the Fan will continue to run for extended periods, as the humidity will be high. It is, therefore, advisable that in normal situations the Fan be pre-set at between 0% and 80% RH. In exceptional circumstances e.g., very humid days in the Summer, the Fan may well switch on at 80%. This is not unusual and a higher setting may be preferable.

For the fan to operate a normal time delay unit with humidity over-ride i.e. when connected with a switch live coming from the light switch into the fan. The fan will operate when the light is switched on, and switch off after about 20 seconds to 20 minutes (timer is pre-set for the minimum). However should the humidity in the room reach about 75%, which will happen if the shower is run or the bath filled with hot water, the fan will switch on and keep running until the humidity has been reduced to a normal level, about 65%. Requires neutral, switch live and perm live supply. Refer to internal wiring label and Diag 2 of this instruction for correct connection.

NOTE: When the humidity fan is first installed they can run continuously for several hours.

Wiring of Humidity Model (Humidity Sensor with Pullcord Override)

This fan requires a permanent live and permanent neutral supply. Refer to internal wiring label for correct connection. The fan will operate should the humidity in the room reach to a higher level than the sensor detects and will run continuously until the humidity level is reduced. The fan is fitted with a pullcord override that will operate the fan when the humidity is not high enough to operate the sensor.

Wiring of Humidity Model (Humidity Sensor Only)

This fan requires a permanent live and permanent neutral supply. Refer to internal wiring label for correct connection. The fan will operate should the humidity in the room reach to a higher level than the sensor detects and will run continuously until the humidity level is reduced.

Wiring of Standard Model - Diagram 2

This fan can be either operated from a suitable remote switch or a separate pullcord switch fitted to the ceiling of the room or can be connected to the light switch so that the fan will start when the light is switched on. The cable from the fan must be connected to a double pole fused spur having a contact separation of at least 3mm in all poles, it must be used and fitted with a 3 amp fuse, and should be sited outside any room containing a shower or fixed bath. The fan should not be accessible to a person using either the shower or the bath.

Wiring of Pullcord Model - Diagram 2 (THIS MODEL IS NOT SUITABLE FOR CEILING FIXING)

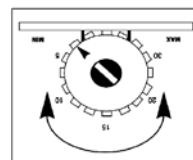
This fan has its own integral pullcord on/off switch. The cable from the fan must be connected to a double pole fused spur having a contact separation of at least 3mm in all poles, it must be used and fitted with a 3 amp fuse, and should be sited outside any room containing a shower or fixed bath. The fan should not be accessible to a person using either the shower or the bath.

Wiring of Timer Model - Diagram 3

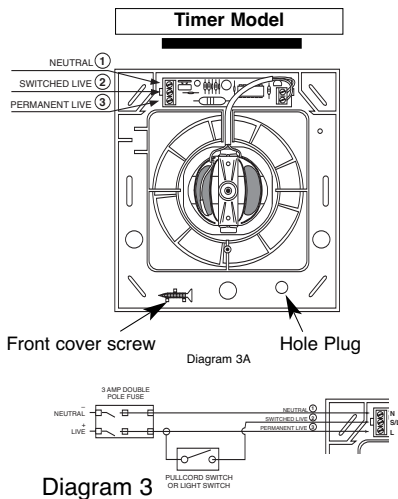
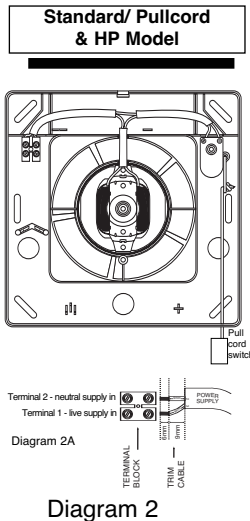
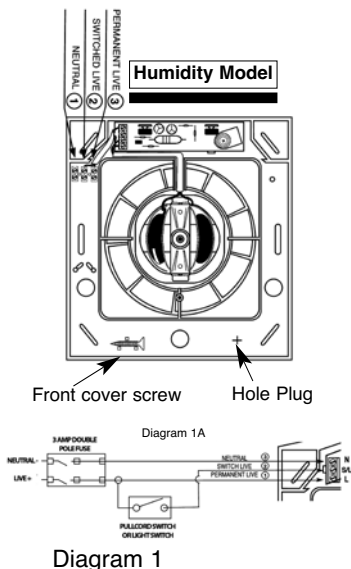
The fan can be either operated from a separate pullcord switch fitted to the ceiling of the room or can be connected to the light switch so that the fan will start when the light is switched on. A double pole fused spur having a contact separation of at least 3mm in all poles must be used and fitted with a 3 amp fuse, and should be sited outside any room containing a shower or fixed bath. The fan should not be accessible to a person using either the shower or the bath.

Timer Adjustment

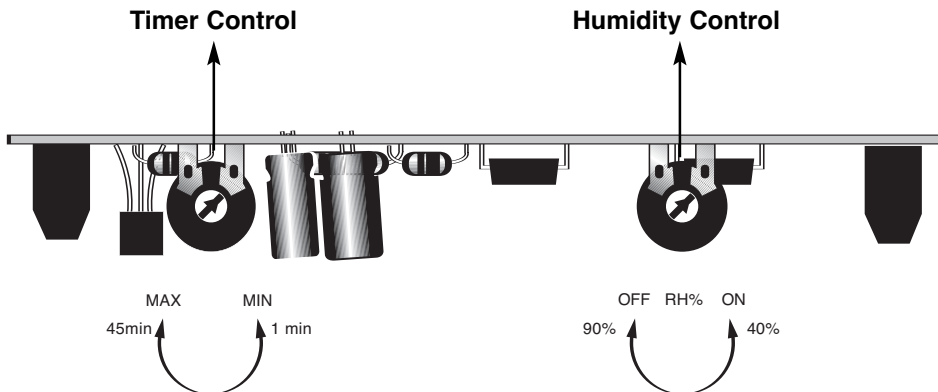
The Timer fan will run approximately one minute after it has been switched off. This time delay can be increased by firstly switching off the power to the fan. Remove the timer cover and bracket and carefully turn the thumb wheel clockwise to reduce the time and anti-clockwise to increase the time. **Only adjust with power switched off.** The timer will run for is 20 seconds and the maximum is about 20 minutes. **NB Timer delay is adjustable as indicated on the timer strip cover.**



Thumb Wheel Timer Adjuster



OPERATOR INSTRUCTIONS HUMIDITY OPERATED TIME DELAY CONTROL



The timer and humidity adjustments are as the normal instructions

WARNING:

This appliance is not intended for use by persons (including children) with reduced physical, sensory or mental capabilities, or lack of experience and knowledge, unless they have been given supervision or instruction concerning use of the appliance by a person responsible for their safety.

Children should be supervised to ensure that they do not play with the appliance.

Precautions must be taken to avoid the back-flow of gases into the room from the open flue of gas or other open-fire appliances when mounted in outside windows or walls.

Fan must be disconnected from electrical power before any maintenance is carried out.

