

Product Code: CL7G
Conlok Malleable Conduit Box



Description

20mm Branch Y Conlok Conduit Box

Finish

Hot Dipped Galvanised

Material

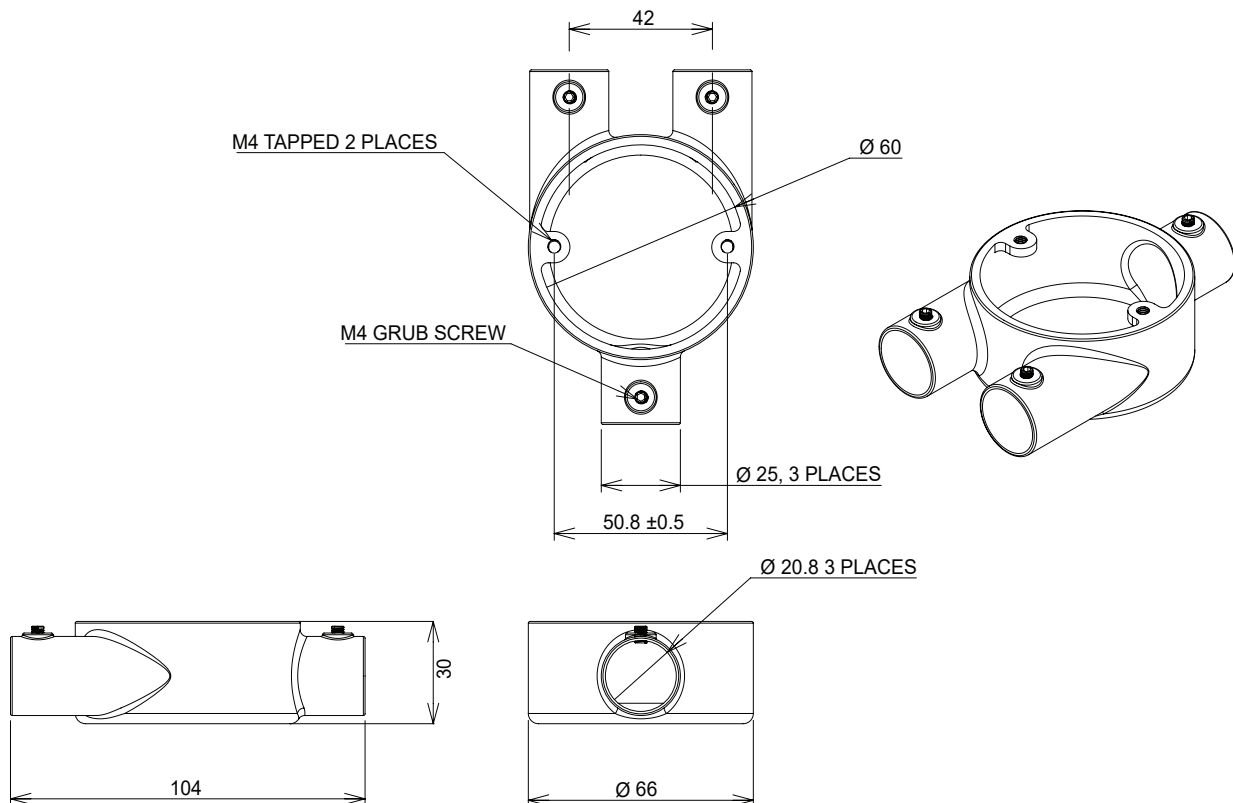
Malleable Iron

Packaging

Packed in qty 10

Additional Notes

Conforms to BS EN 61386-21:2021+A11:2021
Supplied with 12.9 Grade grub screw
1 x Allen key supplied in each inner box



⊕ Values are nominal and with a general tolerance $\pm 5\%$ unless otherwise specified