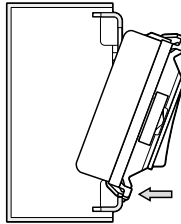
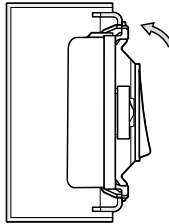
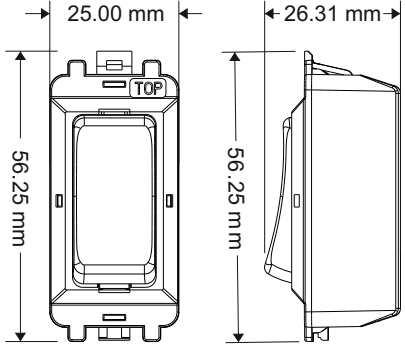


# QUGDGD

## Wireless Knightbridge Grid Switch Instructions 80\*60mm

 <p style="font-weight: bold; font-size: 1.2em;">QUGDGD</p> <p style="font-weight: bold;">Wireless Grid Switch</p> <p>Knightsbridge Grid Compatible</p> <p style="margin-top: 20px;">Installation Instructions</p> <div style="display: flex; justify-content: space-around; margin-top: 20px;">       </div> <p style="font-size: 0.8em; margin-top: 5px;">Self Powered   No Radiation   No Maintenance   No Wiring   Durable   Cost Saving</p>	<p>Read instructions carefully before installation</p>  <p style="font-weight: bold; font-size: 1.2em;">Wireless Grid Switch</p> <p>Knightsbridge Grid Compatible</p> 	<p><b>Specifications</b></p> <p><b>Wireless Grid Switch Technical Parameters:</b></p> <p>Work Type: Push Type Button          Power Source: Micro energy acquisition and self generating (no battery required)          Number of Keys: 1 (1 gang)          Control Distance*: 30m (indoor)          Communication Model: FSK          Work Frequency: 433Hz          Work Environment Temperature: -20°C ~ 55°C          Control Method: Pairing with Quinetic Wireless Controller          Compatible with Knightsbridge Grid Switch Plates          Interchangeable Switch Cover          Life Time: 200,000 times on/off          3 Year Warranty</p>  <p style="font-size: 0.8em; margin-top: 10px;">* Distance comes from Quinetic laboratory test result. The actual distance in practical use might vary due to environmental difference.          NOTE: The grid metal plate or cover might reduce the control distance, as the metal will cause electromagnetic shielding that blocks the RF signal.</p>
---	--	---

<p><b>Wireless Grid Switch Operation:</b></p> <p>The Quinetic wireless grid switch is compatible with Knightsbridge grid system and can be installed into Knightsbridge grid plates. It can be used with the standard or with the dimming Quinetic receiving controller (see controller instructions for more details about pairing). The switch cover is interchangeable.</p> <p><b>Dimming Operation:</b></p> <p>When paired with dimming Quinetic receiving controllers the grid switch can also dim the lights:          Pressing the switch quickly will turn the light ON/OFF.          Keep the switch pressed to dim the light to the desired level.          While the switch is pressed the lights will go down from 100%-0% and they will go up from 0-100% cyclically.</p> <p><b>Quinetic Switch and Controller Wireless System:</b></p> <p>The wireless Quinetic grid switch and wireless receiving controller can be paired in any combination: a controller can be controlled by a maximum of 10 separate switches, a switch can pair with an unlimited number of controllers.</p>	<p><b>Installation Instructions:</b></p> <ol style="list-style-type: none"> <li>1. Ensure the mounting box is securely fixed to the wall.</li> <li>2. Carefully push the Quinetic grid switch module back through the grid frame until the clip on the top of the module has clicked into place (Fig. 1).</li> <li>3. Ensure no conductors in the mounting box are pinched or trapped.</li> <li>4. If necessary the modules can be removed by placing the blade of a screwdriver just above the top clip and carefully levering it out (Fig. 2).</li> <li>5. Place the front plate over the assembly and secure it with the screws provided. Do not over tighten the screws, to do so may damage the front plate, fixing screws or grid frame.</li> </ol> <div style="display: flex; justify-content: space-around; margin-top: 10px;">   </div> <p style="text-align: center; margin-top: 5px;">Fig. 1                      Fig. 2</p>	<p><b>Product dimensions:</b></p> <div style="text-align: center; margin-top: 10px;">  </div> <p style="text-align: center; margin-top: 20px;"><b>QUINETIC</b></p> <p style="font-size: 0.8em; margin-top: 5px;">*For more information about pairing, instructions and troubleshoot please visit <a href="http://www.tlc-direct.co.uk">www.tlc-direct.co.uk</a> website.</p>
---	---	---