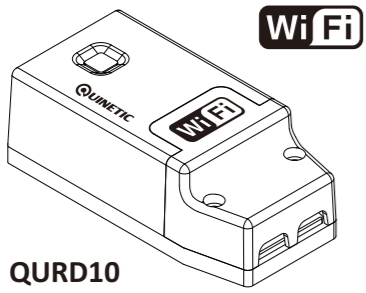


QURD10

0-10V Dimming WiFi Controller Instructions 80*60mm



QURD10

Read all instructions before installation

Specifications

0-10V Dimming WiFi Wireless Receiving Controller Technical Specifications:

Product Code: QURD10
 Voltage range: 100-240V/AC 50/60Hz
 Working environment temperature: -20°C ~ +55°C
 Control distance*: 50m outdoor, 30m indoor
 Output Signal: 0-10V / 20mA
 Standby Power: <0.8W
 Dimming Range: 0-100%
 Wireless Communication: WiFi 2.4G & RF 433Mhz
 ON/OFF and dimming control
 Capacity: Up to 10 switches can be paired with one controller
 Control method: WiFi through Device APP (search "Kinetic Switch" in store) and pairing with Quinetic Wireless Switch (see instructions)

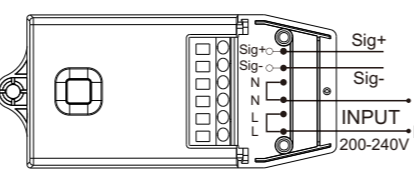
Integrated push-in terminals for quicker installation

*Distance comes from Quinetic laboratory test results. The actual distance in practical use might vary due to environmental difference.

Wireless receiving controller installation

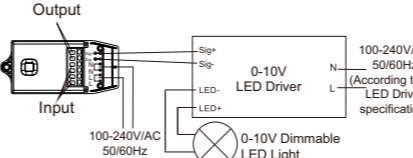
- Ensure that the power is turned off before installation.
- The wireless receiver/controller line input should be connected using live and neutral cable from mains.
- Output lines (Sig+ and Sig-) should be connected to the 0-10V driver that is controlling the lights (see diagram below).

Wiring Instructions

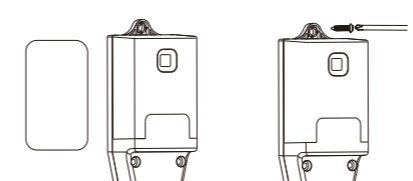


Sig+: Positive Signal Output
 Sig-: Negative Signal Output
 N: Neutral Line
 L: Live In
 Lout: Live Out

Extended Wiring Instructions



- Use the double-sided adhesive tape or screw to fix the wireless receiving controller.




Installation method 1: Paste with double-sided adhesive tape on clean surface.
 Installation method 2: Fix into expansion screw in the wall.

Smart Device APP Download:


The free Kinetic Switch App is required to operate your WiFi controller. Ensure your iOS / Android device is connected to the internet using a **2.4Ghz Wi-Fi network**. Please disable the 5Ghz network from your router or split the 2.4Ghz and the 5Ghz networks before connecting the device.

Method 1:

- Open the App store/Google Play on your phone.
- Search for "Kinetic Switch" in the App store or Google Play.
- Download the Kinetic Switch App to your phone.



Method 2:
 Or you can download the app using the QR codes below:




IOS Android

Device pairing*:

The initial setup must be performed using your Wi-Fi network. Ensure your iOS / Android device and Quinetic controller are connected to the internet using the same 2.4Ghz Wi-Fi network. Once it has been set up you can control your Wi-Fi device via Wi-Fi or 3G/4G/5G from anywhere in the world.

- After downloading the APP follow the prompts to register the account.
- Turn on power to the controller and follow the steps on the APP to set the receiver to rapidly blink.
- Follow the prompts to select the controller model for quick pairing.



Using Amazon Alexa/Google Home to control your WiFi Controller

Note: We would recommend naming the devices in your Kinetic Switch app something that is easy for Alexa or Google Home to understand.

In order to integrate the Kinetic Switch app with Amazon Alexa/Google Home you need:

- 1) Amazon Alexa APP / Google Home APP
- 2) Amazon Alexa / Google Home account (users need to register their own account)
- 3) Echo, Echo Dot, Tap or other Amazon voice-operated devices.
- 4) Google Home, Google Home Mini or other Google voice-operated devices.

Enable Smart Life skill/action in your Alexa / Google Home APP

Search for "Smart Life" skill and add it to the Alexa APP "Smart Home" skills. For Google Home search for "Smart Life" action and add it to Home Control. Enable the skill/action in your Alexa/Google APP and input the name and password used to register the Kinetic switch APP to link it with Alexa/Google APP.

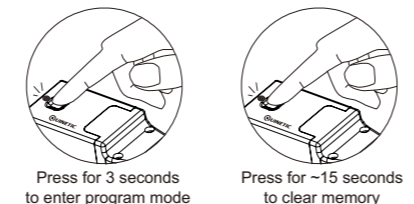
Voice control can be used now to control the Wifi device such as follows:
 "Alexa/Ok Google, turn on/off [kitchen light]"
 "Alexa/Ok Google, set [bed light] to 50 percent"
 "Alexa/Ok Google, brighten/dim [bedroom light]"
 "Alexa/Ok Google, turn on [phone charger]"

WiFi controller switch pairing method*:

Dimming Wireless Quinetic energy switch and dimming WiFi wireless receiving controller can be paired with any combination: a controller can be controlled by a maximum of 10 separate switches, a switch can pair an unlimited number of controllers. The range of a switch may also be extended by using a second intermediate controller and putting it into "Bridging Mode".

Code pairing steps & dimming:

1. Press the function button for 3 seconds and the indicator light begins to flash slowly. Release the button to enter the single pairing state.
2. Press the wireless kinetic energy switch and the indicator light on the controller will go out, which means that the pairing is successful.
3. Pressing the switch quickly will turn the light ON/OFF. Keep the switch pressed to dim the light to the desired level. While the switch is pressed the lights will go down from 100%-0% and then will go up 0-100%.
4. The controller will dim the lights for 2 cycles and it will stop dimming when it reaches maximum brightness after the 2 cycles.
5. To change the dim/brighten direction release button and long press again within 1 second.



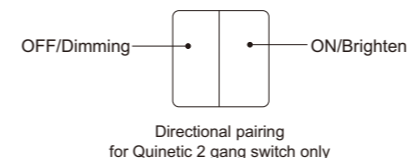
Press for 3 seconds to enter program mode Press for ~15 seconds to clear memory

6. If you need to add more switches to the same controller, repeat the above process; each controller can store up to 10 switches, pairing in formation.
7. Single, double and triple switches follow the same pairing method.
8. In order to put the controller in to bridging mode press the function button for 7 seconds. The indicator light will pulse continuously to indicate a successful "bridge". The bridging mode can be toggled off using the same pairing steps.
9. If the controller indicator light continues to pulse the controller will still function normally even if used with a single switch.
10. To clear the controller stored pairing information press function button for 15 seconds until the indicator light goes out - the pairing information will be deleted.

Directional pairing method:

The directional pairing mode supports only 2 gang Quinetic dimmable switches. Directional pairing mode allows one gang to turn OFF and dim the light and the other gang to turn ON and brighten the light.

1. Press the function button for 3 seconds and the indicator light begins to flash slowly. Release the button to enter the pairing state.
2. Press any gang of the wireless kinetic energy switch four times quickly (within 0.5 seconds) and the indicator light of the controller will go out, which means that the directional pairing is successful.
3. After pairing is successful, left and right gang will act as a group. Quickly press the left gang to turn OFF and the right gang to turn ON the light. Long press the left gang for dimming and the right gang for brighten.



OFF/Dimming ON/Brighten

Directional pairing for Quinetic 2 gang switch only

Precautions:

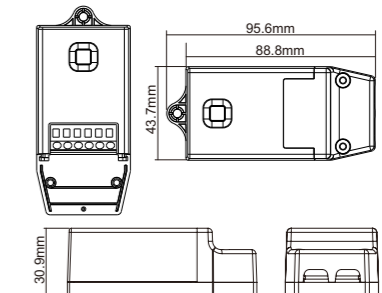
1. The wiring must be done in accordance with the method of installation illustrated.
2. Please note the Kinetic Switch APP supports only 2.4Ghz Wi-Fi Networks for pairing and the 5Ghz network must be separated or disabled.
3. Do not short-circuit, it may cause permanent damage to the receiving controller.
4. The controller has a non-replaceable internal fuse.
5. The controller will remain "OFF" after a power cut until reactivated by a switch, saving energy, reducing fire risk and protecting your appliances.
6. Damage caused by incorrect installation and operation are not covered under warranty.

Troubleshooting:

1. If pairing does not work, first check if the indicator is lit. Re-pair in case the pairing is lost after power failure.
2. WiFi internet pairing fails: confirm the light is flashing quickly (twice per second). If not, please set the light to flash quickly according to connect WiFi method. The router, receiver and phone should be as close as possible (within 5 meters).

3. The receiver is offline in APP: Router connections might reach the upper limit. Some routers allow a maximum of 15 devices. In this case please upgrade the router and close the devices which are not needed.
4. If the receiver does not respond check the LED indicator. If this does not light check the power supply.

Dimensions:



*For more information about phone APP pairing, instructions and troubleshoot please visit www.tlc-direct.co.uk website.