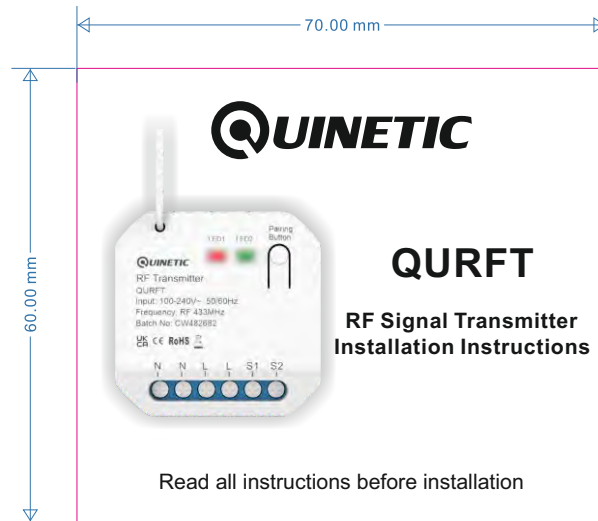
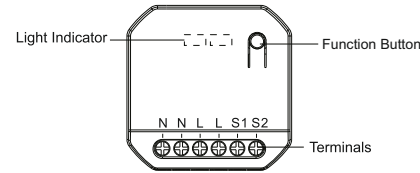


QURFT Instructions



Product Description

The Quinetic RF Transmitter is a device that sends an RF signal and wirelessly operates (ON/OFF) any Quinetic receiver whenever voltage is applied to it. After the RF transmitter is paired with the wireless receiver, it will send a wireless signal ON to the receiver when either of the S1/S2 live lines receives input signal. It will send an OFF signal to the wireless receiver when either of the S1/S2 input lines is disconnected. Each RF transmitter can be paired with multiple wireless receivers. It can be mounted in the ceiling, wall, electrical socket box, lamp panel.

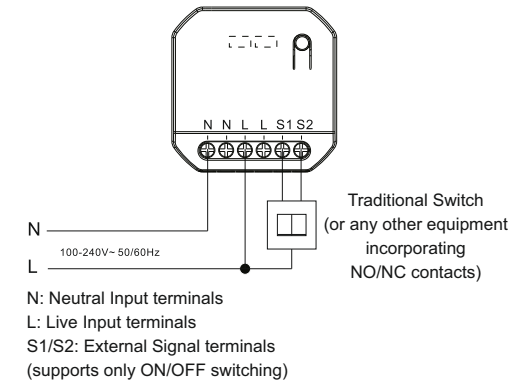


Specifications

Product Code: QURFT
Voltage Range: AC100-240V 50/60Hz
Power Supply: Neutral & Live Line
Control Distance: 80m outdoor, 30m indoor*
Communication Rate: 100Kbps
Communication Way: RF 433MHz
Capacity: Can be paired with an unlimited number of Quinetic receivers
Communication Channels: Dual Channel with LED Indicators (Red & Green)
Wiring Method: Screw Terminals
Signal Input: 2 Channels Live Line Input (AC100-240V)
Stand-by Power Consumption: <1W
Control Method: The RF Transmitter sends an RF signal and wirelessly operates (ON/OFF) any Quinetic receiver whenever voltage is applied to it
Working Environment Temperature: -20°C ~ +55°C
Product Size: L44xW44xH22mm
3 Year Warranty

*Distance comes from Quinetic laboratory test results. The actual distance in practical use might vary due to environmental difference.

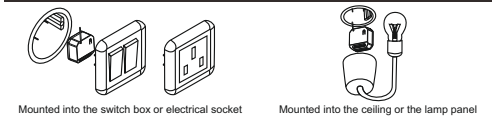
Wiring Diagram & Terminals:



Installation

1. Ensure that the power is turned off before installation.
 2. The RF Transmitter line input should be connected using live and neutral cable from mains.
 3. Input/signal lines should be connected to a traditional switch or any other equipment incorporating normally open (NO) / normally closed contacts.
 4. It can be mounted in the ceiling, wall, electrical socket box, lamp panel.
 5. If installed in a ceiling void it is recommended to use a junction box in order to avoid exposure to electrical terminals.
- NOTE:
This device is designed to be used with **latching** switches/signals and does not support momentary switches/signals.

Installation Locations



Channel Selection Instructions

QURFT RF Transmitter has **two RF outputs**. Each output can be independently paired. The transmitter has one Red LED indicator for channel S1 and one Green LED indicator for channel S2. Press the pairing button twice to **change the channels**. The red or green LED indicator will flash to indicate the channel.

Pairing Instructions

1. Press the function button on the Quinetic wireless receiver you want to pair with the RF transmitter for 3 seconds and the indicator light begins to flash slowly. Release the button to enter the pairing state.
2. Select the channel on the RF Transmitter and press the function button to pair. When the indicator light of the Quinetic wireless receiver goes out the pairing is complete.
3. Press the function button on the RF transmitter to test the signal transmission to the wireless receiver.

When S1/S2 channel of the RF transmitter receives live line input it will send an ON signal to control the corresponding wireless receiver. When the live line is disconnected, an OFF signal is sent. When the S1 or S2 channel input receives the live line input, the red indicator light will flash once to indicate successful transmission.

Bridging Mode

The QURFT RF Transmitter can be used to extend the range of a wireless kinetic switch to a Quinetic wireless receiver by setting it in "**Bridging Mode**".

In order to put the RF transmitter in **Bridging Mode** press the pairing button for 3 seconds until the indicator light flashes slowly and release the button. Press the wireless kinetic switch that needs to be bridged and the indicator light will go out. After the pairing is successful press the wireless kinetic switch and the green indicator on the transmitter will flash once. The Quinetic wireless receiver needs to be paired with the same wireless kinetic switch to recognize the bridging mode. Repeat the same pairing process if another Quinetic receiver and kinetic wireless switch need to be bridged.

Reverse Operation Mode (NC)

The RF Transmitter normally open mode (NO) can be reversed to normally closed mode (NC) as follows:
Double press the pairing button of the RF transmitter to determine the channel that needs to be reversed through the indicator light.

Then press the pairing button for 7 seconds until the indicator light goes from slow flash to on and release the button. The indicator light will flash 5 times quickly indicating that the reverse direction is successful.

Once the reverse operation mode is set, when the channel of the RF transmitter in reversed mode receives the live line input it will send an OFF signal to control the corresponding Quinetic wireless receiver. When the live line is disconnected an ON signal is sent.

Clear Pairing Information:

To remove the RF transmitter stored pairing information press the function button for 10 seconds and the indicator light will flash slowly, come on then go out. Release the button and the paired switches signal will be cleared and the bridging mode will be turned OFF.



Press the button for 10 seconds and the light will flash slowly, come on then go out.

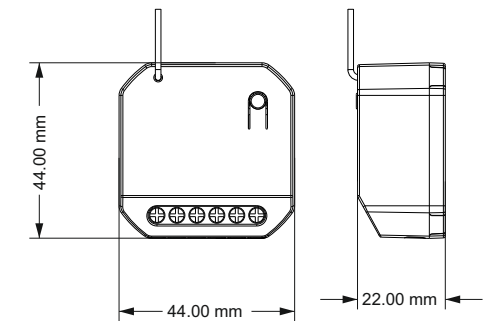
Precautions:

1. The wiring must be done in accordance with the installation instructions.
 2. Please note the maximum load of an individual controller. Exceeding this maximum will damage the controller.
 3. Do not short-circuit, it will cause permanent damage to the receiving controller.
 4. In there is a power cut the RF transmitter sends an "OFF" signal to the corresponding Quinetic receiver for safety.
 5. When power is restored the RF transmitter will remain in "OFF" position, reducing fire risk and protecting your appliances.
 6. If the contact that operates the S1/S2 input signal remains closed when the power is restored to the RF transmitter, press the function button to restore the status of the receiver.
5. Damage caused by incorrect installation and operation are not covered under warranty.

Troubleshooting:

1. If pairing does not work first check if the indicator is lit. Re-pair in case pairing has been lost after power failure.
2. If the transmitter does not respond check the LED indicator. If this does not light check the power supply.

Dimensions:



For more information about pairing, instructions and troubleshoot please visit www.ttc-direct.co.uk website.

