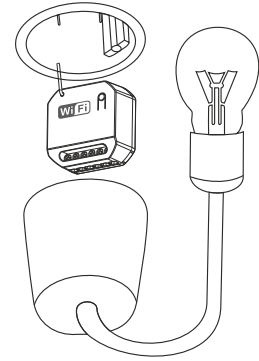
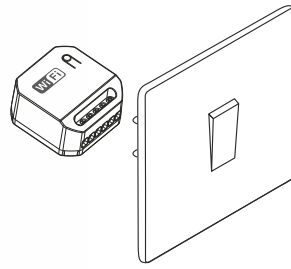
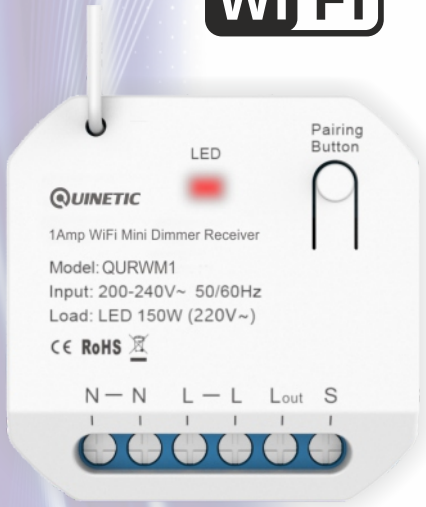


QURWM1 - Quinetic 1A WiFi Mini Wireless Switch/Dimmer Receiver

WiFi

The Quinetic WiFi Mini receiver has a 1A output and works with traditional switches for dual or multiple control, allowing easy 2 way and intermediate switching between traditional and Quinetic switches.

It can be mounted in a ceiling, wall, behind an electrical switch (N required), etc. Using the Kinetic Switch APP it can be voice controlled and easily programmed for various mood scenes as well as having a timing function. Compatible with Amazon Alexa and Google Home.



High Capacity

Small Size

Traditional Switch



With a 1A capacity output, you can switch ON/OFF and dim your lighting system.



Only 44mm x 22mm, it is small enough to hide almost anywhere.



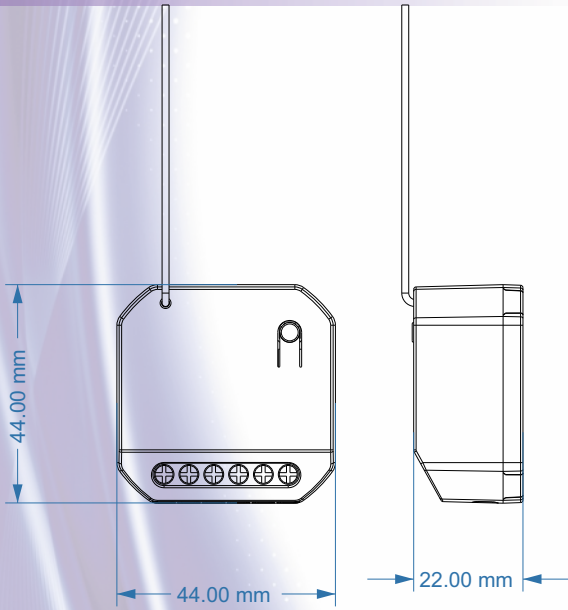
By monitoring the input signal of a traditional switch, any traditional switch can be converted into a Quinetic wireless kinetic switch.

With the help of this ultra small size wireless receiver, a traditional switch can retain the original control method and does not affect the original layout.

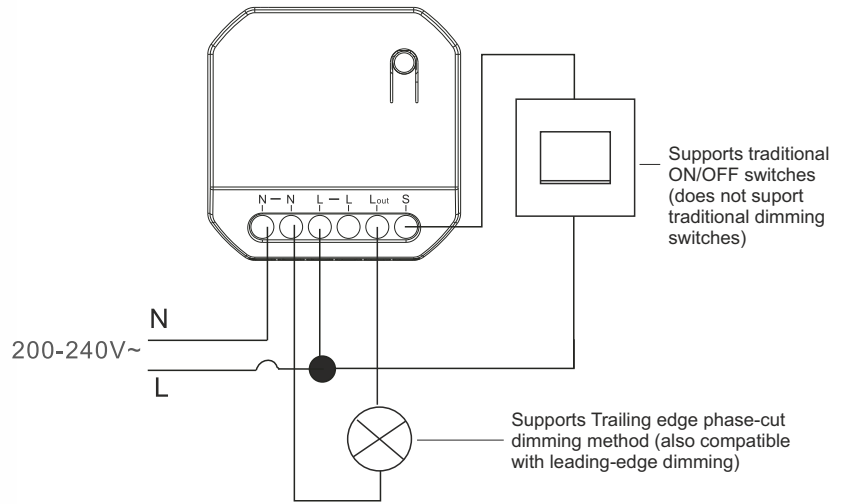
After pairing one or more Quinetic switches to the receiver it is easy to achieve 2 way or multiple lighting control. One receiver can be paired with up to 10 wireless switches.



Dimensions:



Wiring Diagram & Terminals:



N: Neutral Input terminals

L: Live Input terminals

L-out: Live output terminal connected to light/load

S: Input terminal for traditional switch

Technical Parameters

Product Model	Ultra Small Wireless Receiver
Operating Voltage	AC 200V-240V 50/60Hz
Power Supply Mode	Live and neutral cables
Output	Single channel dimmable
Rated Current	1A (150W LED maximum load)
Protection Level	IP20
Communication Way	RF 433MHz & WiFi 2.4G
Application	Intelligent lighting control
Operating Distance	80m (outdoors) / 25m (indoors)
ON/OFF Life	≥ 30000 times
Standby Power Consumption	<1W
Storage capacity	10pcs wireless Quinetic switch information
Installation Method	Mounted in the ceiling, wall, etc.
Wiring Method	Terminals
Product Size	L44 * W44 * H22mm
RF Receiving Sensitivity	-110dBm
Operating Temperature	-20°C ~ +55°C
Certifications/Standards	CE / ROHS / EN60669-1:2018 / EN IEC55015:2019