

Choice FSTAT Frost Thermostat



Benefits

The Choice frost thermostat is a mains voltage device designed to give automatic frost protection to boilers and pipework as well as the fabric of the building. The thermostat should be fitted in the coldest areas, e.g. loft spaces, floor voids, garages, etc.

Features

- Bi-Metallic temperature sensing element
- Suitable for surface or switch box mounting
- -5 to 25°C setpoint range
- Tamper resistant cover fitted with accelerator heater

Applications

Designed to ensure heating will switch on whenever frost conditions are detected.

Technical Data

Power supply:	230 Vac, 50 Hz
Temperature control range:	-5 to 25°C
Load rating (1-3):	10A / 250 Vac
Ambient Max:	T50
Protection rating:	IP20
Dimensions:	78mm x 78mm x 36mm

Electrical Connections

Internal Wiring Diagram

Wiring

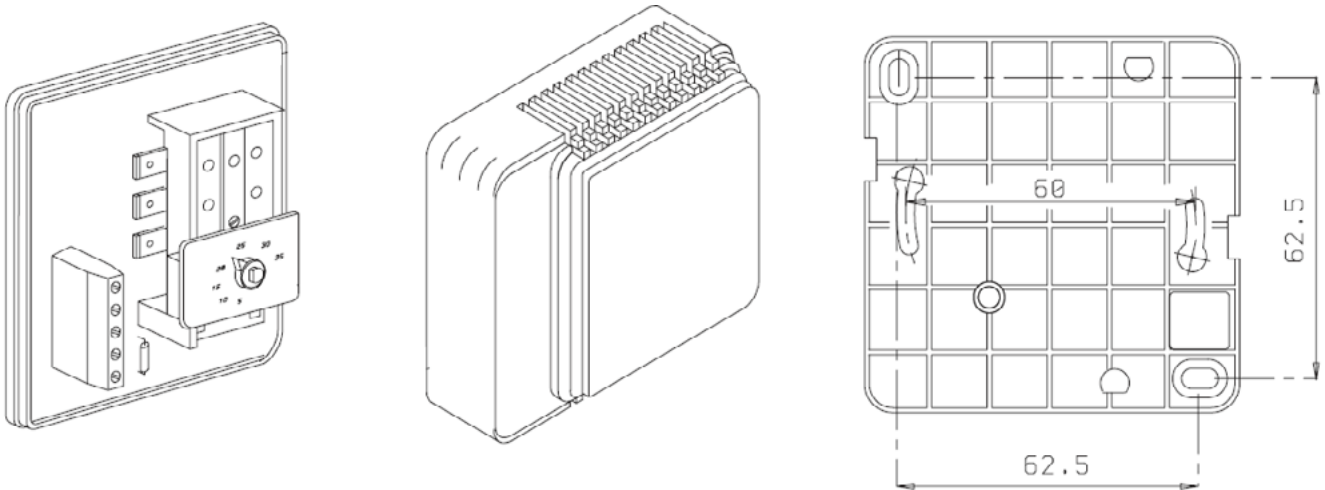
Terminal 1 = Live In

Terminal 2 = Not Used

Terminal 3 = Heater Load

Terminal 4 = Neutral

The thermostat is provided with an accelerating resistance which must be connected in order to obtain the accurate performance. The terminal 4 has thus to be connected to the neutral.



Contact Us: 01475 745131

CUSTOMER CARE POLICY

As part of Sangamo's continuous improvement program, the Company operates a Customer Care Policy. This means that we welcome your comments and complaints, as it can only help us to improve our services to you, our customer.

SANGAMO

Sangamo Limited, Industrial Estate, Port Glasgow,
Renfrewshire PA14 5XG

Tel: 01475 745131 Fax: 01475 744567

Email : enquiries@sangamo.co.uk Web: www.sangamo.co.uk