

## CHPPR1 1 Channel Programmer Installation Instructions

The latest ESP product manuals can be found on-line:



### 1 / Specifications

- Power Supply: 230V AC, 50Hz
- Operating Temperature: 0°C to 40°C
- Switch Rating: 230V AC, 2(1)A per channel
- Battery Type: Lithium Cell CR1225
- Enclosure Protection: IP30
- Plastics :Thermoplastic, flame retardant
- Wiring: For fixed wiring only
- Clock: 12 hour am/pm, 1 minute resolution
- Clock Accuracy: +/- 1.5 sec/day
- Memory Reserve: Permanent reserve setting
- Dimensions: 140\*88.6\*32.1mm
- Mounting: Surface mounting with wall plate
- Accessory Pack: 2x M3.5\*30mm screws, 2\* PA3.5\*30mm and 2\* Rawl plugs

### 2 / Front View and Back View:

Fig. 1 and Fig. 2 show the front view and the back view of the Switch respectively.

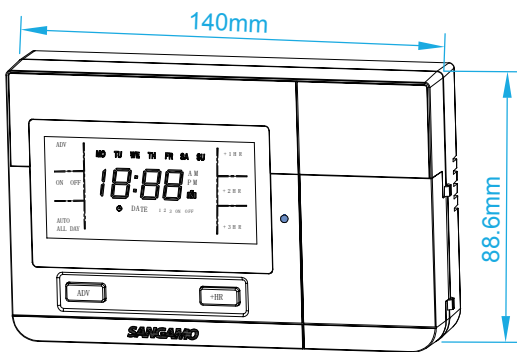


Fig. 1 Front View

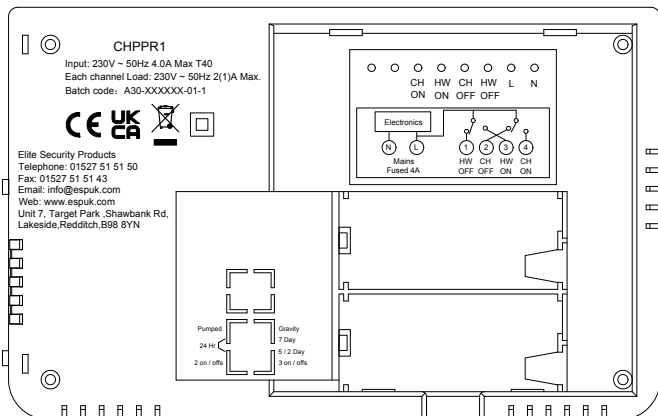


Fig. 2 Back View

### 3 / Wiring Diagram

Connect the 230V 50Hz mains supply and load cables to the terminal block which are marked as follows.

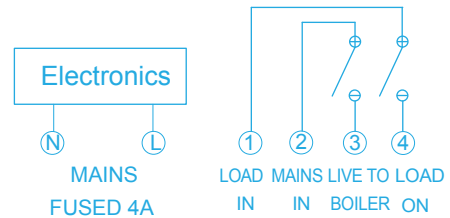


Fig. 3 Wiring Diagram

- ⚠ Warning: Please make sure power is turned off before starting installation!
- ⚠ Note: connect to terminals 2 & 3 only if the service function is to be used!

### 4 / Pre-Installation Set Up:

Before installation, the installer needs to set the DIP switches first. The DIP switches are located on the rear of the programmer (see Fig. 4).

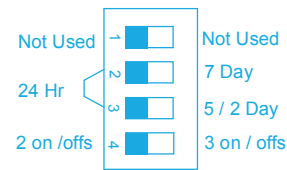


Fig. 4 DIP Switches Setup

- 24 Hr Runs same programme every day.
- 5/2 Day Allows different on/off times at weekend.
- 7 Day Allows different on/off times every day.

### 5 / Installation Guide:

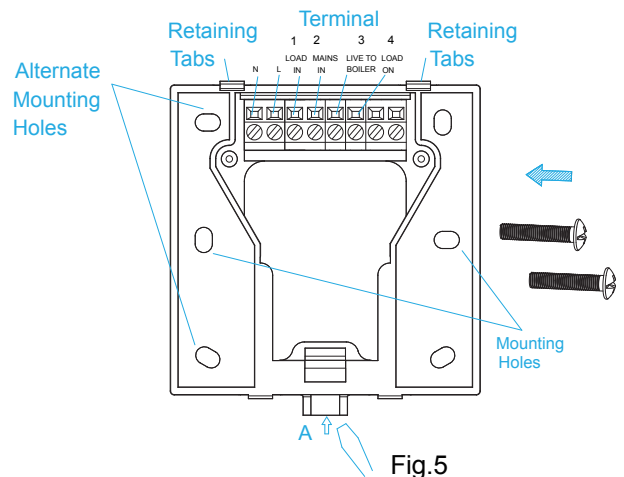


Fig.5

1. Remove the mounting plate from the unit by prying off the mounting plate in position A (as showing in Fig. 5) with a screwdriver, and pivoting the bottom of the unit outwards. The CHPPR1 body can then be lifted off.
2. Using mounting screws provided secure the mounting plate directly to the wall or the pattrass box.
3. Set the required DIP Switch position (refer to DIP Switch Setting above).
4. Carefully remove the plastic terminal cover. All necessary electrical connections should now be made. Ensure that the wiring to the back-plate terminals leads directly away from the terminals and is completely enclosed within the back-plate aperture. Wire ends must be stripped and screwed to the terminals so that minimal bare wire is showing.
5. Engage the top of the CHPPR1 onto the mounting plate retaining tabs, and push firmly to reinstall the unit onto the mounting plate.

## 6 / Service Interval Function Setting:

As default the CHPPR1 is without service interval function. To initiate the service function; long press the “+” and “-” button simultaneously for 5 seconds to enter the service interval function

1. the software version will be displayed. For example, if the software version is 1.1, the display will show 1:01 (see Fig.6).

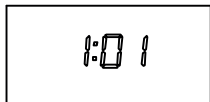


Fig.6



Fig.7

2. For initial installation, the installer needs to set a PIN code first. Press NEXT button, the 3-digit entry code will now be displayed (see Fig. 7). The first digit will be flashing, to indicate it can be changed. Use the “+” or “-” buttons to set the first digit.

3. Press NEXT button again, the first digit will stop flashing and the second digit will begin to flash, indicating it can be changed. Proceed in this way to set the 3 digits of the PIN code. Please take a note of the PIN code.

4. Press NEXT button again, the display will flash 0 or 1. 0=disable service interval function(default), 1=enable service interval function. Use the + or - buttons to change the digit. If disable service interval function, press NEXT button to return to run mode. If enabling service interval function, press NEXT button to set service period and shutdown programmer as below.

5. Press NEXT button again, it will access to service period(days) setting, the default days is 365, press + or - to select(0~400 settable).

6. After setting the service period, press NEXT button again to set the shutdown of the programmer. The display will flash tS (means:total shutdown, default). If press “+” button, the display will switch to flash PS(means:partial shutdown ); If press “-” button, the display will switch to flash tS again. When completing due date and shutdown programmer, press SET button to save the setting and return to run mode.

## Remark:

- After returning to run mode, if the installer wants to reset the service period or the shutdown programmer or disable the service interval function, long press the “+” and “-” button simultaneously for 5 seconds again to enter the service interval function mode setting and input the preset PIN code. If the code is incorrect, an error message will be displayed as Fig. 8. After resetting the parameters, press SET button to save the setting and return to run mode.

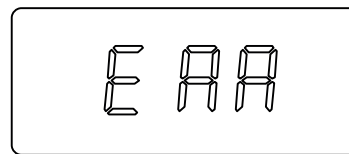


Fig.8

- If the PIN code needs to be changed, you must input the old PIN code first, and then long press the “SET” and “NEXT” button simultaneously for 5 seconds to erase the old PIN code, and the PIN code setting interface will be displayed as Fig.7. You can reset the PIN code as per the above method.
- If the PIN code is unknown, contact the ESP Technical Department with the details provided below. Please ensure that you have available Gas Safe registration number and a valid email address to receive further information.

Date Issued	Issue No	Description
J20	A30-CHPPR1-01-2	Rev.1

### Health & Safety

This unit must be installed by a suitably qualified person in accordance with the latest IEE Wiring Regulations.

Isolate mains supply before commencing installation. Please read all installation instructions before proceeding.

Example circuit diagrams for typical installations are shown. These diagrams are schematic and should be used as a guide only. Please ensure that all installations comply with the current IEE regulations. For reasons of space and clarity not every system has been included and the diagrams have been simplified, for instance some Earth connections have been omitted. Other control components shown in the diagrams i.e. Valves, Room Stats etc. are general representations only. However, the wiring detail can be applied to the corresponding models of most manufacturers.

Your product is not user serviceable. Do not dismantle this product.

Due to our policy of continuous product improvement and development, the specifications in this guide may be subject to change without prior notice.

Elite Security Products  
Unit 7, Target Park, Shawbank Road,  
Lakeside, Redditch, B98 8YN

Tel: 01527 515150  
Fax: 01527 515143  
Email: [info@espuk.com](mailto:info@espuk.com)  
Web: [www.espuk.com](http://www.espuk.com)

