

# CC601

## Full Motion TV Wall Bracket For Curved or Flat Screens

Item ref: 129.561UK

User Manual

Thank you for choosing the CC601 TV bracket. This bracket is constructed from reinforced steel to allow a screen sized from 32" to 65" and up to 45kg to be mounted on a wall safely. Designed to be easily installed and supplied with all required installation hardware.

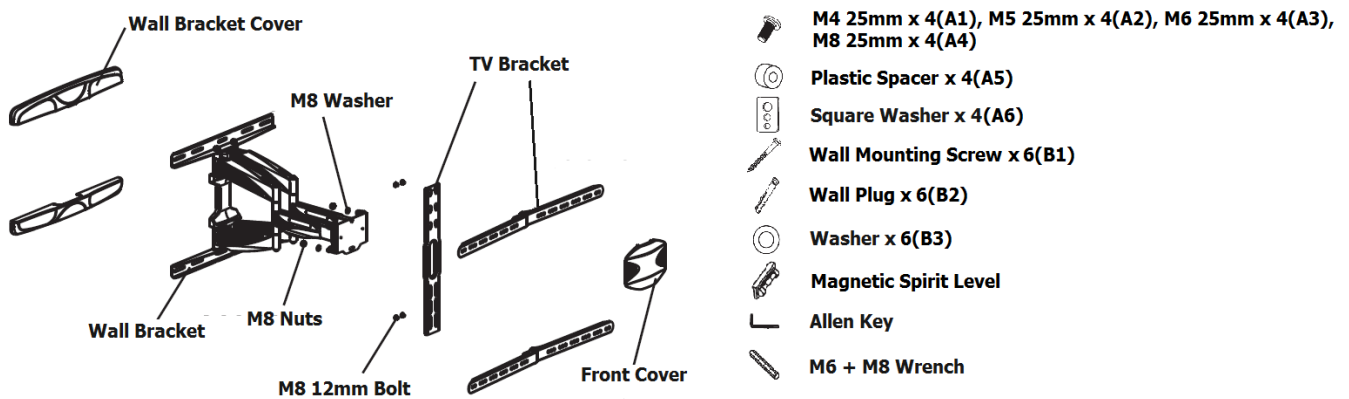
### Caution:

Please read this manual thoroughly to avoid damage to property or personnel. If unsure of any part of this manual please refer to professional installer for help:

- This product contains small components that could pose a choking hazard if swallowed, please keep out of reach of children.
- This product is designed for mounting on wall studs or concrete wall. Always ensure the mounting surface will be capable of withstanding the combined weight of the TV bracket and TV, reinforcement may be required for aged or weak walls.
- Safety gear such as gloves and safety goggles must be worn during the installation. A minimum of two people are required throughout the installation, failure to do so may result in injury or damage.
- This product is design for indoor use only. The bracket must be inspected at least every two months for loose joints or aged parts.

### Contents:

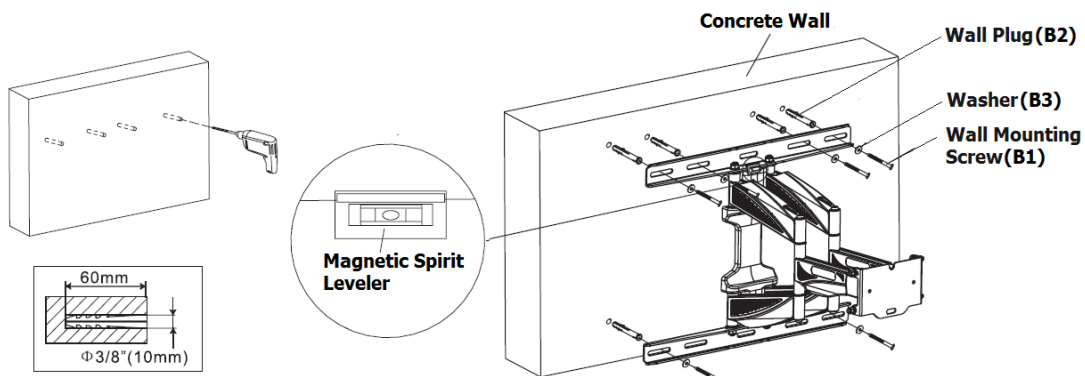
Please check all contents listed below are included inside the box. If anything is missing please return to the retailer or dealer.



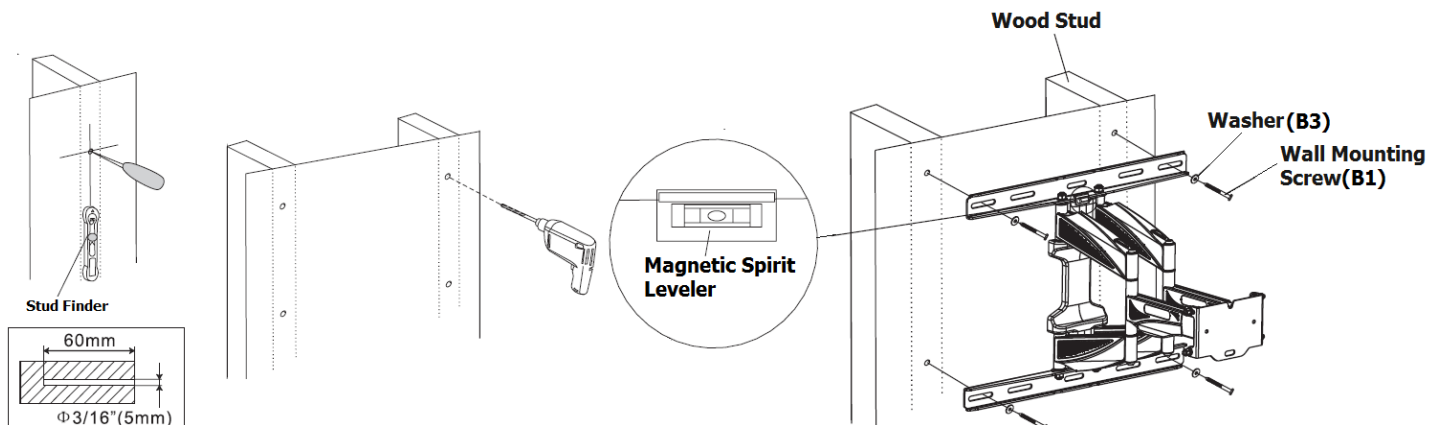
For this installation you will also require a pencil, tape measure, electric drill, stud finder and a Philips (cross) screw driver.

### Step 1 – Fixing wall bracket

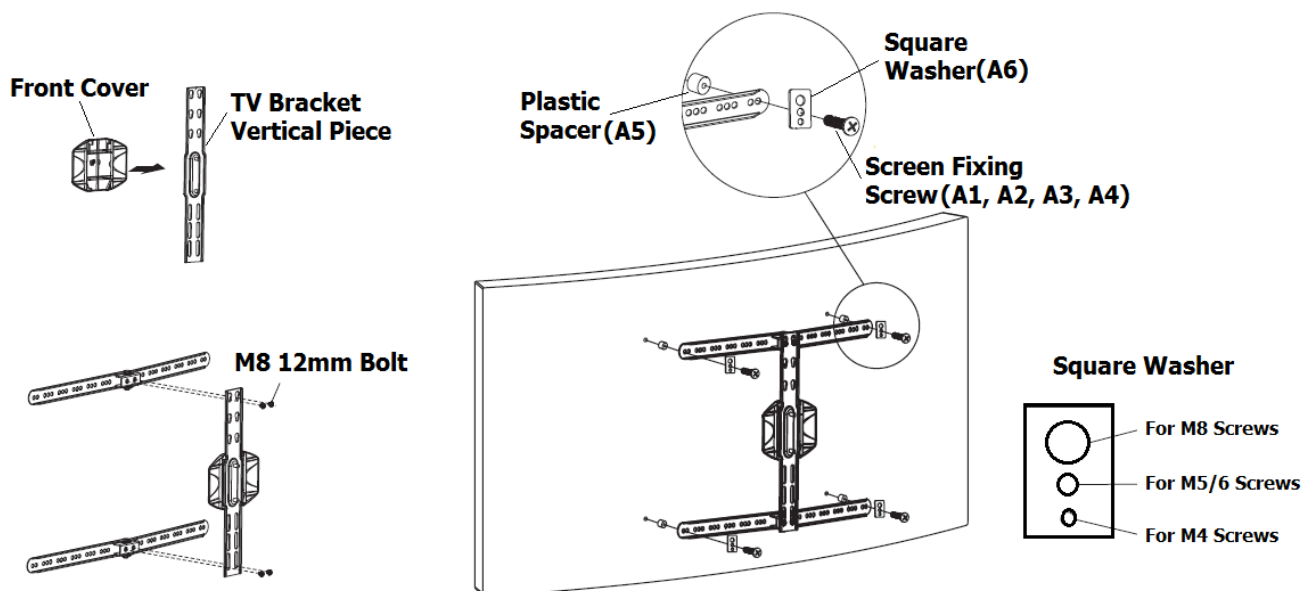
For concrete wall installation first of all work out the height of the installation and ensure it is level using the spirit level. Use a pencil to mark where the mounting holes will be and use an electric drill to drill a hole that is around 10mm in diameter and 60mm deep. Insert the wall plugs into the holes and install the wall bracket as follows.



For plaster wall installation first of all find out where the wood stud is behind the wall using a stud finder. Then work out the height of the installation and ensure it is level using the spirit level. Use a pencil to mark where the mounting holes will be and use an electric drill to drill a hole that is around 5mm in diameter and 60mm deep. Install the wall bracket as follows.

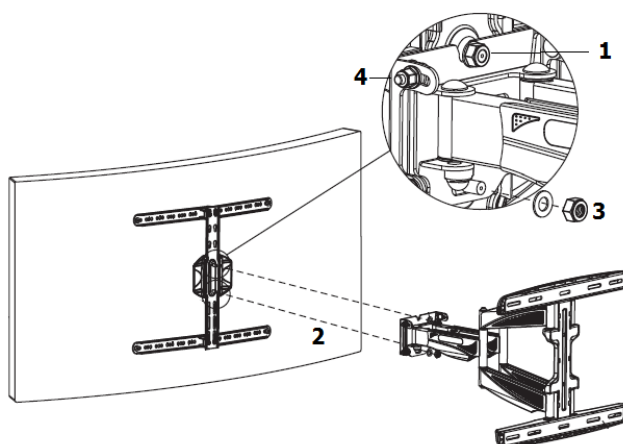


**Step 2** – Assemble the TV bracket with 4 x M8 12mm bolts as show below. The spacing of the bars will depend on the VESA hole spacing on the back of your screen. They can be positioned at VESA 200, 300 or 400. After the bracket is assembled, fix it on the back of the screen as show below.



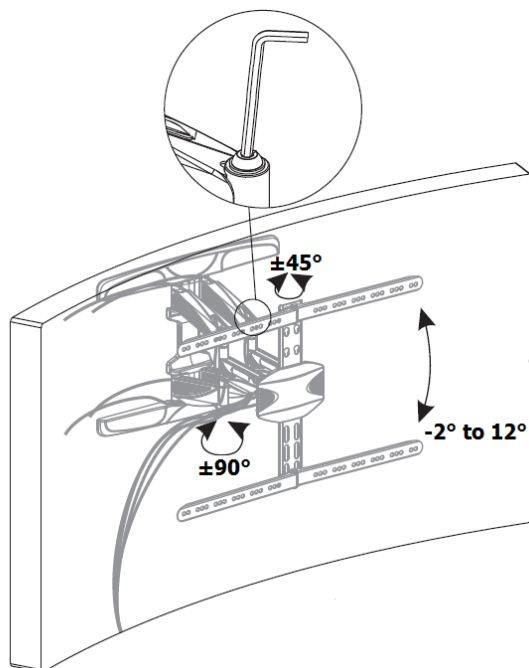
**Step 3** – Install TV on to the wall bracket.

1. Screw on the M8 nuts on to the on the back before slotting the screen on, this prevents the screen from falling off whilst installing.
2. Slot the screen and fixed bracket onto the wall bracket.
3. Tighten the bottom M8 nut once the screen is level.
4. Adjust the tension of the tilt mechanism until desired angle is achieved.



**Step 4 – Pan and swivel tension adjustment**

There is a hex bolt on each of the arm joints where the movement tension can be adjusted using the supplied Allen Key. Loosen each bolt to move the screen into desired place. Tighten the bolts to lock the screen in position.



**Step 5 – Cable management system**

Unclick the plastic covers on the bracket arms.

Run the cables along the arm as shown below and clip the plastic covers back on.

This will stop cables from tangling and getting caught in the brackets joints.

