

Sensor-switched LED outdoor light

# L 835 SC

Silver

EAN 4007841 055523

Article number 055523



LED

30 years (Ø 4,5h / day)

3000 K

3000K warm-white



intelligent high frequency sensor 160°



1 - 5 m



IP44



2 - 2000 lux



5 sec - 60 min



soft light start



manual override 4h



energy saving

## Function description

Digital. Interconnected. Intelligent. The Cube series captivates with a classy look and embellishes any building. With concealed 160° iHF sensor (5 m reach) that only responds to human movement. Night-light function, soft light start and 4-hour manual override (3000 K). Wireless interconnection via Bluetooth, any chosen settings via STEINEL app. Three design options. Available in anthracite or silver.

# L 835 SC

Silver

EAN 4007841 055523

Article number 055523

## Technical specifications

Dimensions (L x W x H)	132 x 110 x 110 mm	Electronic scalability	Yes
With lamp	Yes, STEINEL LED system	Mechanical scalability	Yes
With motion detector	Yes	Reach, detail	Detection zone adjustable on 2 axes
Manufacturer's Warranty	3 years	Photo-cell controller	Yes
Settings via	Bluetooth, App, Smartphone	Luminous flux total product	616 lm
With remote control	Nein	Measured luminous flux (360°)	616 lm
Version	Silver	Total product efficiency	68 lm/W
PU1, EAN	4007841055523	Colour temperature	3000 K
Application, place	Outdoors	Colour Rendering Index	80-89
Application, room	outdoors, garden, front door, courtyard & driveway, all round the building, terrace / balcony	Lamp	LED cannot be replaced
Colour	Silver	LED life expectancy (max. °C)	50000 h
includes sheet of self-adhesive numbers	No	Service life LED L70B50 (25°)	> 60000 h
Installation site	wall	Base	without
Impact resistance	IK03	LED cooling system	Passive Thermo Control
IP-rating	IP44	Soft light start	Yes
Protection class	II	Continuous light	selectable, 4h
Ambient temperature	-20 – 40 °C	Functions	Motions sensor, Selecting programmed lighting scenarios, Lighting scenario, Night economy mode
Housing material	Plastic	Twilight setting	2 – 2000 lx
Cover material	Plastic, opal	Time setting	5 s – 60 Min.
Mains power supply	220 – 240 V / 50 – 60 Hz	Basic light level function	Yes
Output	5 - 25 W	Basic light level function time	10/30 min, all night
Mounting height max.	2,50 m	Main light adjustable	10 - 100 %
Slave modeselectable	Yes	Twilight setting TEACH	Yes
Angle of aperture	160 °	Interconnection	Yes
Capability of masking out individual segments	Yes		

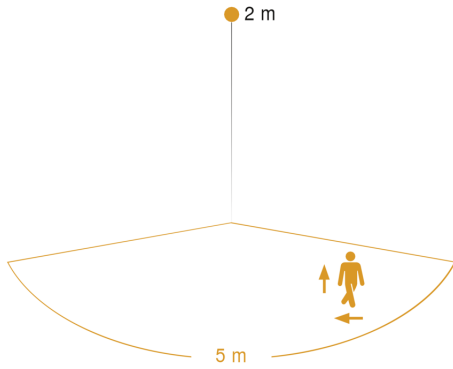
Sensor-switched LED outdoor light

# L 835 SC

Silver  
EAN 4007841 055523  
Article number 055523

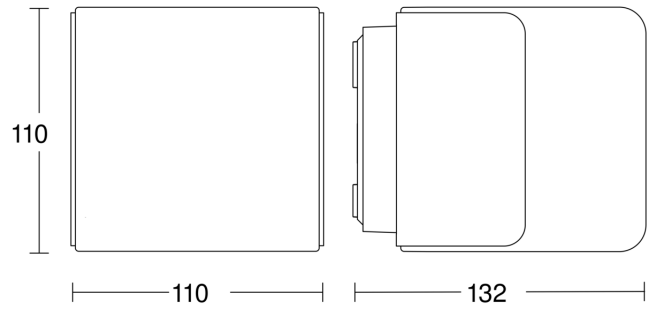


## Detection Zone

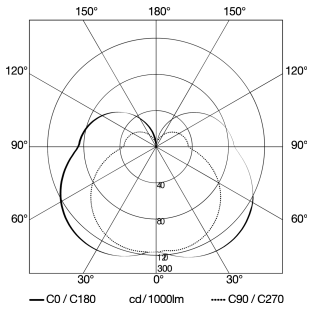


Mögliche Montagehöhe: 1,80 m – 2,50 m  
Orange: radial und tangential

## Dimension Drawing

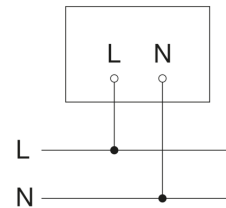


## Light Distribution Curve



Output	9,1 W
With lamp	Yes, STEINEL LED system
Lamp	LED cannot be replaced
Measured luminous flux (360°)	616 lm
Colour temperature	3000 K
Colour Rendering Index	80-89
LED life expectancy (max. °C)	50000 h
LED cooling system	Passive Thermo Control

## Master/slave interconnection circuit diagram



Sensor-switched LED outdoor light

# L 835 SC

Silver

EAN 4007841 055523

Article number 055523



## Master/master interconnection circuit diagram

