

Sensor-switched LED outdoor light

L 840 SC

Silver

EAN 4007841 055547

Article number 055547



LED

30 years (Ø 4,5h / day)

3000 K

3000K warm-white



intelligent high frequency sensor 160°



1 - 5 m



IP44



2 - 2000 lux



5 sec - 60 min



soft light start



manual override 4h



energy saving

Function description

Digital. Interconnected. Intelligent. The Cube series captivates with a classy look and embellishes any building. With concealed 160° iHF sensor (5 m reach) that only responds to human movement. Night-light function, soft light start and 4-hour manual override (3000 K). Wireless interconnection via Bluetooth, any chosen settings via STEINEL app. Three design options. Available in anthracite or silver.

L 840 SC

Silver
 EAN 4007841 055547
 Article number 055547



Technical specifications

Dimensions (L x W x H)	134 x 110 x 110 mm
With lamp	Yes, STEINEL LED system
With motion detector	Yes
Manufacturer's Warranty	3 years
Settings via	Bluetooth, App, Smartphone
With remote control	Nein
Version	Silver
PU1, EAN	4007841055547
Application, place	Outdoors
Application, room	outdoors, garden, front door, courtyard & driveway, all round the building, terrace / balcony
Colour	Silver
includes sheet of self-adhesive numbers	No
Installation site	wall
Impact resistance	IK03
IP-rating	IP44
Protection class	II
Ambient temperature	-20 – 40 °C
Housing material	Plastic
Cover material	Plastic, opal
Mains power supply	220 – 240 V / 50 – 60 Hz
Output	5 - 25 W
Mounting height max.	2,50 m
Slave modeselectable	Yes
Angle of aperture	160 °
Capability of masking out individual segments	Yes

Electronic scalability	Yes
Mechanical scalability	Yes
Reach, detail	Detection zone adjustable on 2 axes
Photo-cell controller	Yes
Luminous flux total product	319 lm
Measured luminous flux (360°)	319 lm
Total product efficiency	35 lm/W
Colour temperature	3000 K
Colour Rendering Index	80-89
Lamp	LED cannot be replaced
LED life expectancy (max. °C)	50000 h
Service life LED L70B50 (25°)	> 60000 h
Base	without
LED cooling system	Passive Thermo Control
Soft light start	Yes
Continuous light	selectable, 4h
Functions	Motions sensor, Selecting programmed lighting scenarios, Lighting scenario, Night economy mode
Twilight setting	2 – 2000 lx
Time setting	5 s – 60 Min.
Basic light level function	Yes
Basic light level function time	10/30 min, all night
Main light adjustable	10 - 100 %
Twilight setting TEACH	Yes
Interconnection	Yes

Sensor-switched LED outdoor light

L 840 SC

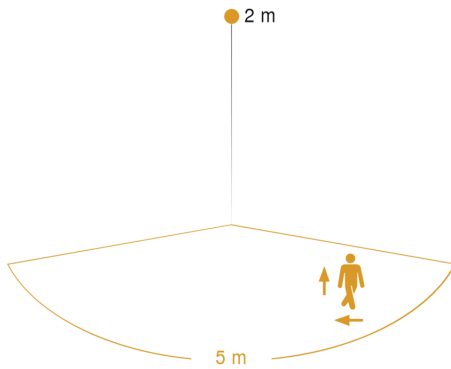
Silver

EAN 4007841 055547

Article number 055547

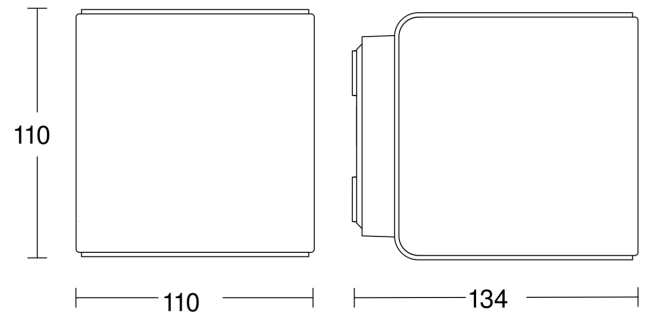


Detection Zone

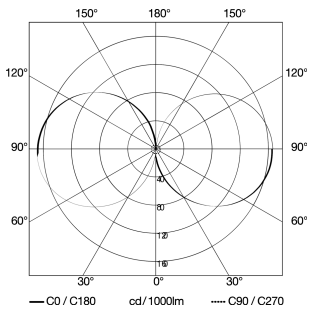


Mögliche Montagehöhe: 1,80 m – 2,50 m
Orange: radial und tangential

Dimension Drawing

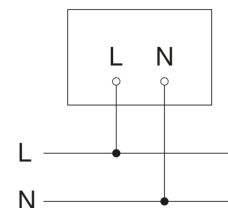


Light Distribution Curve



Output	9,1 W
With lamp	Yes, STEINEL LED system
Lamp	LED cannot be replaced
Measured luminous flux (360°)	319 lm
Colour temperature	3000 K
Colour Rendering Index	80-89
LED life expectancy (max. °C)	50000 h
LED cooling system	Passive Thermo Control

Master/slave interconnection circuit diagram



Sensor-switched LED outdoor light

L 840 SC

Silver

EAN 4007841 055547

Article number 055547



Master/master interconnection circuit diagram

