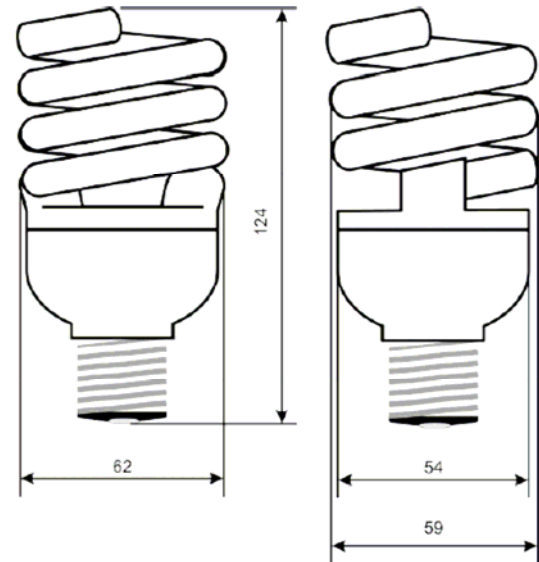


VARILIGHT DIMMABLE ENERGYSAVER+



Technical Specification

- Rated at 20W
- Available with B22 or E27 fitting
- Compatible with most standard dimmers
- Incorporates patented DigiFlux technology
- Dimming range: 2.46% to 100%
- Switch on at any light level
- Constant light output with voltage fluctuations
- High luminous output of 66 Lm/W
- Long lifetime of 16000 hours
- Colour temperature 2700°K
- Energy Class A1
- Excellent Power Factor Correction (0.93)
- Colour Rendering Index of 81Ra
- High Quality T3 Tube
- Low mercury content only 2.5mg



Power	Input Current	Power Factor	Colour Rendering Index	Colour Temperature	Luminous Flux	Luminous Output	Dimensions/mm		
							W1	W2	H
20W	0.92A	0.93	81 Ra	2700K	1300 Lm	66 Lm/W	62	54	124

Energy Cost and Carbon Dioxide Emission Comparison

	Traditional GLS Lamp	8000 Hour CFL	Varilight Dimmable CFL
Rating/W	100	20	20
Purchase Cost per Lamp	£0.50	£6.29	£12.00
Lamp Life in Hours	1000	8000	16000
Purchase Cost Over 16000 Hours	£8.00	£12.58	£12.00
Energy Usage Over 16000 Hours in kWh	1600	320	320
Cost of Electricity Used @ £0.079/kWh	£126.40	£25.28	£25.28
Purchase Cost + Electricity Cost	£134.40	£37.86	£37.28
Cost Saving (Undimmed)			£97.12
Dimming Varilight Dimmable CFL*			
Energy Usage Over 16000 Hours in kWh			256 *
Cost of Electricity Used @ £0.079/kWh			£20.22
Purchase Cost + Electricity Cost			£32.22
Cost Saving			£102.18
Projected Carbon Dioxide Emission Saving in kg**			578
Carbon Dioxide Emission Saving at Current Rate in kg***			703
*Assumes lamp dimmed to half brightness half the time, full brightness for the remainder with dimming to half brightness saving 40% of energy consumption (Source: Energy Saving Trust)			
**Calculated using DEFRA projected conversion factor of 0.43 (assumes future efficiency savings) (Source: DEFRA)			
***Calculated using latest DEFRA rolling average conversion factor of 0.523 (Source: DEFRA)			