

TIMEGUARD®

2x 10W LED Slimline Floodlight – Twin Flood

Model: LED200FLBE – Black
Model: LED200FLWHE – White



Installation & Operating Instructions

1. General Information

These instructions should be read carefully and retained for further reference and maintenance.

2. Safety

- Before installation or maintenance, ensure the mains supply to the luminaire is switched off and the circuit supply fuses are removed or the circuit breaker turned off.
- It is recommended that a qualified electrician is consulted or used for the installation of this luminaire and install in accordance with the current IEE wiring and Building Regulations.
- Check that the total load on the circuit including when this luminaire is fitted does not exceed the rating of the circuit cable, fuse or circuit breaker.

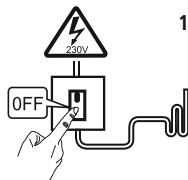
3. Technical Specifications

- 230V AC 50Hz
- This luminaire is of class I construction and must be earthed
- 2x 10W LED Non replaceable lamp
- Energy Usage: 20Kwh/1000H
- Lumen Output: 2x 840lm
- Beam Angle: 90 x 90
- Lamp Adjustment Pan and Tilt: **Wall Mount** – Pan Outward 21° (limited by wall), Pan Inward 45°, Downward 70°
Wall Mount with Spacer (sold separately) – Pan Outward 40° (limited by wall), Pan Inward 45°, Downward 70°
Inner Corner Bracket (sold separately) – Pan Inward from 10° to 45° (limited by wall), Downward 70°
Outer Corner Bracket (sold separately) – Pan Outward 45°, Pan Inward 45°, Downward 70°
- Colour Temperature: 4000K

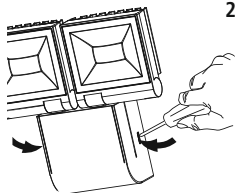
- Operating Temperature: -20°C to +45°C
- Back Box Mounting Centres: 60mm
- IP55 Rated suitable for restricted external applications
- CE Compliant
- Dimensions: H= 160mm, W= 167mm, D= 50mm

4. Installation

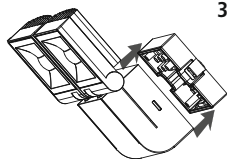
- 4.1 Ensure the mains supply is switched off and the circuit supply fuses are removed or the circuit breaker turned OFF (See image 1).
- 4.2 An isolating switch should be installed to enable the power to be switched ON and OFF for maintenance purposes.
- 4.3 Disconnect the back box from the luminaire by releasing the lugs (left or right side). See Image 2.
- 4.4 Firmly grip the back box with your hand, from top and bottom and carefully pull away from the luminaire. See Image 3.
- 4.5 Mark the position of the mounting holes on the wall using the back box as a template (See image 4). Drill the holes ensuring not to infringe with any gas/water pipes or electrical cables that may be hidden below the surface. Insert the rawl plugs into the holes. Pass the 230V 50Hz supply and load cables through the cable entry points on the back box, ensuring the grommets are used to maintain the IP rating of the luminaire.



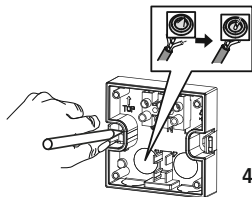
1



2

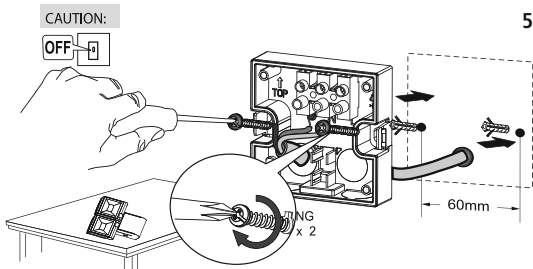


3

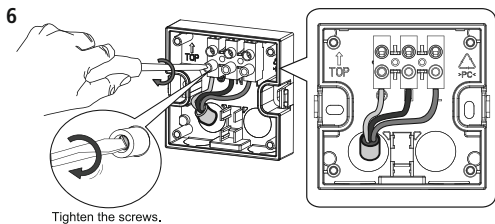


4

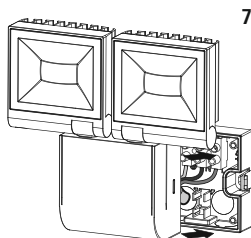
- 4.6 Fix the back box to the wall using the 2 mounting screws, making sure it is the correct way up. Take care not to over-tighten the screws to prevent damage to the back box. If using a power screwdriver, use the lowest torque setting. See image 5.



- 4.7 Terminate the 230V 50Hz mains supply cable into the terminal block (See image 6) ensuring correct polarity is observed and that all bare conductors are sleeved (See section 5. Connection Diagram – for wiring details).

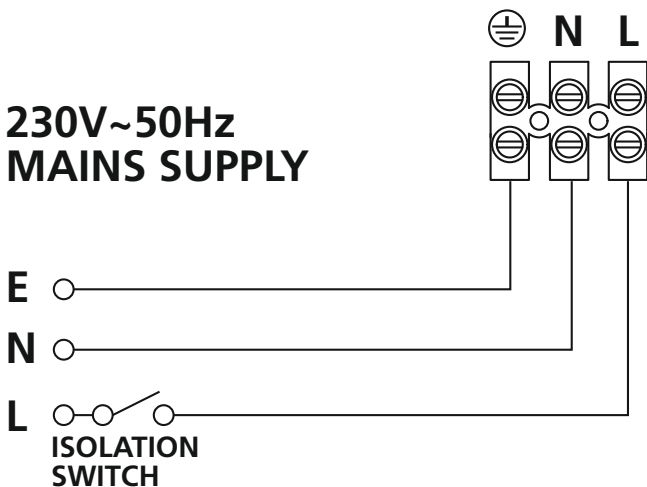


- 4.8 Re-connect the luminaire to the back box ensuring the 2 lugs firmly latch on the left and right hand side, indicated by a 'click'. See image 7.



5. Connection Diagram

**230V~50Hz
MAINS SUPPLY**



230V 50Hz Mains Supply

Live Supply (Brown or Red) to

L

Neutral Supply (Blue or Black) to

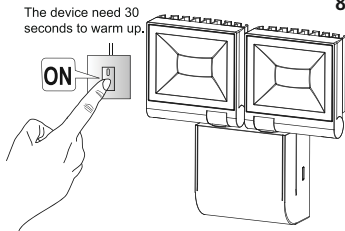
N

Earth (Green/Yellow) to



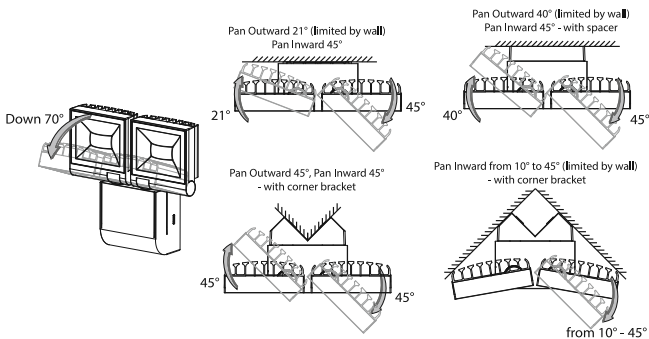
6. Operation

- Turn the power on to the luminaire and test for normal operation.
See image 8.



7. Lamp Adjustment

- Pan/Tilt adjustment including details when using the optional spacer and corner brackets (sold separately).



3 Year Guarantee

In the unlikely event of this product becoming faulty due to defective material or manufacture within 3 years of the date of purchase, please return it to your supplier in the first year with proof of purchase and it will be replaced free of charge.

For years 2 and 3 or any difficulty in the first year, telephone the helpline on 020 8450 0515.

Note: A proof of purchase is required in all cases. For all eligible replacements (where agreed by Timeguard) the customer is responsible for all shipping/postage charges outside of the UK. All shipping costs are to be paid in advance before a replacement is sent.



If you experience problems, do not immediately return the unit to the store. Telephone the Timeguard Customer Helpline;

HELPLINE

020 8450 0515

or email helpline@timeguard.com

Qualified Customer Support Co-ordinators will be on-line to assist in resolving your query.



A **theben** Group Company

For a product brochure please contact:

Timeguard Limited.

Victory Park, 400 Edgware Road,

London NW2 6ND

Sales Office: 020 8452 1112

or email csc@timeguard.com

www.timeguard.com