



TPS202 Powerseal Outdoor Power Enclosure Instructions

The Powerseal Outdoor Power Enclosure is a member of the Powerseal range which is manufactured from tough, durable thermoplastic and is intended for use in an outdoor environment or wherever the protection provided by the Powerseal range is required. All products in the range are rated at IP55 or better for protection against water and dust. All Powerseal products must be fitted according to the relevant instructions to maintain their IP rating once installed.

This product complies with the following standards: IP55 rating: BS EN 60529 Socket outlet: BS1363

Introduction

This Powerseal Outdoor Power Enclosure is designed to accommodate accessories such as trailing sockets with plugs and transformers that are pre-wired by the manufacturer.

There is no earth terminal facility within this enclosure, ensure any accessory requiring an earth is connected via the incoming supply.

The supply should be taken from a power outlet protected by a residual current device (RCD).

Ensure any exposed cable is suitable for use outdoors.

Do not drill holes into any part of the enclosure as this could impair the IP55 weatherproof rating.

Installation

This product is not intended for permanent installation.

The product should be mounted on a vertical surface with cable entries at the bottom and not more than 1.5m above the ground.

The Powerseal Outdoor Power Enclosure can be installed in two ways.

1. The product can be fastened to the wall using four No.8, min 1.5in. long wood screws. To aid installation in this manner, a template for the four mounting holes has been provided on the reverse of this instruction leaflet. Note - installation onto an uneven surface may cause the base to twist and prevent the lid from properly sealing, always check that the lid is properly located. If it is not, open the lid, slacken one or more of the four base fixing screws and try again.
2. The Powerseal Outdoor Power Enclosure can also be supported on the picture hooks located at the top rear of the product.

Wire the socket strip following the wiring instructions on the reverse of these instructions.

Determine where in the box you want the socket strip located. Fix the two short screws to the appropriate holes and tighten, leaving a distance of approximately 3mm between the bottom of the screw head and the base of the box. Hook the socket strip into place. If the socket strip won't hook onto the screws or is too loose, tighten or loosen the screws to adjust. (Fig .1)

Alternatively, the socket strip can be fixed in place using the supplied velcro.

Ensure that the silicone bungs provided are installed in the 4 screw holes on the bottom of the box. These prevent water entering the product. (Fig .2)

Plug in the output plugs / transformers as required, making sure the cables pass through the waterproof slots. (Fig .3)

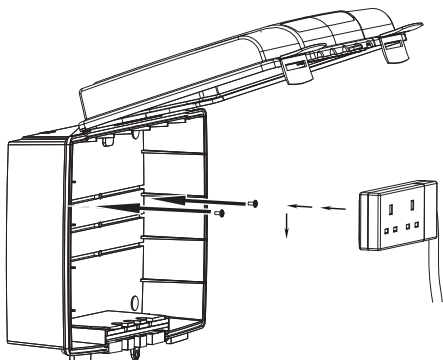


Fig. 1

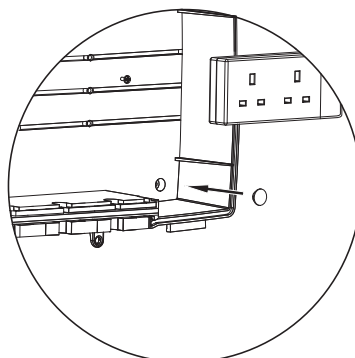


Fig. 2

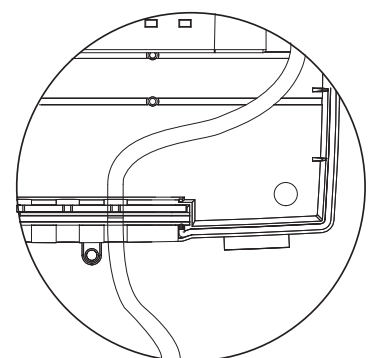


Fig. 3

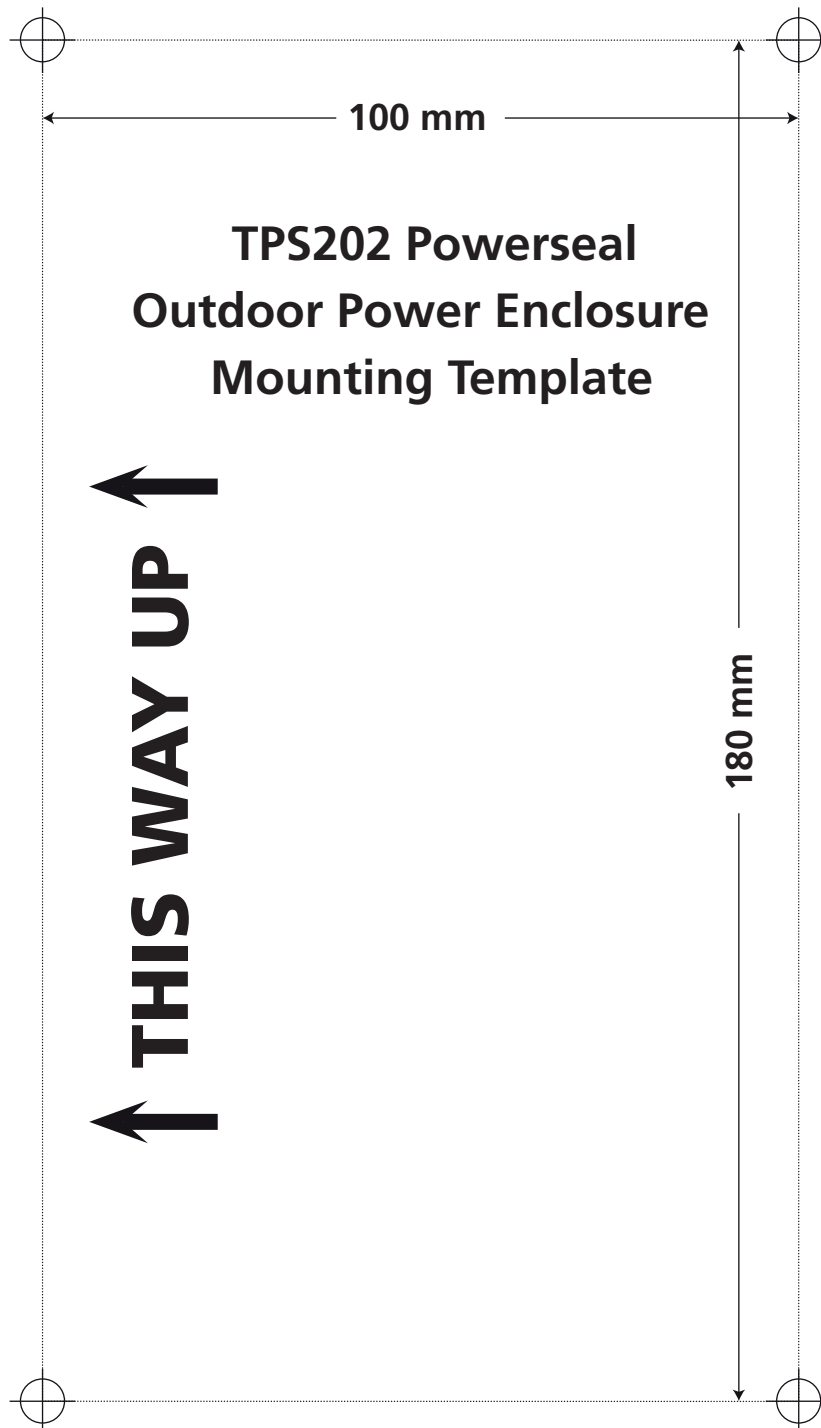
3 Year Guarantee

In the unlikely event of this product becoming faulty due to defective material or manufacture within 3 years of the date of purchase, please return it to your supplier in the first year with proof of purchase and it will be replaced free of charge. For years 2 and 3 or any difficulty in the first year telephone the helpline on **020 8450 0515**.

Specifications for the enclosure.

Degree of protection	IP55
Maximum cable size	2.5 sq.mm, 3core
Operating temperature range	-20° to 40°C
Installation temperature range	0° to 40°C

Timeguard Ltd. Victory Park, 400 Edgware Road,
London NW2 6ND Tel: 020-8452-1112



Wiring Instructions

Socket terminals are found by removing the panel on the base of the socket strip.

