



· Domina HP thermostatic mixer shower ·

*For models: TMV81000
TMV81500
TMV81600
TMV91000
TMV91500
TMV91600*



Installation and Operating Instructions

INSTALLERS PLEASE NOTE THESE INSTRUCTIONS ARE TO BE LEFT WITH THE USER

TRITON



A **NORCROS** Company

CONTENTS	Page
Introduction	2
Safety warnings	2
Main components and pack contents	3
Site requirements	4
Temperature adjustment range	5
Preparing and siting of the shower	6
Installation – general	7
Installation – surface mount	8 - 11
Installation – flush mount	12
solid wall	13 - 14
hollow wall	15 - 16
cubicle or panel	17 - 18
Flushing procedure	19
Fitting the bulkhead	20
Fitting the riser rail and sprayhead	21 - 22
Commissioning	23 - 24
Operating the shower	24 - 25
Filter cleaning	25
Adjusting the sprayhead	26
Sprayhead cleaning	27
Maintenance	28 - 29
Spare parts	30 - 31
Fault finding	32 - 33
Guarantee, service policy, etc.	rear cover

INTRODUCTION

This book contains all the necessary fitting and operating instructions for your Triton HP mixer shower. Please read them carefully. Read through the whole of this book before beginning your installation.

The shower installation must be carried out by a suitably competent person and in sequence of this instruction book.

Care taken during the installation will ensure a long and trouble free life from your shower.

For optimum performance within the specified running pressure range a minimum flow of 8 litres per minute should be available to both inlets.

Designed to operate on higher pressure systems found in the U.K. up to a maximum of 5 bar running pressure. The valve **MUST NOT** be subjected to water temperatures in excess of 80°C.

The high pressure valve is suitable for fully modulating type combination boilers and multi-point hot water heaters. Also suitable for thermal storage, unvented systems and pumped gravity systems.

Important: Before installing with a gas instantaneous water heater, ensure the appliance is capable of hot water delivery at a minimum switch on flowrate of 3 litres per minute. At flow rates between 3 and 8 litres per minute the appliance must be capable of raising the water temperature by 45°C. Water temperature at the inlet to the mixer must remain relatively constant when flowrate adjustments are made.

The valve is supplied with integral single check valves and integral large area filter in each inlet elbow.

Inlet connections are by compression fittings for 15mm copper pipe.

This valve unit is supplied with a mounting bracket to suit installation in a chased out cavity in a solid wall, a stud partition wall, dry lined wall or fixing to a shower cubicle or panel.

NOTE: The supplied bracket MUST be used to mount the valve whatever type of flush fitted installation is used.

SAFETY WARNINGS

- 1 Layout and sizing of pipework must be such that when other services are used, pressures at the shower control inlets *do not* fall below the recommended minimum.
- 2 DO NOT choose a position where the shower could become frozen.
- 3 The outlet of this appliance must not be connected to any form of tap or fitting not recommended by the manufacturer.
- 4 The sprayhead must be cleaned regularly to remove scale and debris.
- 5 Conveniently situated isolating valves in each inlet supply must be fitted as an independent method of isolating the shower should maintenance or servicing be necessary.
- 6 If it is intended to operate the shower in areas of hard water (above 200 ppm temporary hardness), a scale inhibitor may have to be fitted.
- 7 If it is intended to operate the shower outside the guidelines laid out in the requirements then see NOTE below.

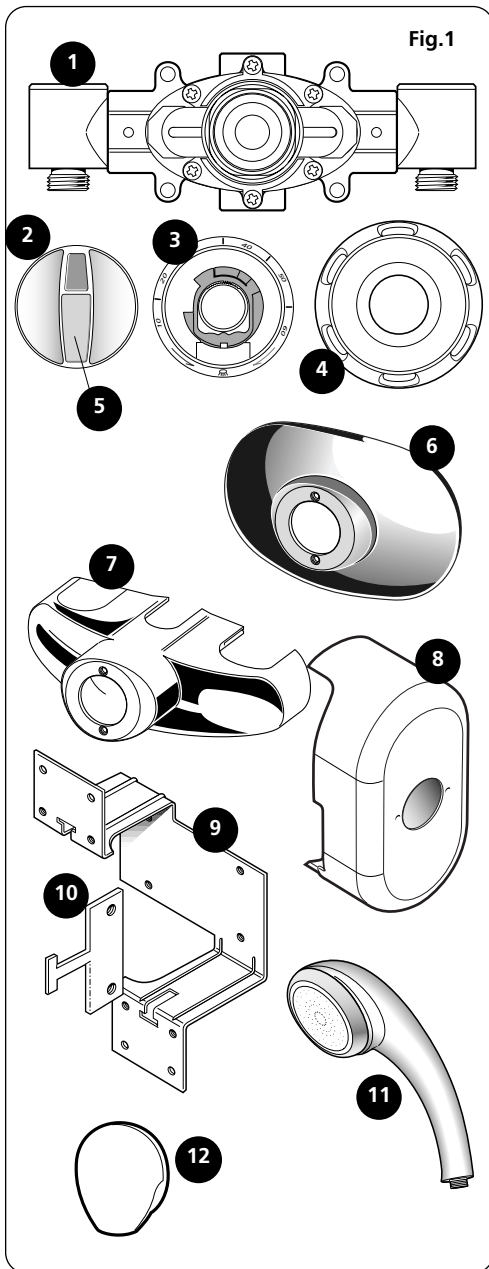
NOTE: In the event of items 2 and 7, contact Triton Customer Service for advice.
Tel: (024) 7637 2222.

Replacement parts can be ordered from Triton Customer Service. See 'spare parts' for details and part numbers.

Due to continuous improvement and updating, specification may be altered without prior notice.

MAIN COMPONENTS and PACK CONTENTS

- 1 Mixer valve body
- 2 Temperature control knob
- 3 Temperature disc
- 4 Flow control knob
- 5 Temperature control knob trim
- 6 Cover – flush mount
- 7 Cover – surface mount
- 8 Tiling shroud
- 9 Mounting bracket
- 10 Flat bracket – 2 off
- 11 Spray head
- 12 Bulkhead assembly
 - Riser rail kit
 - Flexible hose
 - Soap dish
 - Outlet fittings
 - Screw pack
 - Allen key
 - Flushing tool
 - Spanner
 - Spacers



SITE REQUIREMENTS

The installation must be in accordance with Water Regulations and Byelaws.

Running water pressure:

HP mixer – min 1 bar
max 5 bar

Maximum static water pressure:

HP mixer – 10 bar

For optimum performance within the specified running pressure range a minimum flow of 8 litres per minute should be available to both inlets.

Whilst the mixer valve is operational (open outlet), inlet pressures must not be capable of exceeding 7 bar. For effective operation of the internal seals, the maximum static pressure must not be exceeded.

NOTE: On sites where the running pressure is above 5 bar, the use of a suitably sized pressure reducing valve fitted in the cold mains supply pipework can provide nominally equal pressures at the mixer valve.

For optimum performance of this shower both hot and cold water supplies to the shower valve should be fed at nominally equal pressures.

The pipework should be installed such that the flow is not significantly affected by other taps and appliances being operated elsewhere on the premises.

NOTE: Where thermal store systems and instantaneous water heaters are used, if excessive draw offs take place the boiler may not be able to maintain an adequate output temperature. This could result in the shower temperature becoming noticeably cooler.

Water temperature requirements

Maximum hot water temperature = 80°C

Recommended maximum = 65°C

Minimum hot water temperature = 52°C

Maximum cold water temperature = 20°C

BS6700 recommends that the temperature of stored water should never exceed 65°C.

A stored water temperature of 60°C is considered sufficient to meet all normal requirements and will minimise the affects of scale in hard water areas.

Fig.2 (diagrammatic view – not to scale)

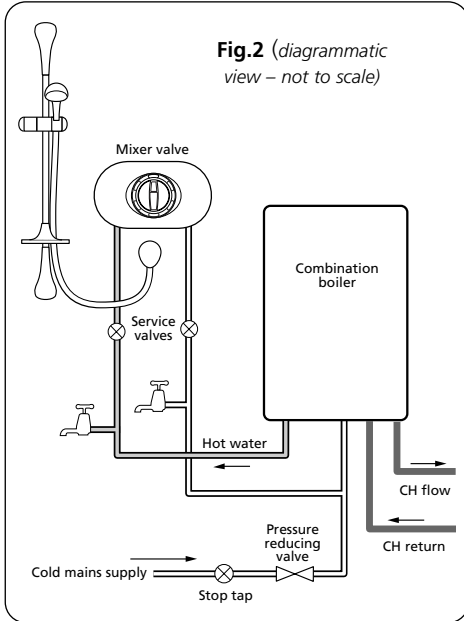
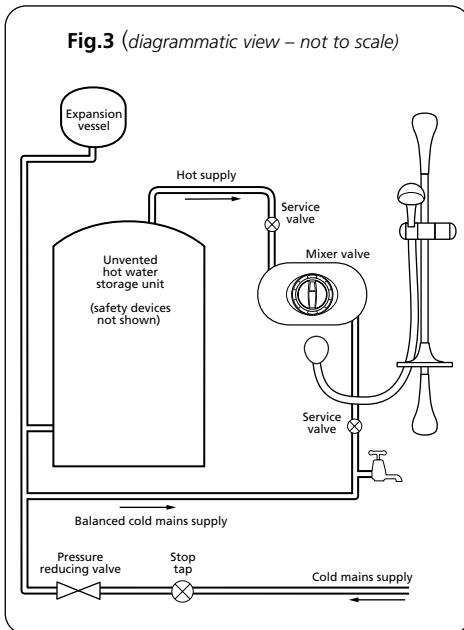


Fig.3 (diagrammatic view – not to scale)



TEMPERATURE ADJUSTMENT RANGE

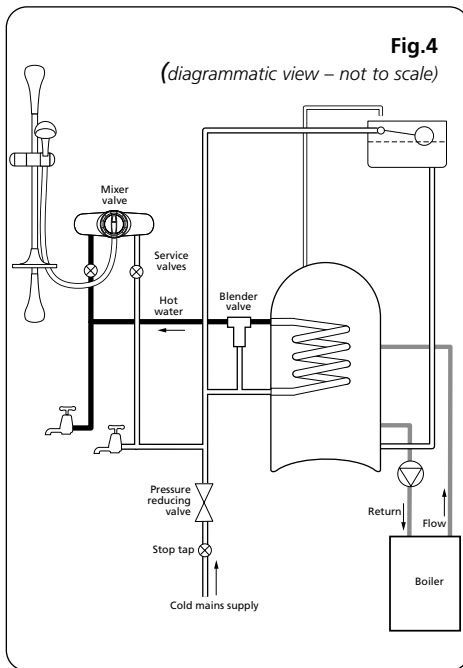
The mixed water temperature can be adjusted from cold through to a top limit (which can be pre-set during installation – factory set at approximately 39°C), with full anti-scald protection throughout the range.

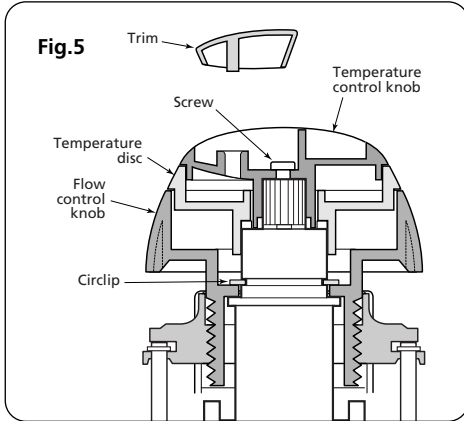
Fig.2 depicts a typical combination boiler installation.

Fig.3 illustrates an unvented mains pressurised hot water storage system.

Fig.4 illustrates a thermal storage indirect fired hot water installation.

DO NOT use jointing compounds on pipework.





PREPARING THE MIXER VALVE

Check the contents to ensure all parts are present.

Ensure the supplied metal fixing bracket, tiling shroud, spanner and allen keys are all to hand.

Before commencing the installation, make sure all the apertures on the valve are carefully covered to prevent ingress of any debris etc.

The valve unit is supplied with a mounting bracket to suit installation in a chased out cavity in a solid wall, a stud partition wall, dry lined wall or fixing to a shower cubicle or panel.

The hot and cold water pipes should not be permanently attached to the wall closer than 2m from the valve prior to installation to allow for final adjustment of the valve position.

The valve is supplied assembled except for the temperature knob trim (fig.5) and cover plates which are supplied separately.

There is no need to remove the control knobs until the pipework and installation are complete and the cover plate is required to be fitted.

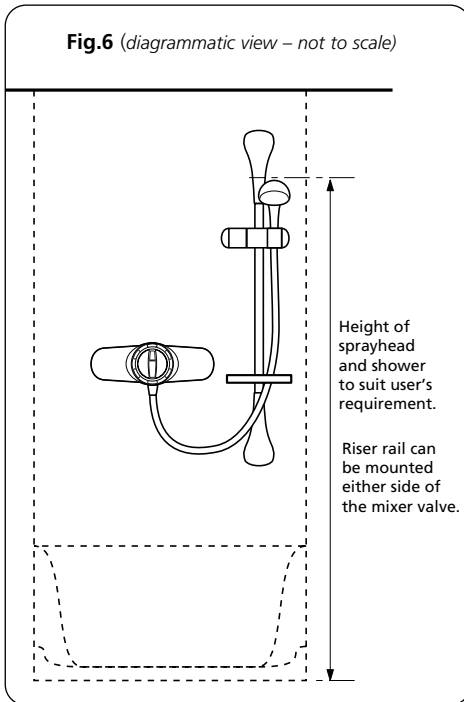
SITING OF THE SHOWER

WARNING: THE SHOWER MUST NOT BE POSITIONED WHERE IT WILL BE SUBJECT TO FREEZING CONDITIONS.

Refer to fig.6 for correct siting of the shower.

Position the shower and sprayhead on the wall so that all controls can be comfortably reached whilst using the shower. The spray head and riser rail can be positioned either side of the shower.

Important: The hot entry port is on the left hand side of the valve and is marked on the valve with a letter 'H' (fig.7).



INSTALLATION

General conditions

NOTE: The outlet of the shower must not be connected to any tap or fitting not recommended by Triton.

DO NOT use jointing compounds on any pipe fittings for the installation.

Use only the compression fittings supplied.

DO NOT solder fittings within the vicinity of the valve unit as heat transfer can damage the seals and thermostatic components.

NOTE: Suitable isolating valves (complying with Water Regulations and Byelaws) MUST be fitted on the hot and cold water supplies to the shower as an independent means of isolating the water supplies should maintenance or servicing be necessary.

When connecting pipework avoid using tight 90° elbows. Swept or formed bends will ensure optimum performance.

IMPORTANT: The water circuit should be installed such that the flow is not significantly affected by other taps and appliances being operated elsewhere on the premises. Water pressure must not fall below specification of the shower.

The hot water pipe entry must be on the left.

IMPORTANT: THE INLET ELBOWS CONTAIN CHECK VALVES THAT MAY BE DAMAGED IF DEBRIS IS NOT FLUSHED THROUGH PRIOR TO FITTING. A flushing tool is supplied.

The swivel elbows allow for either rising, falling or rear entry hot and cold water supplies. Note the swivel elbows have 'O' seals to the body and do not require PTFE tape or other means of sealing.

Instantaneous water heaters

A flow limiter is supplied for insertion into the sprayhead which controls the maximum flow through an instantaneous water heater and the shower valve to 8 litres per minute. To fit the flow limiter, unscrew the sprayhead from the hose. Insert the flow limiter, flat face up, into the end of the sprayhead (fig.8). Refit the sprayhead to the hose.

With the flow limiter fitted and when the system is in use, the on/off flow control should be turned fully anti-clockwise to the full flow setting.

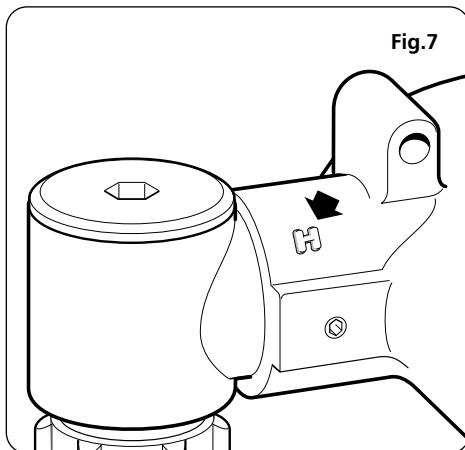


Fig.7

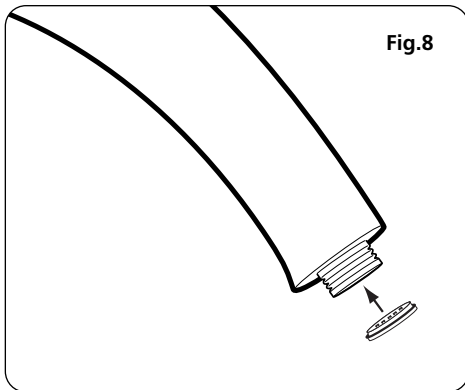
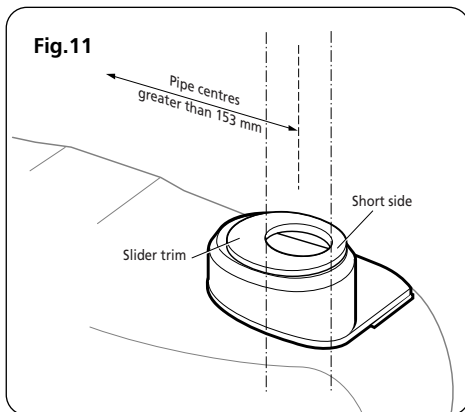
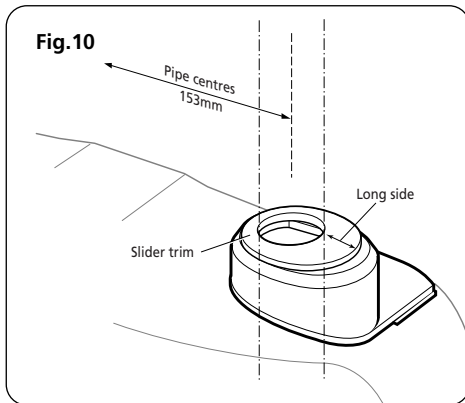
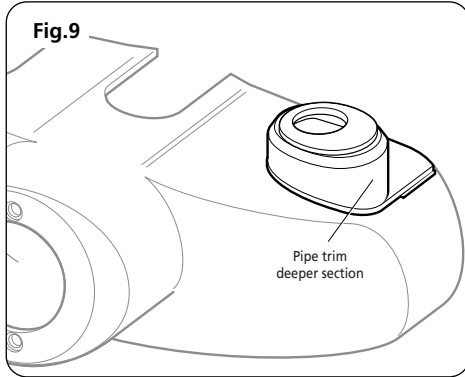


Fig.8



SURFACE-MOUNTED

Rising or falling supplies

Complete the pipework to the shower area having decided on the position of the shower and direction of pipe entry.

NOTE: The final separation between pipe centres needs to be between 150mm and 155mm but absolute accuracy is not essential as the inlet elbows have a minimal adjustment.

FLUSH THE PIPEWORK TO CLEAR THE SYSTEM OF ALL DEBRIS AND CHECK FOR LEAKS.

Important: The inlet elbows contain check valves that may be damaged if debris is not flushed through prior to fitting. Where this is not possible refer to the flushing procedure.

Clip the pipework to the wall surface so that the pipe centres are 21mm off the wall.

Offer the valve, together with the inlet elbows, to the pipework ensuring the inlet elbow grub screws are slack allowing the inlet elbows to be rotated to the correct orientation and move freely in and out of the valve housing.

Ensure the valve housing is central between the two pipes and mark the four fixing holes although if installing to a solid brick wall, using two diagonal holes usually will be sufficient.

Remove the valve. Drill and plug the holes using the wall plugs provided.

Fit the slider trims to the pipe entry trims. Note the pipe entry trims are handed – when the pipe trims are finally positioned on the cover, the deeper section of the trim is outermost (fig.9).

NOTE: The holes in the slider trims are offset to allow for adjustable inlet pipe separation widths.

If the pipe centre separation is 153mm then have the long side of the slider trims outermost (fig.10).

If the pipe separation gap is greater than 153mm or greater then have the short side of the slider trims outermost (fig.11). Using fingers, the slider trim can be rotated within the pipe trim.

Slide the pipe entry trims onto the pipes followed by the inlet nuts and olives.

Having orientated the inlet trims correctly, refit the valve to the pipework **ensuring that the hot inlet port (marked with the letter 'H' on the valve housing) is connected to the hot pipework which must be on the left.**

Secure to the wall with the screws supplied. Tighten the inlet nuts and inlet elbow grub screws.

Fit the outlet adaptor and 'O' ring into the bottom outlet of the valve housing. Ensure the adaptor is fitted with the **PIPE END** in the valve housing (fig.12). Fit the blanking plug and 'O' ring into the top outlet hole.

Connect the shower hose to the outlet and direct to waste.

Open the isolating valves to the shower and flush through ensuring that the flow control is opened fully and the temperature control is rotated to **HOT** and then to **COLD**.

Check for any leaks and remedy if necessary.

Slide the outlet blanking trim into the top outlet on the cover (fig.13).

TURN OFF the water supplies.

Remove the central screw securing the temperature control knob (fig.5). Lift off together with the temperature disc.

Remove the circlip securing the flow control to the cartridge body.

Unscrew the flow knob by rotating clockwise.

Fit the cover plate over the valve and secure with the two screws.

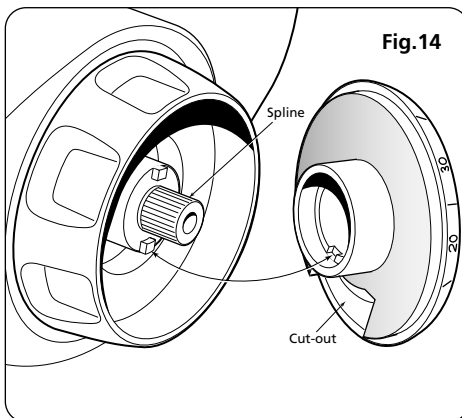
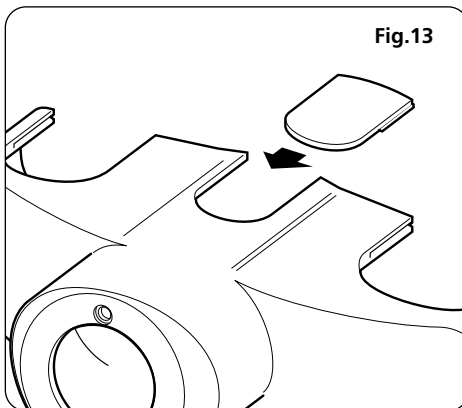
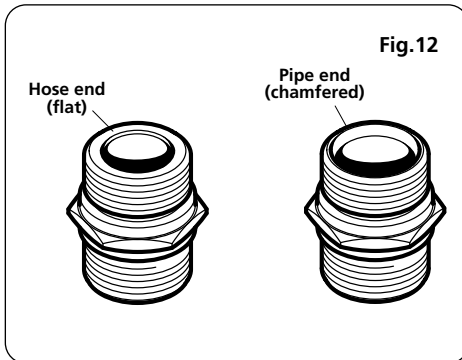
Screw in the flow knob by rotating in a anti-clockwise direction. Fit the circlip.

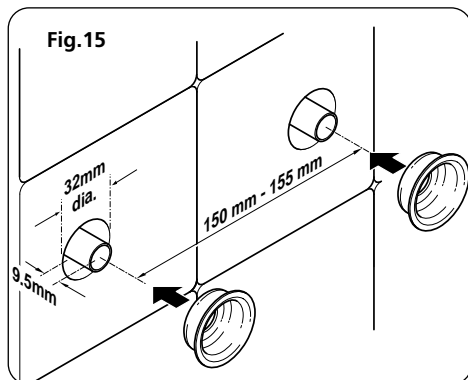
To ensure the temperature spline is in the fully hot position, temporarily fit the temperature control knob onto the spline and turn fully clockwise. Remove the control and then fit the temperature disc with the cut-out portion at the bottom and ensure that it engages on the two 'dogs' (fig.14).

Fit the temperature control knob onto the spline.

Turn on the water supplies.

At this point, refer to the 'commissioning procedure' in order to establish the correct maximum shower temperature.





Rear entry supplies

NOTE: The final separation between pipe centres needs to be between 150mm and 155mm (fig.15) but absolute accuracy is not essential as the inlet elbows have a minimal adjustment.

Using a spirit level, mark the route of incoming hot and cold water supply pipes at a distance of approximately 153mm centres.

Remove the plaster and brickwork to the required depth to conceal the supply pipework.

NOTE: Pipework installed in solid walls must be provided with sufficient free play inside a cavity to enable entry into the inlet elbows for tightening, prior to fixing the valve to the finished wall surface.

Install the hot and cold pipework (**the hot pipe must enter from the left**) ensuring that the finished pipework projects from the front face of the tiled surface of the wall by 9.5 mm (fig.16).

Allow for two circular recesses measuring 32mm diameter by 14mm depth, to accept the rear entry pipe trims (fig.15).

FLUSH THE PIPEWORK TO CLEAR THE SYSTEM OF ALL DEBRIS AND CHECK FOR LEAKS.

Important: The inlet elbows contain check valves that may be damaged if debris is not flushed through prior to fitting. Where this is not possible refer to the 'flushing procedure'.

Make good the wall and complete the tiling ensuring that the rear entry pipe trims are sealed in with either silicon sealant or grouting.

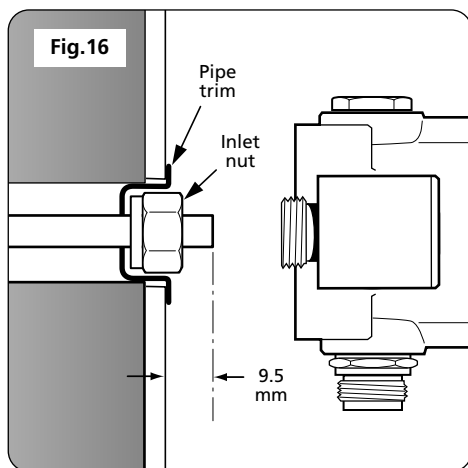
NOTE: Failure to fit the rear entry pipe trims could result in ingress of water into the wall cavity.

Offer the valve, together with the inlet elbows, to the pipework ensuring the inlet elbow grub screws are slack allowing the inlet elbows to be rotated to the correct orientation and move freely in and out of the valve housing.

Ensure the valve is central between the two pipes, mark the four fixing holes.

Remove the valve. Drill and plug the holes using the wall plugs provided or if fitting into a hollow wall structure use suitable cavity wall fixings.

Using two hexagonal nuts (supplied), refit the valve to the pipework **ensuring that the hot**



inlet port (marked with the letter 'H' on the valve housing) is connected to the hot pipework which must be on the left.

Tighten the inlet nuts with the spanner supplied then tighten the inlet elbow grub screws.

Secure to the wall with the screws supplied.

Fit the outlet adaptor and 'O' ring into the bottom outlet of the valve housing.

Ensure the adaptor is fitted with the PIPE END in the valve housing (fig.12). Fit the blanking plug and 'O' ring into the top outlet hole.

Connect the shower hose to the outlet and direct to waste.

Open the isolating valves to the shower and flush through ensuring that the flow control is opened fully and the temperature control is rotated to HOT and then to COLD.

Check for any leaks and remedy if necessary.

Slide the outlet blanking trim into the top outlet on the cover (fig.17).

Slide the handed inlet blanking trims on the underside of the cover (fig.18).

TURN OFF the water supplies.

Remove the central screw securing the temperature control knob (fig.5). Lift off together with the temperature disc.

Remove the circlip securing the flow control to the cartridge body.

Unscrew the flow knob by rotating clockwise.

Fit the cover over the valve and secure with the two screws.

Screw in the flow knob by rotating in a anti-clockwise direction. Fit the circlip.

To ensure the temperature spline is in the fully hot position, temporarily fit the temperature control knob onto the spline and turn fully clockwise. Remove the control and then fit the temperature disc with the cut-out portion at the bottom and ensure that it engages on the two 'dogs' (fig.19).

Fit the temperature control knob onto the spline.

Turn on the water supplies.

At this point, refer to the 'commissioning procedure' in order to establish the correct maximum shower temperature.

Fig.17

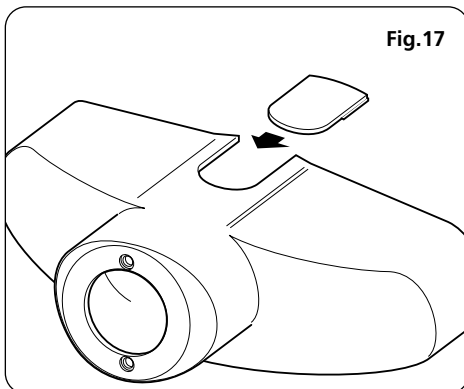


Fig.18

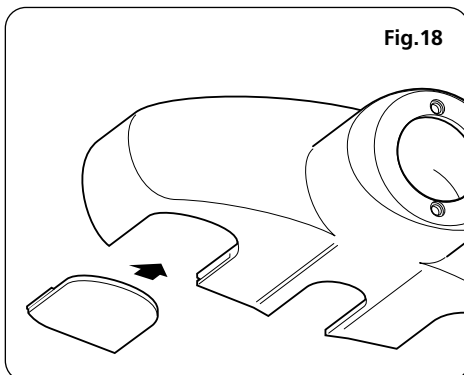
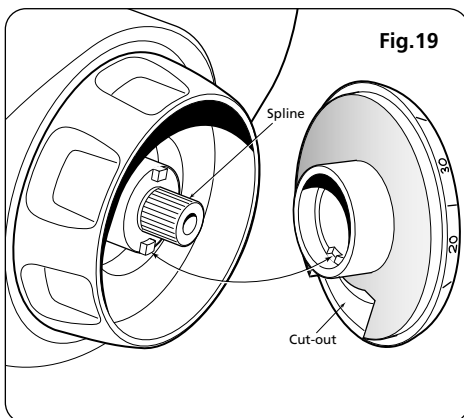
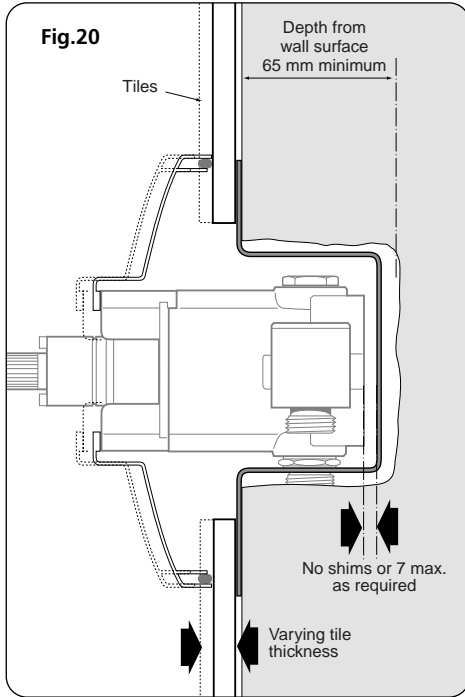


Fig.19



FLUSH-FITTED



The mixer valve includes a mounting bracket which allows the installer to mount the shower into a solid, stud partition or other hollow wall structures. The bracket can also be used for fitting in a shower cubicle or panel providing the back of the cubicle or panel is accessible.

When installing into a stud partition or other hollow wall structure the installer may wish to consider fabricating rear supports or other options for fitting the mounting bracket. Such options are beyond the scope of this guide.

NOTE: The bracket **MUST** be used for mounting the valve.

Use the supplied tiling shroud as a guide when cutting the aperture for installing the shower into a solid wall, stud partition or hollow wall structure.

Before starting, ensure the available depth of recess or cavity is at least 65mm measured from the face of the wall upon which the mounting bracket is screwed (excluding the tile thickness). The allowance for varying thickness of tiles up to 10mm is accommodated by fitting the supplied spacers between the valve body and the mounting bracket (fig.20).

The following is given as a guide for the required number of spacers for varying conditions:

Tile	6 – 10 mm
Adhesive	2 – 3 mm
Plaster skim	2 – 3 mm
Plaster board	9.5 – 12.5 mm

4 mm tiles = no spacers required.

6 mm tiles = 3 x 1mm spacer per side (6 total)

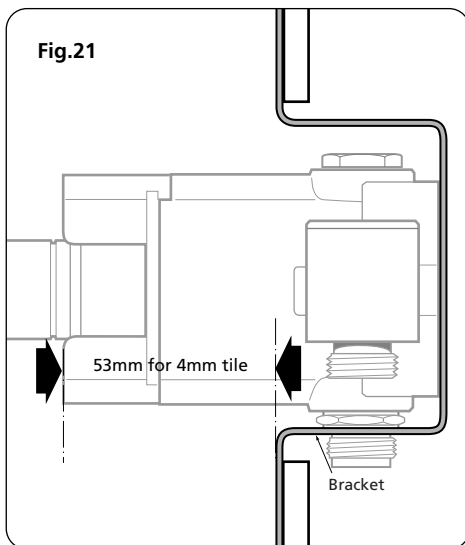
8 mm tiles = 5 x 1 mm spacer per side (10 total)

10 mm tiles = 7 x 1mm spacer per side (14 total)

NOTE: These are guideline quantities only.

For example, mounting the valve directly on to the bracket with no spacers will allow 53mm measured from the front face of the bracket to the front of the housing where the cover plate affixes (fig.21). This is provision for a 4mm tile plus the skim and adhesive.

Maximum tile thickness to be 10 mm.



Solid wall

The building depth for the mounting bracket into a solid wall is 65mm minimum.

Decide on the shower position and determine whether the hot and cold water supplies will enter the shower from the top (falling) or bottom (rising) or rear. NOTE: For rear entry supplies, in order to access the inlet elbow nuts (fig.22), it is advisable to have the pipework rising or falling from the elbows before routing to the rear.

Mark the route of the incoming and outgoing pipework.

NOTE: The final separation between pipe centres needs to be between 150mm and 155mm but absolute accuracy is not essential as the inlet elbows have a minimal adjustment.

As a guide for size of hole, place the tiling shroud on the wall and trace around it. Remove the plaster and brickwork to depth required and chase out any additional areas of wall to facilitate pipework to and from the valve.

Offer the mounting bracket up to the wall. Centralise and mark the four outer plain holes (fig.23). Drill and plug then screw the bracket to the wall. NOTE: It is essential to use the mounting bracket when installing the valve unit

Fit the outlet adaptor and 'O' ring into the top or bottom outlet of the valve housing for connection to the bulkhead. Ensure the adaptor is fitted with the HOSE END in the valve housing (fig.24). Fit the blanking plug and 'O' ring into the opposite outlet.

Ensure the inlet elbows are orientated the correct way. Offer the valve up to the mounting bracket, and secure using the four screws provided.

Complete the pipework to the shower marking off the length to enter the elbows. Sufficient free play must be left in the pipework to allow for adjustment of valve. Do not secure the pipes within 2 metres of the valve.

Remove the valve and cut the pipes to length.

FLUSH THE PIPEWORK TO CLEAR THE SYSTEM OF DEBRIS AND CHECK FOR LEAKS. Important: The inlet elbows contain check valves that may be damaged if debris is not flushed through prior to fitting. Where this is not possible refer to the flushing procedure.

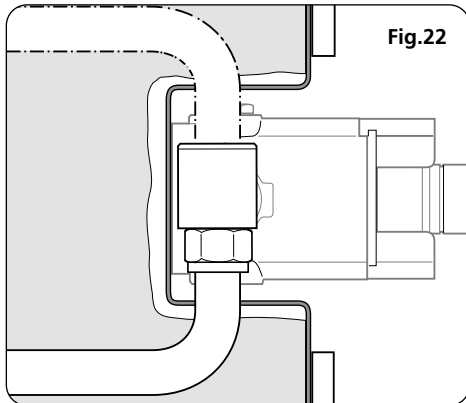


Fig.22

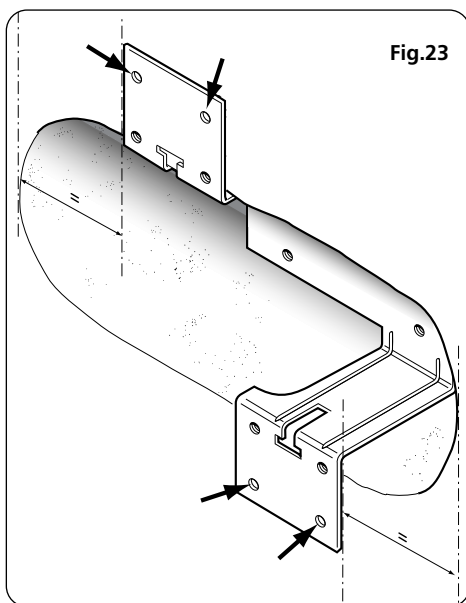


Fig.23

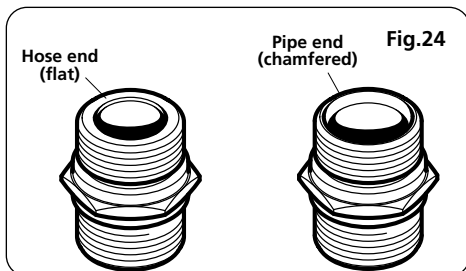
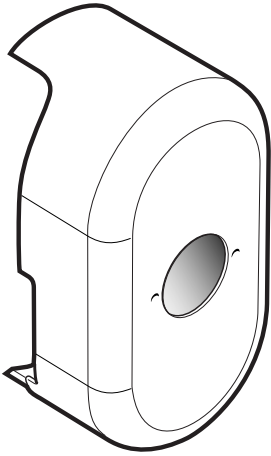


Fig.24

Fig.25



Refit the valve to the mounting bracket and pipework. Tighten the inlet nuts and inlet elbow grub screws.

Refer to 'Fitting the bulkhead' and complete outlet pipework. Before making good and fitting the bulkhead to the wall, connect the shower hose and direct it to waste.

Open the isolating valves to the shower and flush through ensuring the flow control is opened fully and the temperature control is rotated to HOT and then to COLD. Check for leaks and remedy if necessary.

TURN OFF the water supplies.

Remove the central screw securing the temperature control knob (fig.5). Lift off together with the temperature disc.

Remove the circlip securing the flow control to the cartridge body.

Unscrew the flow knob by rotating clockwise.

Make good the wall surface using the tiling shroud supplied. Place the tiling shroud (fig.25) over the mixer valve and secure temporarily using the two cover plate screws. Plaster or tile up to the edge of the shroud. NOTE: The tiles must be accurately cut to match the profile of the shroud. The cover plate will then accurately seal the hole, and enable the valve unit to be removed from the mounting bracket without the need to break any tiles.

Ensure the grout lines are flush with the tiles in order to provide a smooth sealing surface for the cover plate. When complete, remove the tiling shroud.

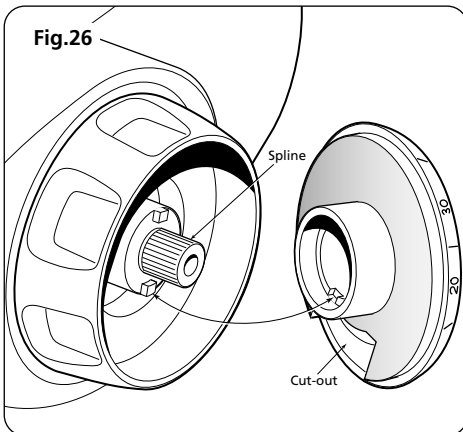
Fit the cover plate over the valve and secure with the two retaining screws. DO NOT use silicon sealer to secure the plate to the wall.

Screw in the flow control knob by rotating in a anti-clockwise direction. Fit the circlip.

To ensure the temperature spline is in the fully hot position, temporarily fit the temperature control knob onto the spline and turn fully clockwise. Remove the control and then fit the temperature disc with the cut-out portion at the bottom and ensure that it engages on the two 'dogs' (fig.26).

Fit the temperature control knob onto the spline. Turn on the water supplies.

Fig.26



At this point, refer to the 'commissioning procedure' in order to establish the correct maximum shower temperature.

Hollow wall

The mounting bracket supplied with the shower is suitable for use on a plasterboard wall of between 9.5mm to 12.5mm thickness.

Decide on the shower position and determine whether the hot and cold water supplies will enter the shower from the top (falling) or bottom (rising) or rear. NOTE: For rear entry supplies, in order to access the inlet elbow nuts (fig.27), it is advisable to have the pipework rising or falling from the elbows before routing to the rear.

As a guide for size of hole, place the tiling shroud on the wall and trace around it.

NOTE: The final separation between pipe centres needs to be between 150mm and 155mm but absolute accuracy is not essential as the inlet elbows have a minimal adjustment.

Take out the plasterboard and offer the mounting bracket up to the wall. Centralise and mark the four outer plain holes (fig.28). Remove the bracket and drill the wall.

Two additional flat 'T' brackets are supplied for hollow wall fixing. Slide the 'T' piece section through the slot either side of the mounting bracket then insert it into the wall cavity and position the two flat brackets in line with the drilled holes (fig.29). Secure using the bolts provided.

Fit the outlet adaptor and 'O' ring into the top or bottom outlet of the valve housing for connection to the bulkhead. Ensure the adaptor is fitted with the HOSE END in the valve housing (fig.24). Fit the blanking plug and 'O' ring into the opposite outlet.

Ensure the inlet elbows are oriented the correct way. Offer the valve up to the mounting bracket and secure using the screws provided. Complete the pipework to the shower marking off the length to enter the elbows.

Remove the valve and cut the pipes to length.

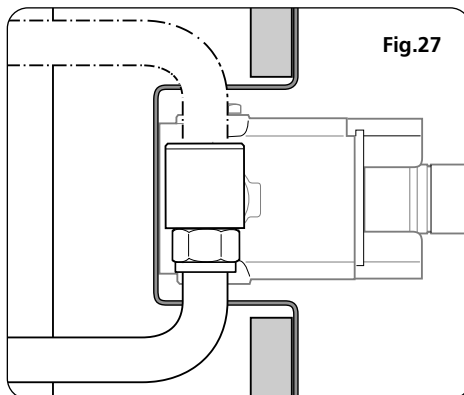


Fig.27

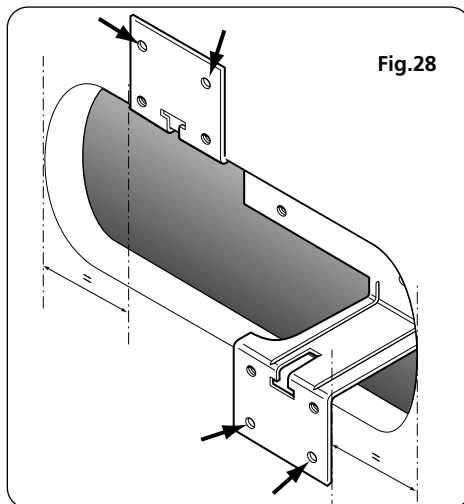


Fig.28

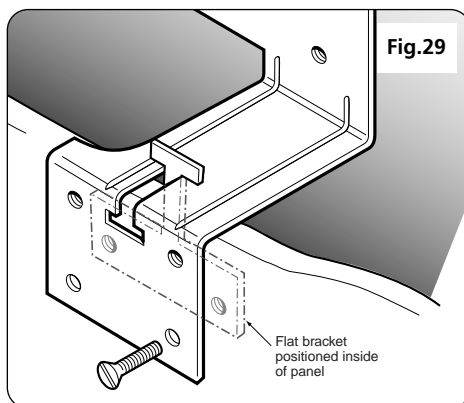
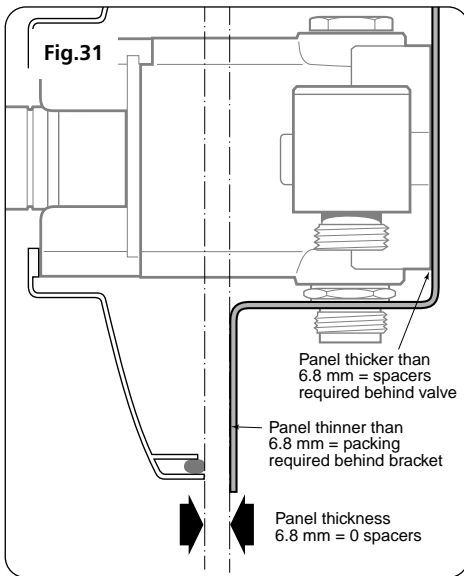
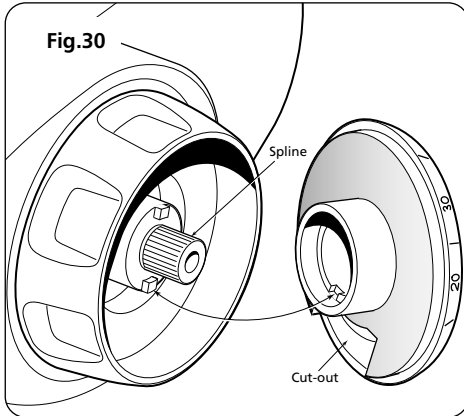


Fig.29



FLUSH THE PIPEWORK TO CLEAR THE SYSTEM OF DEBRIS AND CHECK FOR LEAKS.

Important: The inlet elbows contain check valves that may be damaged if debris is not flushed through prior to fitting. Where this is not possible refer to the flushing procedure.

Refit the valve to the mounting bracket and pipework. Tighten the inlet nuts and inlet elbow grub screws.

Refer to 'Fitting the bulkhead' and complete outlet pipework.

Before making good, tiling and fitting the bulkhead to the wall connect the shower hose and direct it to waste.

Open the isolating valves to the shower and flush through ensuring that the flow control is opened fully and the temperature control is rotated to HOT and then to COLD.

TURN OFF the water supplies.

Remove the central screw securing the temperature control knob (fig.5). Lift off together with the temperature disc.

Remove the circlip securing the flow control to the cartridge body.

Unscrew the flow knob by rotating clockwise.

Make good the wall surface using the tiling shroud supplied. Place the tiling shroud (fig.25) over the mixer valve and secure temporarily using the two cover plate screws. Plaster or tile up to the edge of the shroud. NOTE: The tiles must be accurately cut to match the profile of the shroud. The cover plate will then accurately seal the hole, and enable the valve unit to be removed from the mounting bracket without the need to break any tiles.

Ensure the grout lines are flush with the tiles in order to provide a smooth sealing surface for the cover plate. When complete, remove the tiling shroud.

Fit the cover plate over the valve and secure with the two retaining screws. DO NOT use silicon sealer to secure the plate to the wall.

Screw in the flow control knob by rotating in a anti-clockwise direction. Fit the circlip.

To ensure the temperature spline is in the fully hot position, temporarily fit the temperature control knob onto the spline and turn fully

clockwise. Remove the control and then fit the temperature disc with the cut-out portion at the bottom and ensure that it engages on the two 'dogs' (fig.30). Fit the temperature control knob onto the spline.

Turn on the water supplies.

At this point, refer to the 'commissioning procedure' in order to establish the correct maximum shower temperature.

Shower cubicle or panel

To use the wall mounting bracket supplied with a shower cubicle or a laminated panel, the thickness of the panel should be 6.8mm (fig.31). This allows the valve to sit on the mounting bracket without spacers. If the panel is thicker than 6.8mm then spacers will have to be fitted between the valve and bracket. If the panel is thinner than 6.8mm then packing will have to be fitted between the panel and bracket.

Decide on the shower position and determine whether the hot and cold water supplies will enter the shower from the top (falling) or bottom (rising) or rear.

Mark the wall for an aperture of 180mm wide x 65mm deep (fig.32).

Cut the opening and offer the mounting bracket up to the back of the panel. Centralise and mark the four tapped holes (fig.33). Remove the bracket and drill the panel (and packing if used).

Fit the outlet adaptor and 'O' ring into the top or bottom outlet of the valve housing for connection to the bulkhead. Ensure the adaptor is fitted with the HOSE END in the valve housing (fig.24). Fit the blanking plug and 'O' ring into the opposite outlet.

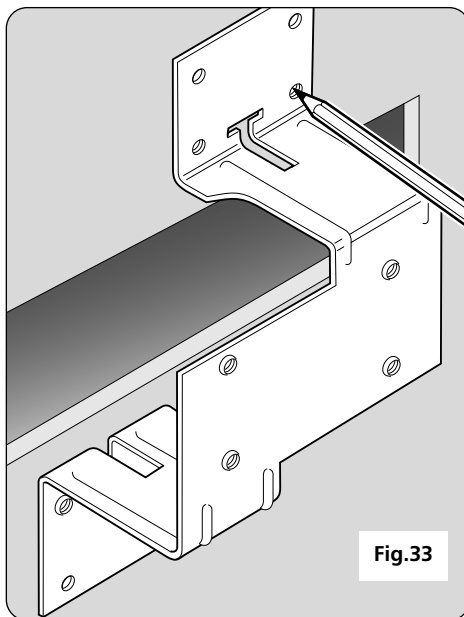
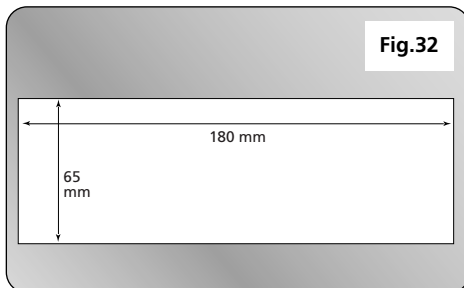
Ensure the inlet elbows are orientated the correct way. Offer the valve up to the mounting bracket and secure using the screws provided.

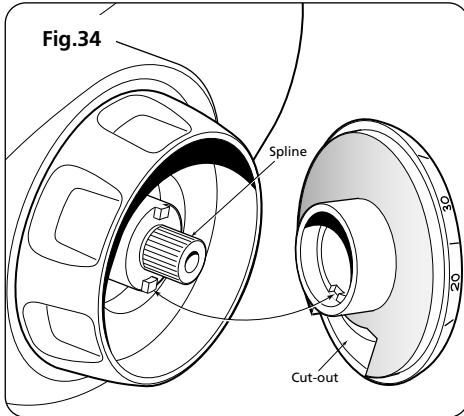
Fix the mounting bracket together with the valve to the panel using the supplied bolts and washers.

Complete the pipework to the shower marking off the length to enter the elbows.

Remove the valve and mounting bracket and cut the pipes to length.

FLUSH THE PIPEWORK TO CLEAR SYSTEM OF DEBRIS AND CHECK FOR LEAKS.





Important: The inlet elbows contain check valves that may be damaged if debris is not flushed through prior to fitting. Where this is not possible refer to the flushing procedure.

Refit the valve and mounting bracket and connect the pipework. Tighten the inlet nuts and inlet elbow grub screws.

Refer to 'Fitting the bulkhead' and complete outlet pipework.

Before fitting the bulkhead to the panel connect the shower hose and direct it to waste.

Open the isolating valves to the shower and flush through ensuring that the flow control is opened fully and the temperature control is rotated to HOT and then to COLD. Check for any leaks and remedy if necessary.

TURN OFF the water supplies.

Remove the central screw securing the temperature control knob (fig.5). Lift off together with the temperature disc.

Remove the circlip securing the flow control to the cartridge body.

Unscrew the flow control knob by rotating clockwise.

Fit the cover plate over the valve and secure with the two retaining screws. DO NOT use silicon sealer to secure the plate to the panel.

Refit the flow control knob by rotating in a anti-clockwise direction. Fit the circlip.

To ensure the temperature spline is in the fully hot position, temporarily fit the temperature control knob onto the spline and turn fully clockwise. Remove the control and then fit the temperature disc with the cut-out portion at the bottom and ensure that it engages on the two 'dogs' (fig.34). Fit the temperature control knob onto the spline.

Turn on the water supplies.

At this point, refer to the 'commissioning procedure' in order to establish the correct maximum shower temperature.

FLUSHING PROCEDURE

Important. It is preferable to flush the pipework before installing the valve. Where this is not possible the following procedure should be adhered to. NOTE: This is only convenient for surface mounted installations. For flush mounted options, it is essential to flush the pipework **before** installing the valve in position and completing the tiling.

Flushing procedure

- a** Isolate the supplies.
- b** Unscrew the elbow cap using the 8mm allen key supplied and pull off the cap complete with the filter (fig.35).
- c** Screw the supplied flushing cartridge into the elbow until tight (fig.36).
- d** Attach a hose to the flushing cartridge (fig.37) outlet and direct the other end to waste. Flush the pipe clean.
- e** Refit the filter and cap to the elbow. Screw tight with the allen key.
- f** Repeat the above procedure on the other elbow.
- g** Reinststate supplies and test the valve operation.

NOTE: It is not possible to service the check valves. Should a faulty check valve occur, a new elbow assembly will be required.

Spare flushing cartridges (fig.38) are available from Triton Customer Service.

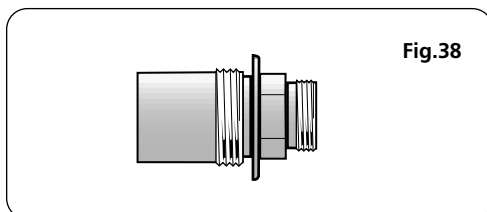
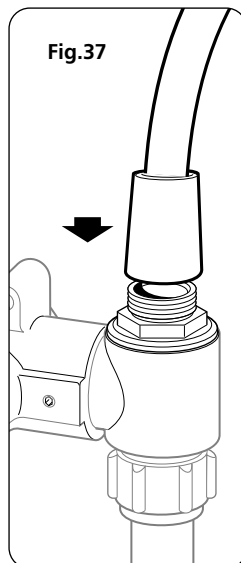
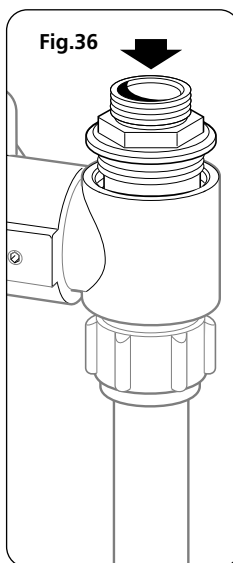
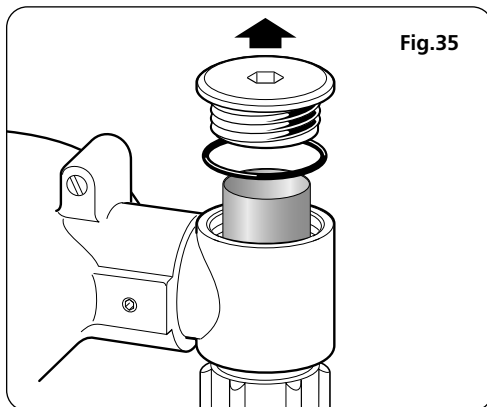
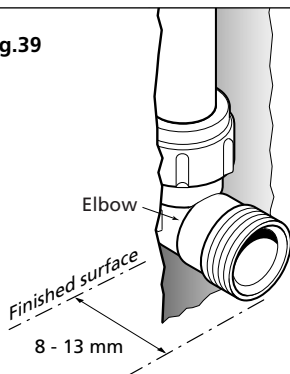


Fig.39



FITTING THE BULKHEAD

Complete the outlet pipework ending in a 1/2" x 15 mm male thread to compression elbow or straight connector with suitable thread length (fig.39).

NOTE: This fitting is not supplied as variations in installations necessitates selection of the most appropriate fitting.

Before making good and tiling the wall, flush the pipe and test for leaks.

The bulkhead and its cover are supplied assembled. Separate the two halves by carefully prising apart.

Fit the elbow to the bulkhead and secure with the three screws supplied (fig.40).

Screw the bulkhead assembly onto the threaded fitting temporarily in order to mark the position of the two fixing holes (fig.41) for securing the bulkhead to the wall.

Unscrew and remove the bulkhead. Check the location of the pipe in the wall before drilling.

Drill and plug the holes using the wall plugs supplied or if fitting to a hollow wall structure, use suitable cavity wall fixings.

Apply PTFE tape to the threaded fitting.

Screw the bulkhead assembly onto the threaded fitting until tight to the wall and the two fixing holes are aligned. Secure to the wall with the two screws supplied (fig.42).

Finally, finish by clipping the cover onto the bulkhead ensuring the protruding legs locate in the bulkhead body.

Fig.40

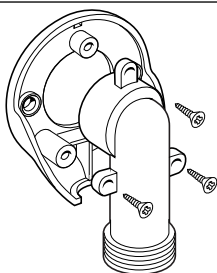


Fig.41

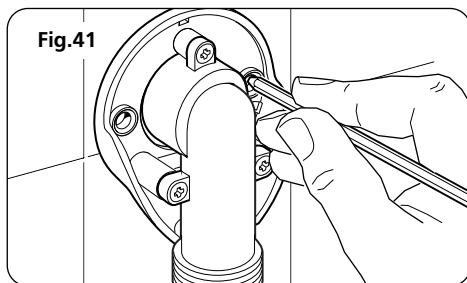
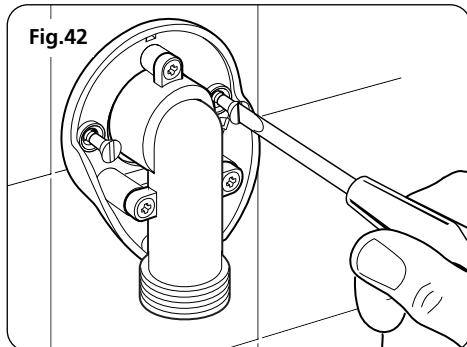


Fig.42



WARNING: Check there are no hidden cables or pipes before drilling holes for wall plugs. Use great care when using power tools near water. The use of a residual current device (RCD) is recommended.

FITTING THE RISER RAIL

Decide the position for the rail on the wall within the shower area. Proceed as follows:

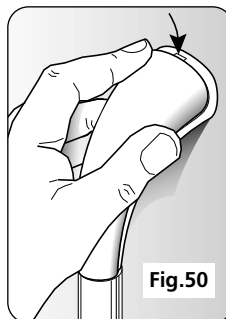
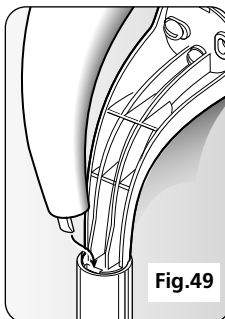
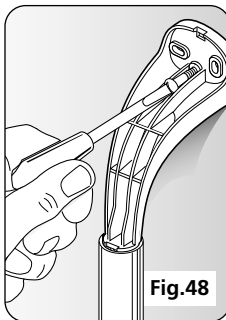
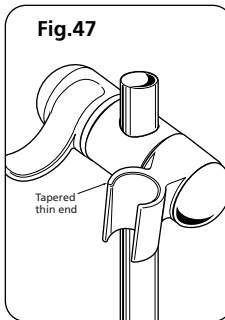
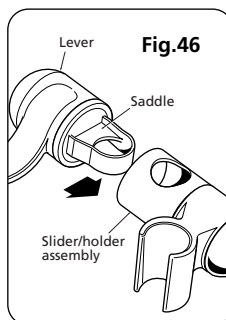
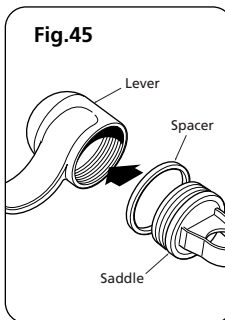
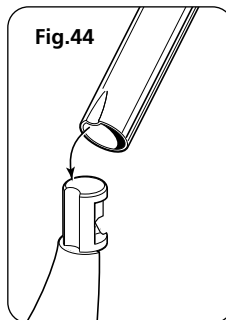
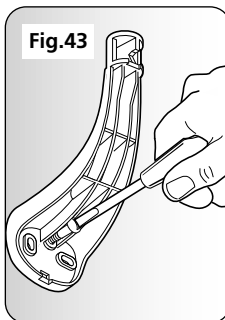
A Offer one of the two brackets to the wall for the lower position only. Note there are three holes in the brackets but two screws will usually be sufficient. However, the centre hole must be used so mark this and either of the other two. Drill and plug the wall. Replace the bracket to the wall and secure to the wall with the screws supplied (fig.43). Locate the rail onto this lower bracket ensuring the rail engages fully on the bracket (fig.44). Ensure the indent in the riser rail engages into the cut-out on the bracket end (fig.44).

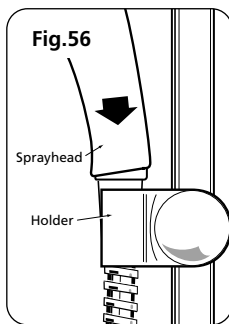
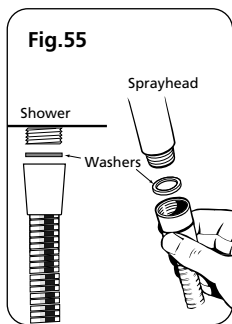
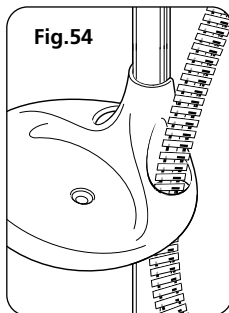
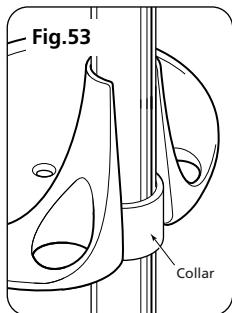
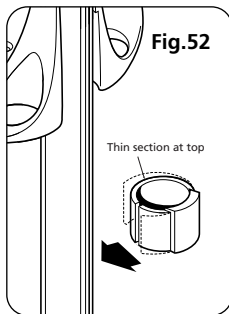
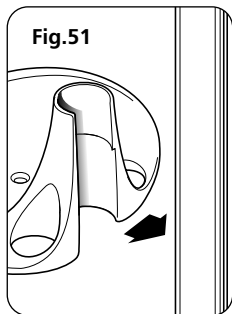
B Locate the second bracket on top of the rail. Again mark the centre hole plus one of the other two holes. Ensure the rail is vertical. Remove the bracket and rail. Drill and plug the wall.

C With the saddle, spacer and lever parts to hand, screw the saddle 2 or 3 turns into the lever (fig.45). Place the saddle and lever into the slider/holder assembly (fig.46) so that the holes align, then slide onto the rail (fig.47). Tighten to the rail by turning the lever. When tight, the lever should be facing forwards and not pointing to the wall. If not, slacken off and remove from the rail. Rotate the saddle and lever 180° within the slider/holder assembly then replace onto the rail and tighten. Ensure the tapered thin end of the spray head holder is in the uppermost position.

D Place the rail onto the installed lower bracket. Replace the upper bracket onto the rail and secure the bracket to the wall with the screws supplied (fig.48).

E Place a trim cover onto each bracket ensuring the large protrusion at the narrow end of the trim cover, engages into the slot between the rail and bracket (fig.49) before pushing and clicking the other end into place (fig.50). Should the need arise, the trim covers can be removed by inserting





a screwdriver into the slot and carefully levering off the trim.

F Snap the soap dish onto the rail (fig.51) below the holder assembly. Prise open the soap dish collar and fit onto the rail (fig.52) below the dish. Note the collar is slightly tapered and should be fitted 'thinner section' uppermost. Ensure it locates firmly in the soap dish (fig.53) so that it holds the dish at the required height on the rail.

FITTING THE HOSE AND SPRAYHEAD

Feed the flexible hose through the appropriate soap dish aperture (fig.54) in order that the dish acts as a retaining ring (Water Regulations).

Screw the flexible hose to the sprayhead (or bulkhead if flush fit option) and sprayhead (fig.55) ensuring the supplied washers are in place at both ends of the flexible hose.

Place the sprayhead into the holder (fig.56) and check that it fits correctly. **NOTE:** The holder is slightly tapered and the sprayhead and hose will only fit from one direction. **Important:** It is the conical end of the hose which grips into the holder. The sprayhead will not fit in the holder without the hose attached.

COMMISSIONING AND ADJUSTING THE MAXIMUM TEMPERATURE STOP

ENSURE THAT ALL SUPPLY PIPEWORK HAS BEEN FLUSHED THROUGH PRIOR TO COMMISSIONING.

The mixer valve is factory set to provide a maximum outlet temperature of 39° - 41°C but this should be checked on site to ensure the setting has not been altered and also to ensure user safety.

Ensure that both hot and cold water supplies are fully open and at (or near to) their design temperature and pressures and are within the requirements as stated.

The shower has a maximum temperature stop to prevent accidental rotation to higher water temperatures. This is factory set to provide a maximum temperature of 39° – 41°C based on the hot and cold water supplies being 57°C and 15°C respectively at nominally equal pressures.

Ensure the temperature spindle is at the maximum temperature setting, i.e. rotated fully clockwise. If not, rotate the control knob fully clockwise, overriding the maximum temperature stop, until a firm resistance is felt.

Ensure the hose is connected to the bulkhead and is directed to waste. Start the water flow by turning the flow control anti-clockwise.

Allow the shower to run at the maximum temperature setting until the water temperature has stabilised. Using the temperature control knob, rotate the spline anti-clockwise until the desired water temperature is reached.

When the water temperature is satisfactory, remove and re-align the temperature control knob on to the spline *ensuring* it is replaced so that the raised rib (fig.57) butts against the protruding 'stop' of the stop mechanism (fig.58). Check the maximum setting is correct and that it locks out against the stop before refitting the central screw and replacing the knob trim.

To adjust the maximum temperature stop

Remove the temperature control disc. The control disc houses the maximum temperature stop mechanism (fig.58). To increase the temperature stop setting, reposition the temperature stop mechanism clockwise within the arc of the grooves.

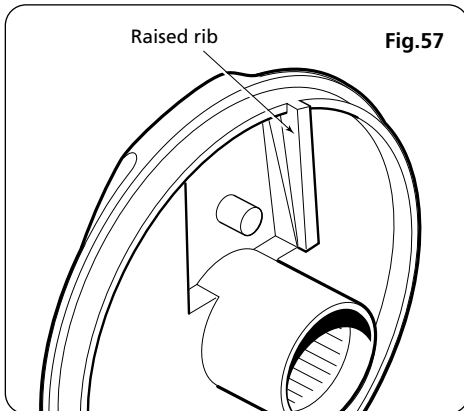


Fig.57

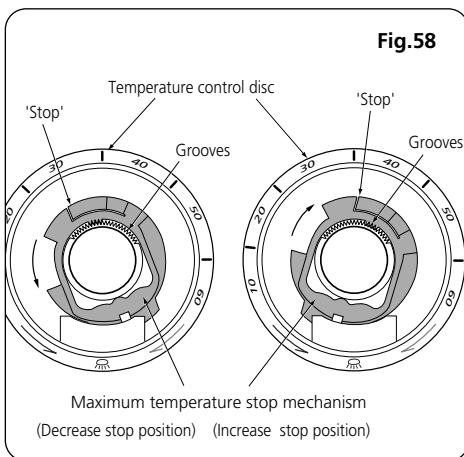


Fig.58

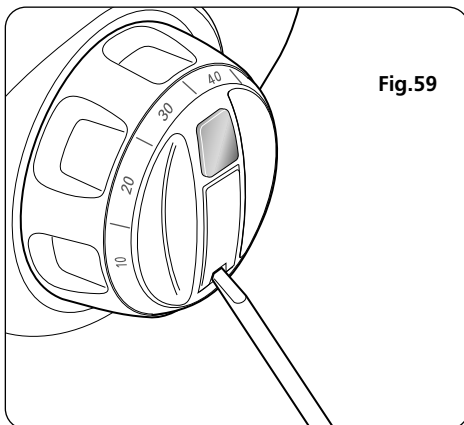
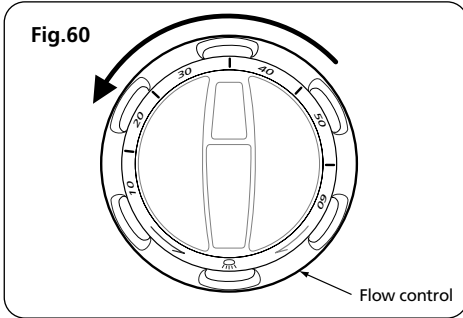


Fig.59



To decrease the temperature stop setting, reposition the stop mechanism anti-clockwise within the arc of the grooves. When the stop mechanism is set at the preferred position, refit the temperature control disc.

Refit the temperature control knob *ensuring* it is replaced in the same attitude as when removed and it locks out against the stop.

Important: Only adjust the maximum temperature stop when the hot water is at its usual supply temperature.

Turn the shower on and off several times and check the maximum setting is correct before refitting the central screw and replacing the knob trim.

Finally, check the thermal shut off facility of the valve by performing a thermal shut off test. Shut off the cold supply. The flow from the shower should stop immediately or reduce to a trickle in which case the water temperature should be less than 43°C. In either case there is no risk of scalding.

If however the temperature is above 43°C then it is likely there is contamination in the valve preventing it from shutting off the hot supply. In this case refer to the maintenance section or contact Customer Service.

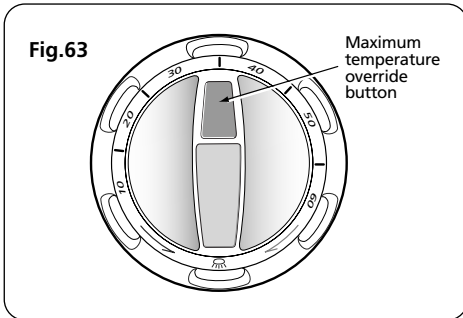
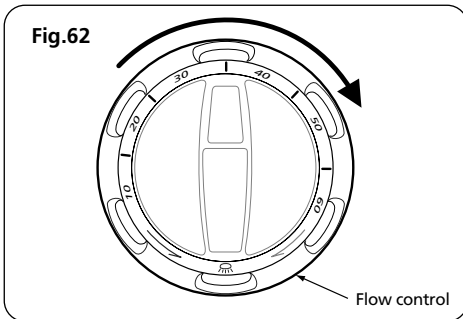
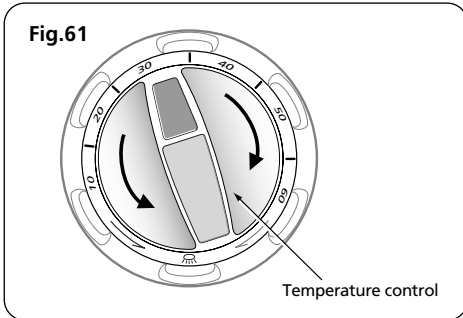
Should the maximum temperature stop require adjustment in the future, first remove the temperature knob trim using a thin bladed screwdriver (fig.59). Then unscrew the central fixing screw and remove the temperature control to reveal the mechanism.

OPERATING THE SHOWER

Ensure all plumbing supplies are connected and turned on. To start the shower, rotate the flow control anti-clockwise (fig.60). To adjust the temperature, rotate the inner knob – temperature control (fig.61).

The temperature disc is numbered but note the numbers roughly relate to °C as a guide only. They are not accurate due to the varying stored hot water temperatures in each installation.

Once at the preferred temperature, no further adjustment is required, providing the hot and cold water supplies remain constant.



To stop the shower, return the flow control to the stop position by rotating clockwise (fig.62). This automatically stops the water flow.

As a safety measure the shower has a built-in maximum temperature stop to prevent accidentally exceeding the highest desired temperature. The stop comes in a factory set position. (If adjustment is required see '*Adjusting the maximum temperature stop*').

To override this stop, depress the button (fig.63) and turn the control clockwise to the higher settings. To return to the normal temperature range just turn the temperature control anti-clockwise until it is past the maximum temperature stop.

Ensure that the temperature control is in the normal temperature range when the shower is turned off.

FILTER CLEANING

Using the allen key supplied, unscrew the filter cap (fig.64) on each inlet elbow and remove the filter. Wash the filter thoroughly under running water to remove all debris. Replace the filter into the recess on the cap and screw the unit back into the elbow ensuring the 'O' ring is in place. Tighten with the allen key.

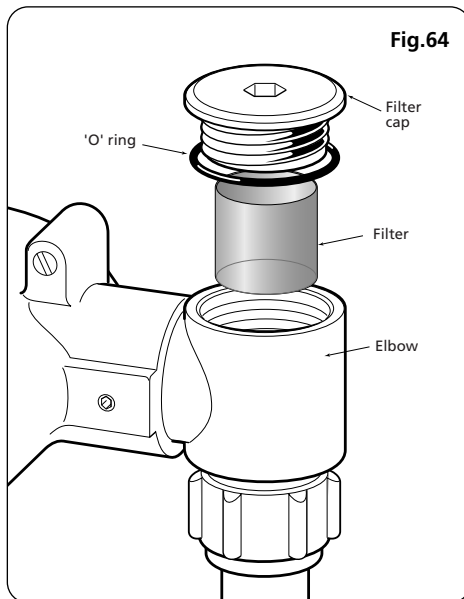
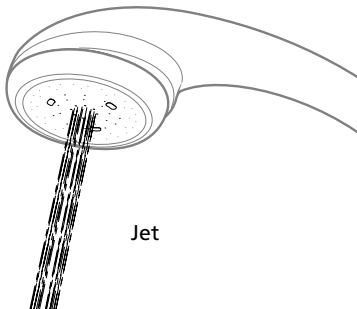
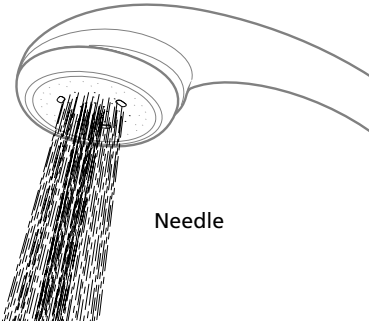
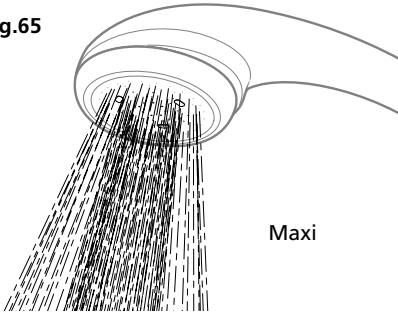


Fig.65



ADJUSTING THE SPRAYHEAD

Four sprayhead patterns are available (fig.65). Adjustment is by turning the bezel on the sprayhead in either direction until the desired pattern is obtained.

Maxi

A full spray perfect for a relaxing shower.

Ultra

A focused spray for a refreshing, satisfying shower.

Needle

A tingling, fine spray for a highly invigorating shower.

Jet

A concentrated spray for an exhilarating shower.

SPRAYHEAD CLEANING

It is recommended that the shower unit, riser rail, hose etc. be cleaned using a soft cloth and that the use of abrasive or solvent cleaning fluids be avoided.

IT IS MOST IMPORTANT TO KEEP THE SPRAYHEAD CLEAN IN ORDER TO MAINTAIN THE PERFORMANCE OF THE SHOWER.

The hardness of the water will determine the frequency of cleaning.

Sprayplate removal

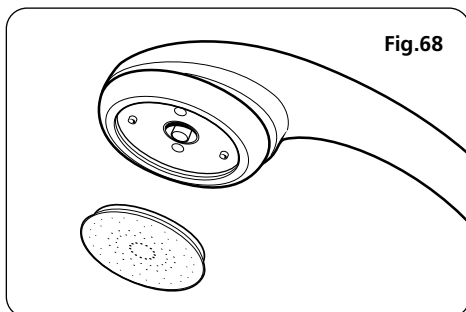
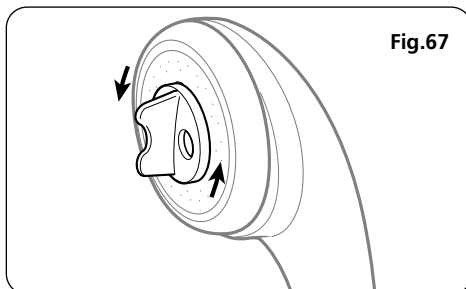
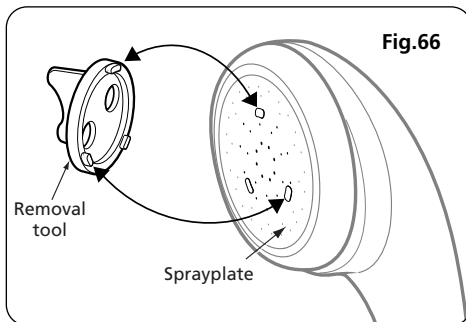
There is no need to remove the sprayhead from the hose.

Using the removal tool supplied (fig.66), locate the three raised 'bosses' into the three recesses in the sprayplate. Hold in firmly and twist anti-clockwise (fig.67). This movement may turn the cartridge assembly as well until it reaches a 'stop'. Hold the cartridge firmly and continue to twist anti-clockwise. Having loosened the sprayplate sufficiently, it can be unscrewed and removed completely (fig.68).

Clean the sprayplate with a suitable brush or preferably leave it to soak overnight in a mild proprietary descaler. Ensure all traces of scale are removed and thoroughly rinse in clean water afterwards.

Before replacing the sprayplate, it is advisable to direct the hose and sprayhead to waste, and start the shower to flush out any loose scale deposits. Stop the shower after approximately 30 seconds.

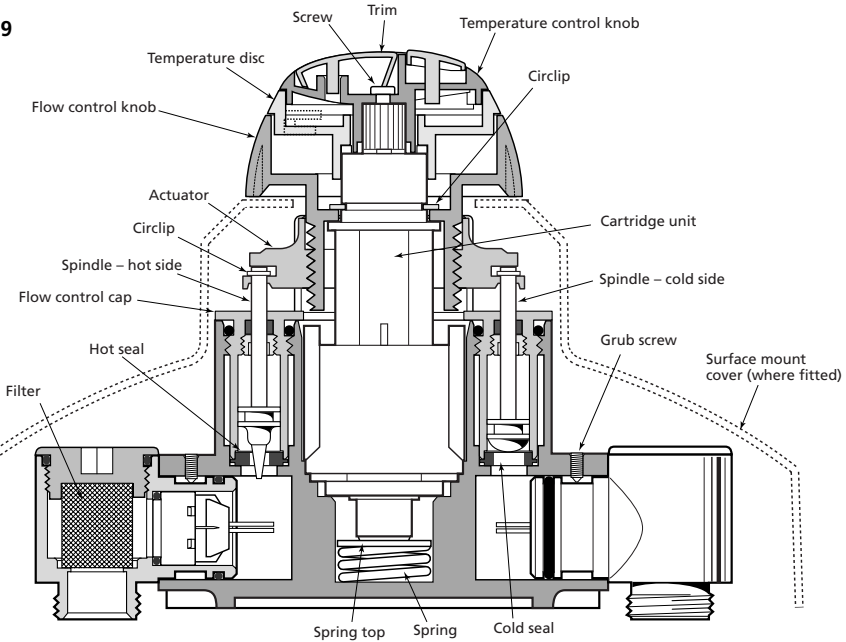
Refit the sprayplate by screwing clockwise. Use the tool to screw the sprayplate tight.



WARNING

Do not use 'powerful' abrasive or solvent cleaning fluids when cleaning the shower as they may damage the plastic fittings

Fig.69



MAINTENANCE

(The following maintenance procedure must be carried out for commercial and health care premises, but is not necessarily required for domestic installations).

Maintenance of the unit is required to ensure continued performance after installation and that it continues to provide scald prevention.

The frequency of routine maintenance of the internal of the valve will depend mainly on the water supply condition. Local knowledge will dictate suitable intervals. In addition, the following precautions should be observed.

Filters

Initially check the filters (fig.69) for debris once every three months and clean if necessary. This period can be increased if appropriate once the general condition and cleanliness of the water is established. Full flushing out may be necessary if debris is found or suspected.

Thermal shut off test

Perform a thermal shut off test every three months, and check the maximum temperature

setting. See the 'Commissioning' section for the details of this test and re-adjustment of the maximum temperature setting if required.

If the maximum water temperature varies by more than 2°C from the commissioned setting then ensure the filters are clean and that the isolating valves are fully open. Test the non-return valves as described below.

Non-return valves

The non-return valves (NRVs) prevent cross-flow between hot and cold supplies under unequal pressure conditions. They are designed for long life with no maintenance. Their function can be tested as follows:

First, set the temperature control to the 40° setting. To test the NRV on the hot side, shut off the hot supply and ensure the cold supply is open. Be prepared for leakage of trapped water in the pipe and remove the filter on the hot side. Evidence of continuing leakage from the filter body means water is coming through the hot supply NRV.

To test the NRV on the cold side, shut off the cold

supply and ensure the hot supply is open. Be prepared for leakage of trapped water in the pipe and remove the filter on the cold side. Evidence of continuing leakage from the filter body means water is coming through the cold supply NRV.

If either NRV is leaking then the inlet elbow – complete with NRV and filter, should be replaced. It is not possible to satisfactorily remove the NRV itself from the elbow and should not be attempted.

If these tests do not highlight the reason for the temperature variation, then follow the procedure below for investigating failure of the thermal shut off test.

Flow control and cartridge removal

For easier access to the internal parts (fig.69), the valve should be removed from the pipework and laid out in a clean environment.

Carefully prise out the temperature knob trim using a thin bladed screwdriver.

Remove the central screw securing the temperature control knob and lift off together with the temperature disc.

Remove the circlip securing the flow control to the cartridge body.

Unscrew the flow knob by rotating clockwise. Remove the four screw securing the cartridge cover to the brass housing.

Remove the two circlips securing the spindles to the flow actuator. Lift off the actuator.

If flow from the valve cannot be turned off fully, the flow controls must be serviced as follows:

With the spanner supplied, unscrew the two flow control caps and pull out the complete assemblies. The seals will probably still be located inside the housing and must therefore be carefully removed. New seals must be fitted and the hot and cold cones re-inserted into the correct inlets (hot side is the smaller inside diameter).

If the flow controls do not require servicing, proceed as follows:

Pull out the cartridge body unit. NOTE: The cartridge assembly is not recommended to be serviced and must be replaced if found faulty.

Remove the spring and spring top.

Check the internal surface for scaling. All rubber parts must be removed prior to descaling.

Maintenance kits are available which contain the necessary 'O' rings. Smear all 'O' rings with silicon grease prior to installing them.

Replace the 'O' rings every three years – maintenance kits with spare 'O' rings are available. Smear silicon grease on all 'O' rings before assembling.

IN-SERVICE TESTING

Periodic testing should be undertaken to check whether deterioration has occurred in the performance of the mixer valve.

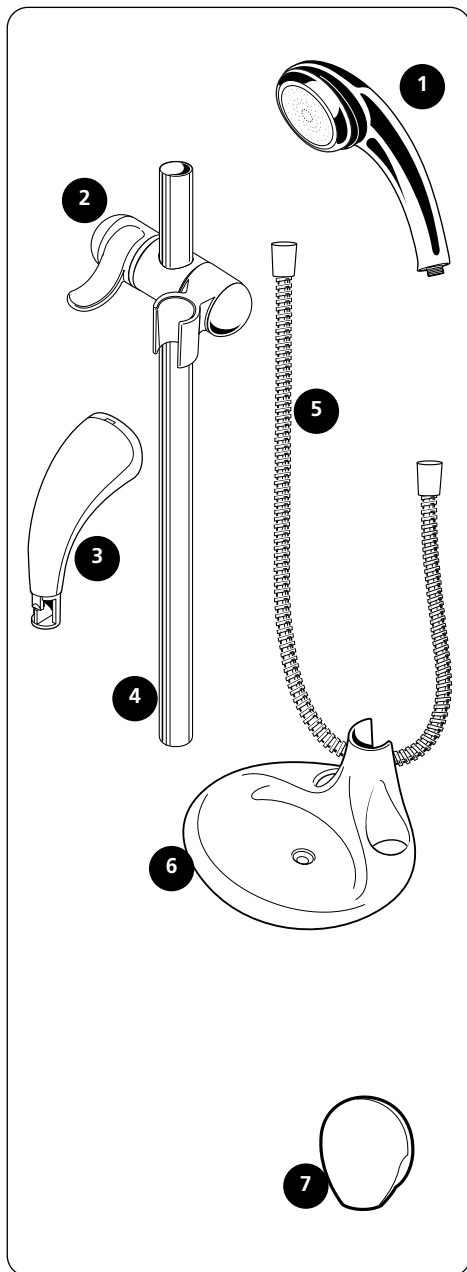
A thermal shut off test, as described under maintenance, should be carried out. If water coming from the shower head is at a temperature of more than 2°C above the maximum mixed water temperature setting then the valve unit is due for maintenance.

NOTE: A thermostatic mixing valve in need of maintenance can be undetectable in normal use and only becomes apparent when a disruption occurs in the hot or cold water supply temperatures or pressures.

The frequency of in-service testing depends upon the water condition passing through the unit. In-service testing should be between six to twelve months, but less than six month intervals in areas of hard water.

Experience of local conditions and the in-service testing record will dictate the frequency of in-service testing.

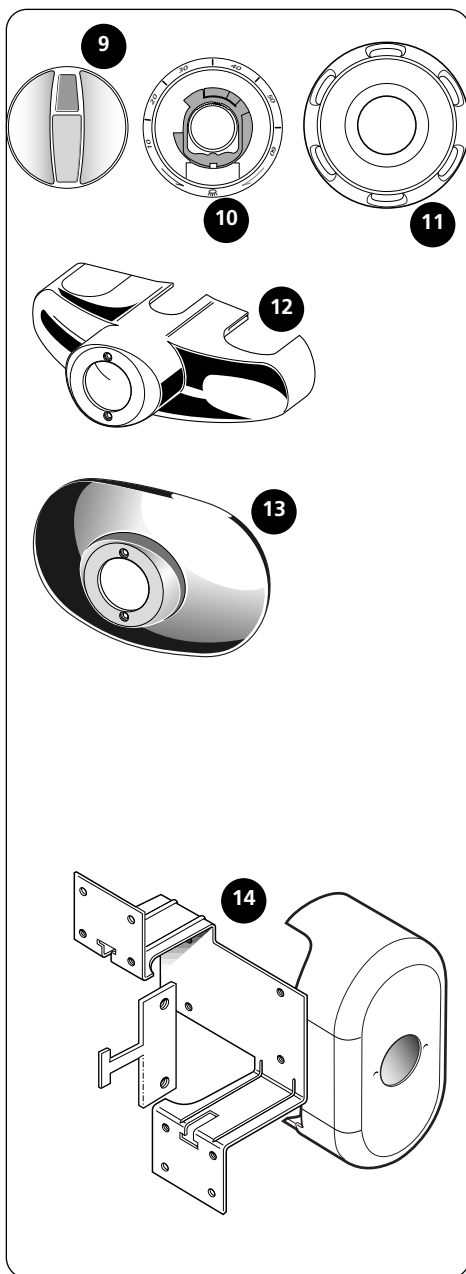
SPARE PARTS



Ref.	Description	Part No.
1	4 mode sprayhead white/chrome all chrome all gold	22410010
		22410040
		22410050
2	Sprayhead holder	83306190
3	Brackets (pr.)	83306160
4	Riser rail	7042409
5	Flexible hose chrome	22003970
6	Soap dish white clear	22008960
		220089709
7	Bulkhead assembly white all chrome all gold	85500170
		85500180
		85500190

SPARE PARTS

Ref.	Description	Part No.
9	Temperature control knob white all chrome all gold	7052466 7052577 7052578
-	Temperature control trim white all chrome all gold	7052485 7052592 7052593
10	Temperature disc HP white HP chrome HP all gold	7052467 7052579 7052580
11	Flow control knob white all chrome all gold	7052454 7052571 7052572
12	Trim kit – surface mount all chrome all gold	83500050 83500060
13	Trim kit – flush mount all chrome all gold	83500020 83500030
14	Fixing kit flush surface	83500010 83500040
-	Flow control hot – HP	7122476
-	Flow control cold	7122613
-	Thermostatic cartridge – HP	82100280
-	Filters	7012604
-	Screw driver bit	22009550
-	Maintenance tool kit	82200580
-	Flushing cartridge	7052621



FAULT FINDING

<i>Problem/symptom</i>	<i>Cause</i>	<i>Action/cure</i>
1 Water too hot.	1.1 Not enough cold water flowing through shower.	1.1.1 Turn temperature control anti-clockwise.
	1.2 Increase in the ambient cold water temperature.	1.2.1 Turn temperature control anti-clockwise.
	1.3 Cold water supply blocked.	1.3.1 Turn shower off and consult a competent plumber or contact Triton Customer Service.
	1.4 High volume of cold water being drawn off elsewhere.	1.4.1 Reduce the simultaneous demand from mains supply.
2 Water too cold	2.1 Not enough hot water flowing through shower.	2.1.1 Turn the temperature control clockwise. (Override max. temperature stop if necessary).
	2.2 Decrease in the ambient cold water temperature.	2.2.1 Turn the temperature control clockwise. (Override the maximum temperature stop if necessary).
	2.3 Insufficient hot water supplies from the heating appliance.	2.3.1 Ensure heating appliance is set to maximum hot water output. 2.3.2 Ensure heating appliance is igniting by trying a hot water tap elsewhere.
	2.4 Hot water supply blocked or restricted.	2.4.1 Turn shower off and consult a competent plumber or contact Triton Customer Service.
	2.5 Running pressure in excess of maximum recommended.	2.5.1 Fit a pressure reducing valve.
	2.6 Flow limiter not fitted.	2.6.1 If not fitted, contact Customer Service.
3 Water does not flow or shower pattern collapses when another outlet is turned on.	3.1 Water supplies cut off.	3.1.1 Check water elsewhere in house and if necessary contact local water company.
	3.2 Shower unit blocked.	3.2.1 Inspect the filters. Clean if necessary.
	3.3 Blockage in pipework.	3.3.1 Turn the shower off and consult a suitably competent plumber.
	3.4 Sprayhead blocked.	3.4.1 Clean sprayhead.
	3.5 System not capable of supplying multiple outlets at the same time.	3.5.1 Reduce the simultaneous demand. 3.5.2 Ensure stop or service valve is fully open. 3.5.3 Check if sufficient water pressure.

FAULT FINDING (continued)

<i>Problem/symptom</i>	<i>Cause</i>	<i>Action/cure</i>
4 Shower controls noisy whilst in use.	4.1 Running pressure in excess of maximum recommended.	4.1.1 Fit a pressure reducing valve
5 Shower will not shut off	5.1 Pipework not flushed before connecting the unit ('O' rings damaged).	5.1.1 Renew flow control seals.

Any maintenance or repair to the shower must be carried out by a suitably qualified person.

TRITON STANDARD GUARANTEE

Triton Plc guarantee this product against all mechanical and electrical defects arising from faulty workmanship or materials for a period of three years for domestic use only, from the date of purchase, provided that it has been installed by a competent person in full accordance with the fitting instructions.

Any part found to be defective during this guarantee period we undertake to repair or replace at our option without charge so long as it has been properly maintained and operated in accordance with the operating instructions, and has not been subject to misuse or damage.

This product must not be taken apart, modified or repaired except by a person authorised by Triton Plc. This guarantee applies only to products installed within the United Kingdom and does not apply to products used commercially.

This guarantee does not affect your statutory rights.

What is not covered:

1 Breakdown due to: a) use other than domestic

use; b) wilful act or neglect; c) any malfunction resulting from the incorrect use or quality of electricity, gas or water or incorrect setting of controls; d) faulty installation.

2 Repair costs for damage caused by foreign objects or substances.

3 Call out charges where no fault has been found with the appliance.

4 The cost of repair or replacement of pressure relief devices, sprayheads, hoses, riser rails and/or wall brackets, isolating switches, electrical cable, fuses and/or circuit breakers or any other accessories installed at the same time as these do not form the mechanical and electrical components contained within the unit.

5 The cost of routine maintenance, adjustments, overhaul modifications or loss or damage arising therefrom, including the cost of repairing damage, breakdown, malfunction caused by corrosion, furring, pipe scaling, lime scale, system debris or frost.

Service Policy

In the event of a complaint occurring, the following procedure should be followed:

1 Telephone Customer Service on (024) 7637 2222 (0345 626591 in Scotland and in Northern Ireland), having available the model number and power rating of the product, together with the date of purchase.

2 Triton Customer Service will be able to confirm whether the fault can be rectified by either the provision of a replacement part or a site visit from a qualified Triton service engineer.

3 If a service call is required it will be booked and the date of call confirmed. In order to expedite your request, please have your postcode available when booking a service call.

4 It is essential that you or an appointed representative (who must be a person of 18 years of age or more) is present during the service engineer's visit and receipt of purchase is shown.

5 A charge will be made in the event of an aborted service call by you but not by us, or where a call under the terms of guarantee has been booked and the failure is not product related (i.e. scaling and furring, incorrect water pressure, pressure relief device operation, electrical installation faults).

6 If the product is no longer covered by the guarantee, a charge will be made for the site visit and for any parts supplied.

7 Service charges are based on the account being settled when work is complete, the engineer will then request payment for the invoice. If this is not made to the service engineer or settled within 10 working days, a £10 administration charge will be added.

Replacement Parts Policy

Availability: It is the policy of Triton to maintain availability of parts for the current range of products for supply after the guarantee has expired. Stocks of spare parts will be maintained for the duration of the product's manufacture and for a period of five years thereafter.

In the event of a spare part not being available a substitute part will be supplied.


Payment: The following payment methods can be used to obtain spare parts:

1 By post, pre-payment of pro forma invoice by cheque or money order.

2 By telephone, quoting credit card (MasterCard or Visa) details.

3 By website order, www.tritonshowers.co.uk

Triton Plc, Shepperton Park, Caldwell Road,
Nuneaton, Warwickshire. CV11 4NR

Customer Service
 **(024) 7637 2222**

Scottish and Northern Ireland
Customer Service
 **0345 626591**

Trade Installer Hotline
 **(024) 7632 5491**
Fax: (024) 7632 4564
E mail: reception@triton.plc.uk