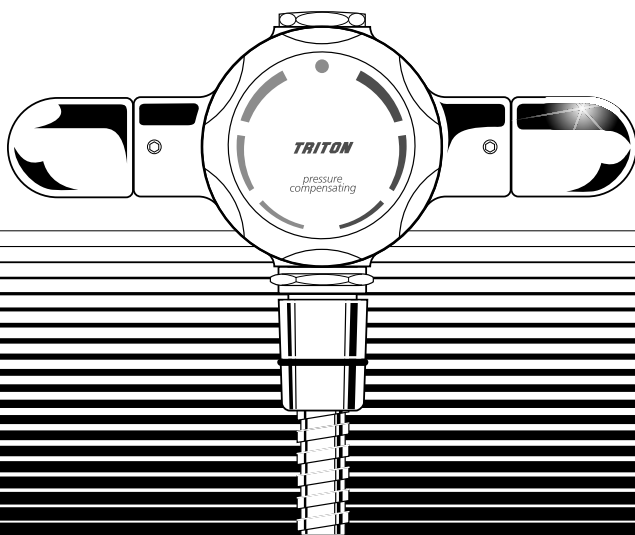


TRITON

*. Aquasensation pressure
compensating manual mixer shower .*



Installation and Operating Instructions

INSTALLERS PLEASE NOTE THESE INSTRUCTIONS ARE TO BE LEFT WITH THE USER



CONTENTS	Page
Introduction	2
Safety warnings	2
Key to main components	3
Site requirements	4
Siting of the shower	5
Fitting the shower to the wall	
<i>surface mounted</i>	
rising and falling supplies	6 - 7
rear entry supplies	8 - 9
Fitting the shower to the wall	
<i>flush-fitted</i>	10
solid wall	11 - 13
hollow wall	14 - 15
cubicle or panel	16- 17
Fitting the bulkhead	18
Fitting the riser rail and sprayhead	19 - 20
Operating the shower	21
Adjusting the sprayhead	22
Cleaning	23
Maintenance	24
Spare parts	25 - 26
Fault finding	27
Guarantee, service policy, etc.	rear cover

INTRODUCTION

This book contains all the necessary fitting and operating instructions for your Triton pressure compensating manual mixer shower. Please read them carefully.

This type of mixer shower, once set at your desired temperature, will sense any pressure changes in either hot or cold supply and adjust the mix automatically to maintain the set temperature.

NOTE: The valve is not thermostatic and will not prevent water flowing from the sprayhead should there be a loss of only one supply to the valve.

The valve is suitable for fully modulating type combination boilers and multi-point hot water heaters. Also suitable for thermal storage, unvented systems and pumped gravity systems.

Designed to operate on higher pressure systems found in the U.K. up to a maximum of 5 bar running pressure. The valve MUST NOT be subjected to water temperatures in excess of 80°C.

Please read through the whole of this book before beginning your installation.

The installation must be carried out by a suitably competent person and in sequence of this instruction book.

Care taken during the installation will ensure a long and trouble free life from your mixer shower.

Replacement parts can be ordered from Triton Customer Service. See 'spare parts' for details and part numbers.

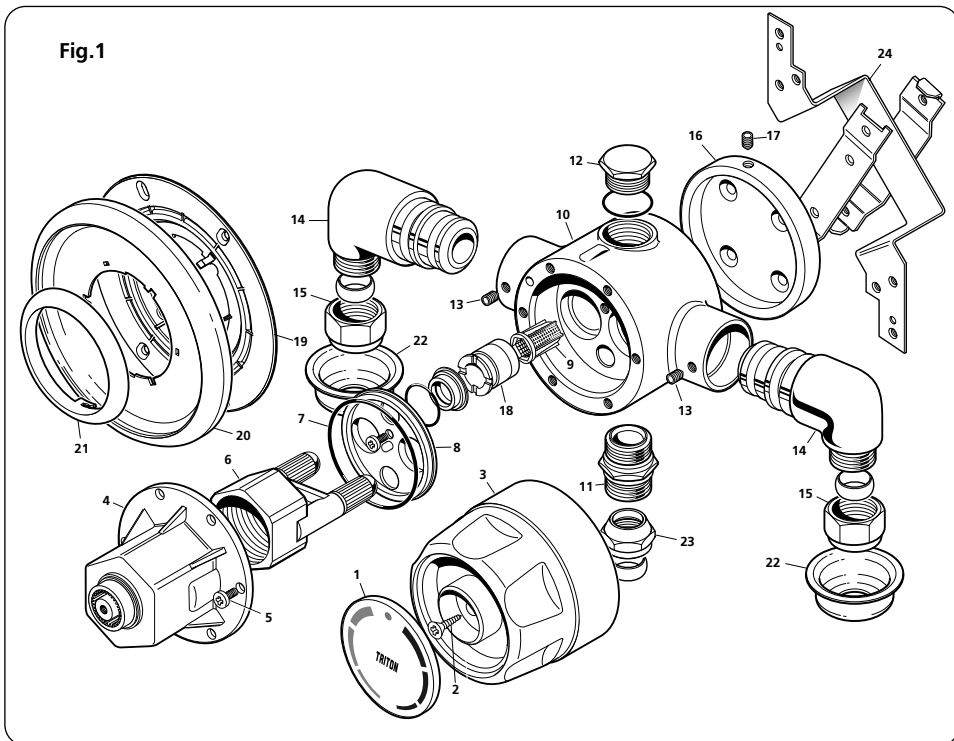
SAFETY WARNINGS

- 1** Layout and sizing of pipework must be such that when other services are used, pressures at the shower control inlets **do not** fall below the recommended minimum.
- 2** DO NOT choose a position where the shower could become frozen.
- 3** The outlet of this appliance must not be connected to any form of tap or fitting not recommended by the manufacturer.
- 4** The sprayhead must be cleaned regularly to remove scale/ debris.
- 5** Conveniently situated isolating valves must be fitted as an independent method of isolating the shower should maintenance or servicing be necessary.
- 6** If it is intended to operate the shower in areas of hard water it is advisable to fit a scale inhibitor (see NOTE below).
- 7** If it is intended to operate the shower outside the guidelines laid out in the site requirements then see NOTE below.

NOTE: In the event of items 2, 6 and 7, contact Triton Customer Service for advice. Tel: 01203 372222.

KEY TO MAIN COMPONENTS

Fig.1



- | | |
|---|--|
| 1 Knob trim | 14 Inlet elbows |
| 2 Knob screw | 15 Inlet nuts and olives |
| 3 Knob | 16 Plinth (surface mounting only) |
| 4 Valve top | 17 Plinth locking grub screw |
| 5 Fixing screws | 18 Seal cartridge |
| 6 Core assembly | 19 Flush mount plate |
| 7 'O' ring | 20 Flush mount cover |
| 8 Plate | 21 Trim ring |
| 9 Filter | 22 Pipe trims (rear entry only) |
| 10 Valve body | 23 Outlet nut and olive |
| 11 Outlet adaptor
(spray hose or fixed head riser pipe) | 24 Mounting bracket and strap
(for flush fitting only) |
| 12 Blanking plug | |
| 13 Elbow grub screw | |

SITE REQUIREMENTS

The installation must be in accordance with local Water Company Byelaws.

Minimum running water pressure: 1 bar.

Maximum running water pressure: 5 bar.

Maximum static water pressure: 10 bar.

For optimum performance within the specified pressure range both hot and cold water supplies must be fed from a **common supply** and a minimum flow of 8 litres per minute should be available to both inlets.

Whilst the mixer valve is operational (open outlet), inlet pressures must not be capable of exceeding 7 bar. For effective operation of internal seals, the maximum static pressure must not be exceeded.

NOTE: On sites where the running pressure is above 5 bar, the use of a suitably sized pressure reducing valve fitted in the cold mains supply pipework can provide nominally equal pressures at the mixer valve. This should be installed as indicated on the appropriate diagrams illustrated on these pages, and set to within the specification of the valve.

The valve is designed to maintain a stable temperature under varying inlet pressures, providing the inlet temperature remains constant.

NOTE: The valve is not thermostatic and will not prevent water flowing from the sprayhead should there be a loss of only one supply to the valve.

The pipework should be installed such that the flow is not significantly affected by other taps and appliances being operated elsewhere on the premises.

NOTE: Where thermal store/combi boilers or multi-point heaters are used, if excessive draw offs take place the boiler may not be able to maintain an adequate output temperature. This could result in the shower

Fig.2 (diagrammatic view - not to scale)

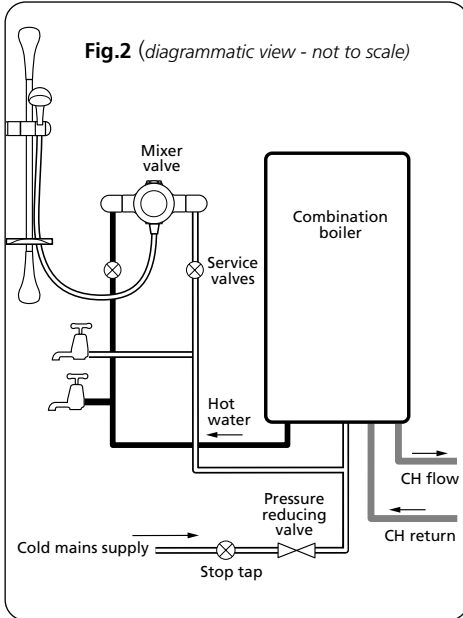
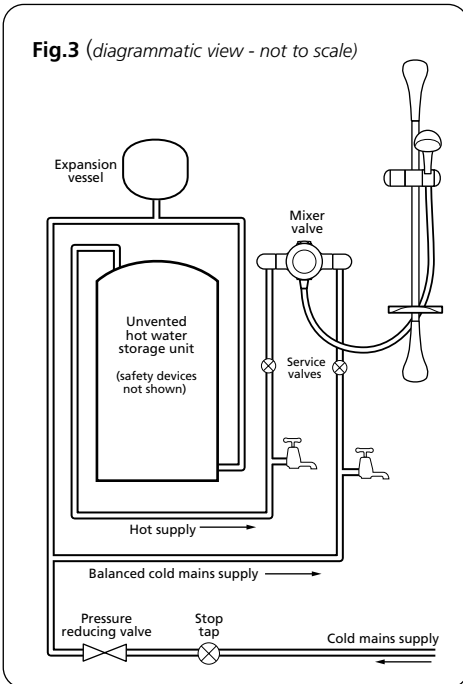


Fig.3 (diagrammatic view - not to scale)



temperature becoming noticeably cooler.
DO NOT use jointing compounds on pipework.

Fig.2 shows a typical combination boiler installation.

Fig.3 depicts an unvented mains pressurised hot water storage system.

Fig.4 illustrates a thermal storage hot water installation.

Fig.5 shows a pump assisted gravity fed installation.

PREPARING THE MIXER VALVE

Before commencing the installation, make sure all the apertures on the valve are carefully covered to prevent ingress of any debris etc.

NOTE: It is not necessary to remove the control knob at any stage.

SITING OF THE SHOWER

WARNING: THE SHOWER MUST NOT BE POSITIONED WHERE IT WILL BE SUBJECT TO FREEZING CONDITIONS.

Position the shower valve and sprayhead on the wall so that all controls can be comfortably reached whilst using the shower. The sprayhead and riser rail can be positioned either side of the shower valve.

NOTE: Pipe entry can be from the top, bottom or rear.

Important: The hot entry port is on the left hand side of the valve when viewed from the front with the outlet adaptor on the underside.

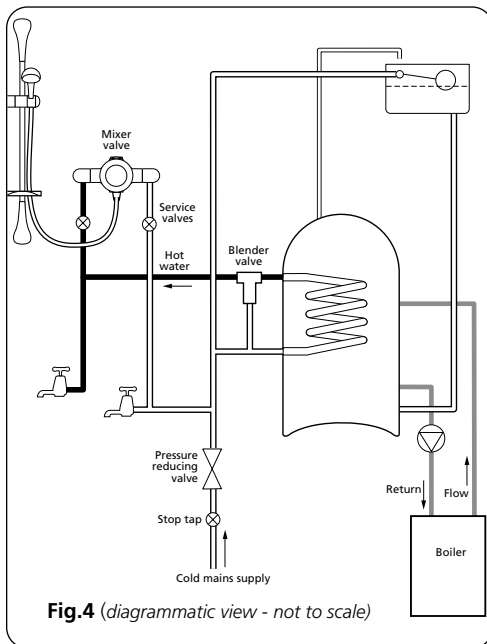


Fig.4 (diagrammatic view - not to scale)

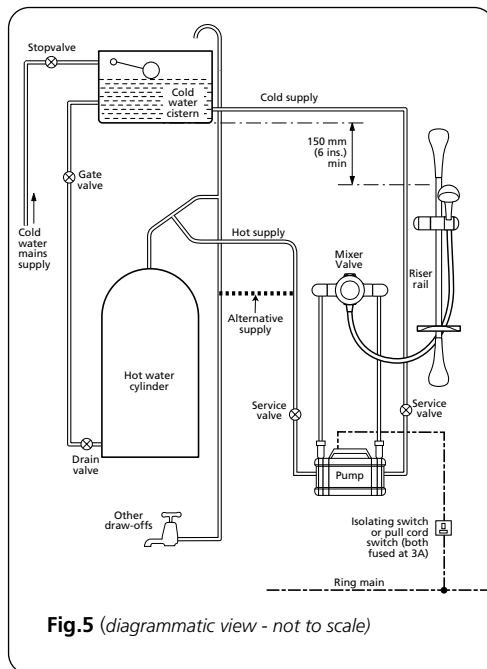
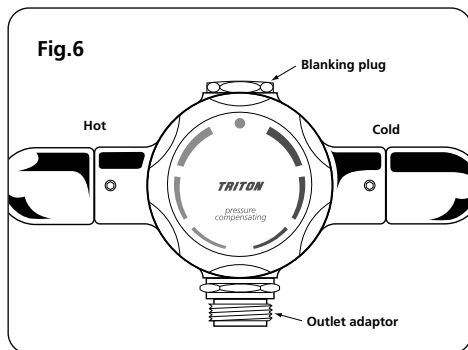


Fig.5 (diagrammatic view - not to scale)



FITTING THE SHOWER TO THE WALL

SURFACE MOUNTED (RISING AND FALLING SUPPLIES)

NOTE: The outlet of the shower must not be connected to any tap or fitting not recommended by Triton Plc.

DO NOT use jointing compounds on any pipe fittings for the installation.

DO NOT solder fittings within the vicinity of the shower unit, as heat transfer can damage components.

NOTE: Suitable isolating valves (complying with Water Byelaws) MUST be fitted on the hot and cold water supplies to the shower as an independent means of isolating the water supplies should maintenance or servicing be necessary.

Important: The water circuit should be installed such that the flow is not significantly affected by other taps and appliances being operated elsewhere on the premises. Water pressure must not fall below specification of the shower.

The hot water pipe entry must be on the left of the unit.

Decide the location of the shower and direction of pipe entry. The inlet elbows are NOT adjustable and pipe centres are fixed at 153 mm. It is therefore advised to mount the valve unit in position first, then pipe to it.

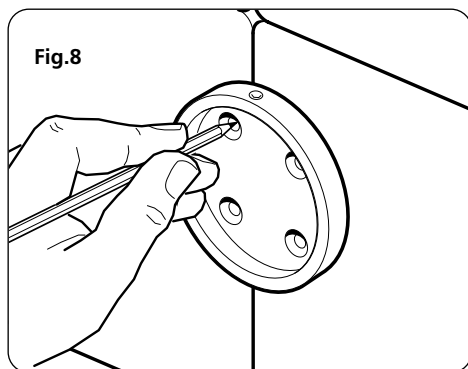
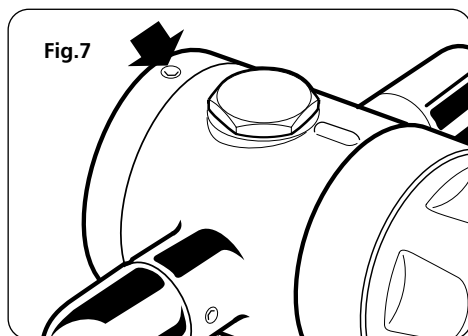
NOTE: The valve must be mounted so that the outlet adaptor is at the bottom (fig.6), this ensures the hot water inlet is on the left hand side.

Remove the mounting plinth from valve by unscrewing the grub screw (fig.7).

Place the mounting plinth on the wall and mark all fixing holes (fig.8).

Remove the mounting plinth. Drill and plug the holes using the wall plugs provided.

Screw mounting plinth to the wall with the four screws supplied (fig.9). NOTE: Ensure



the plinth is positioned so the grub screw is located at the top.

Offer the valve to the mounting plinth and lock in position with the grub screw (fig.10). Ensure the outlet adaptor is at the bottom.

Complete the final pipework to the valve **ensuring that the hot inlet pipework is connected to the left side of the valve.**

Do not tighten the inlet nuts and elbow grub screws at this stage.

Ensure all pipework in the shower area is complete and clip the pipework to the wall surface.

It is now advisable to remove the valve off the mounting plinth and lift unit off the pipework so that the pipework can be flushed through. Attach a hose to pipework and direct to waste. Open isolating valves.

FLUSH THE PIPEWORK TO CLEAR THE SYSTEM OF ALL DEBRIS AND CHECK FOR LEAKS.

Failure to flush out may result in the internal filters becoming blocked. These are serviceable by removing the internal seal cartridges.

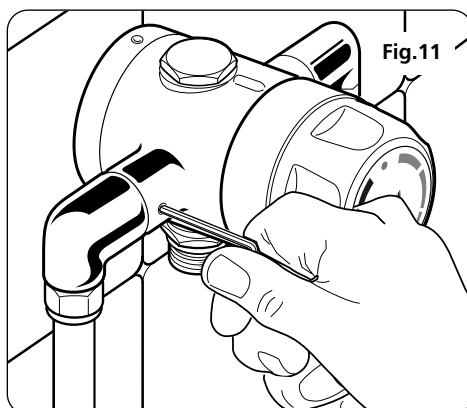
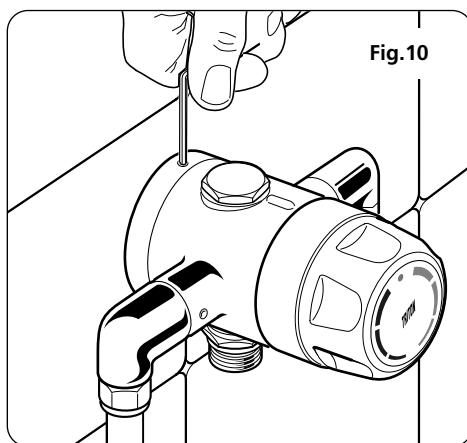
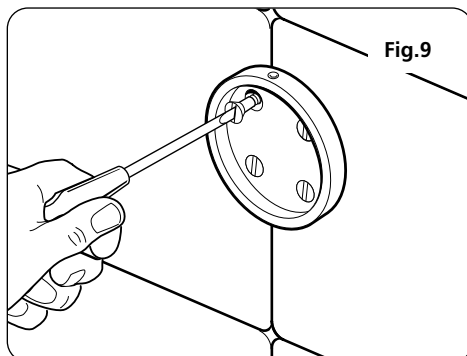
Close isolating valves. Re-mount valve to mounting plinth and pipework ensuring the outlet adaptor is at the bottom and lock in position with the grub screw.

Tighten the inlet nuts and elbow grub screws (fig.11).

Connect the shower hose to the outlet adaptor and direct to waste.

Open the isolating valves to the shower and flush through. Rotate the temperature control to 'cold' and then to 'hot'.

Check installation for water tightness.



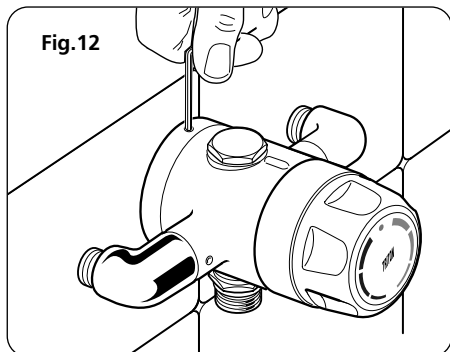


Fig.12

FITTING THE SHOWER TO THE WALL

SURFACE MOUNTED (REAR ENTRY SUPPLIES)

NOTE: The outlet of the shower must not be connected to any tap or fitting not recommended by Triton Plc.

DO NOT use jointing compounds on any pipe fittings for the installation.

DO NOT solder fittings within the vicinity of the shower unit, as heat transfer can damage components.

NOTE: Suitable isolating valves (complying with Water Byelaws) MUST be fitted on the hot and cold water supplies to the shower as an independent means of isolating the water supplies should maintenance or servicing be necessary. **Important:** The water circuit should be installed such that the flow is not significantly affected by other taps and appliances being operated elsewhere on the premises. Water pressure must not fall below specification of the shower.

The hot water pipe entry must be on the left of the unit.

Decide the location of the valve on the wall. The inlet elbows are NOT adjustable and pipe centres are fixed at 153 mm. It is therefore advised to mount the valve unit in position first, then pipe to it.

NOTE: The valve must be mounted so that the outlet adaptor is at the bottom (fig.6) this ensures the hot water inlet is on the left hand side. Remove the mounting plinth from valve by unscrewing grub screw (fig.7).

Place the mounting plinth on the wall and mark all fixing holes (fig.8). Remove the mounting plinth. Drill and plug the holes using the wall plugs provided or if fitting into a hollow wall structure use suitable cavity wall fixings. Screw mounting plinth to the wall with the four screws supplied (fig.9). NOTE: Ensure the plinth is positioned so the grub screw is located at the top. Offer the valve to the mounting plinth and lock in position with the

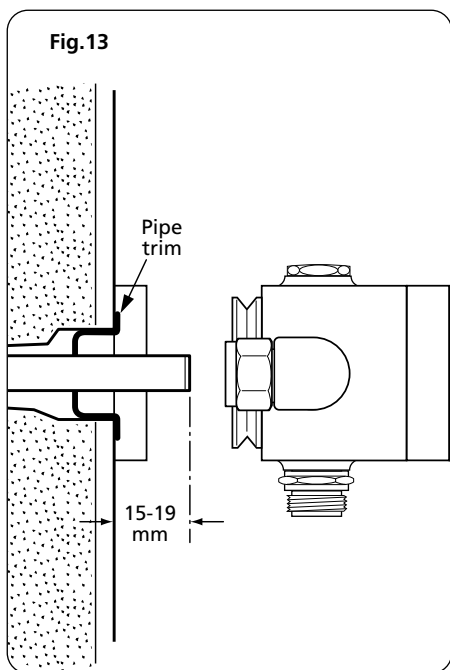


Fig.13

grub screw (fig.12). Ensure the outlet adaptor is at the bottom. Mark the position of incoming hot and cold water supply pipes at a distance of 153mm centres. It is now advisable to remove the valve from the mounting plinth so that the pipework can be installed. Remove the plaster and brickwork to the required depth to conceal the supply pipework.

NOTE: It is advisable that pipework installed in solid walls be provided with sufficient free play inside a cavity to enable entry into the inlet elbows for tightening, prior to fixing the valve to the finished wall surface

Install the hot and cold pipework (**the hot pipe must enter from the left**) ensuring that the finished pipework projects from the front face of the tiled surface of the wall by 15mm to 19mm (fig.13). Allow for two circular recesses measuring 32mm diameter by 14mm depth, to accept the rear entry pipe trims (fig.14).

FLUSH PIPEWORK TO CLEAR SYSTEM OF DEBRIS AND CHECK FOR LEAKS.

Failure to flush out may result in the internal filters becoming blocked. These are serviceable by removing the internal seal cartridges.

Make good the wall and complete the tiling ensuring that the rear entry pipe trims (fig.13) are sealed in with either silicon sealant or grouting. **NOTE:** Failure to fit the rear entry pipe trims could result in ingress of water into the wall cavity. Re-mount valve to mounting plinth and pipework ensuring the outlet adaptor is at the bottom and ensuring the inlet elbow grub screws are slack allowing the inlet elbows to be rotated to the correct orientation. Lock in position with the grub screw. Tighten the inlet nuts and elbow grub screws (fig.15). Connect the shower hose to the outlet adaptor and direct to waste. Open the isolating valves to the shower and flush through. Rotate the temperature control to 'cold' and then to 'hot'. Check installation for water tightness.

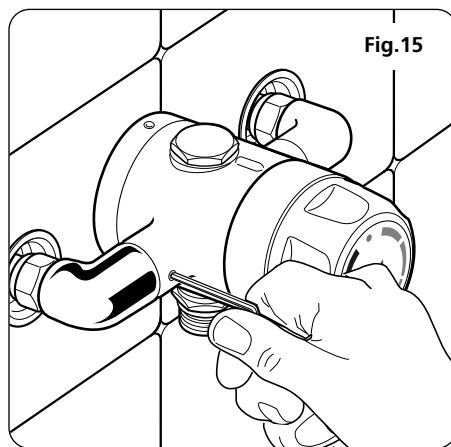
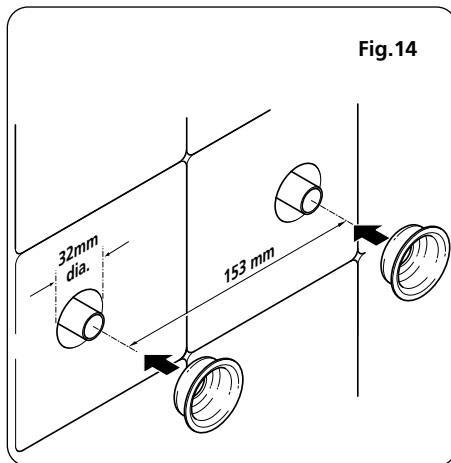
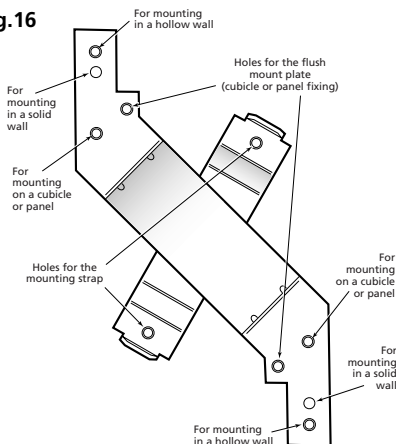


Fig.16



FITTING THE SHOWER TO THE WALL

FLUSH-FITTED

NOTE: The outlet of the shower must not be connected to any tap or fitting not recommended by Triton Plc.

DO NOT use jointing compounds on any pipe fittings for the installation.

DO NOT solder fittings within the vicinity of the shower unit, as heat transfer can damage components.

NOTE: Suitable isolating valves (complying with Water Byelaws) **must** be fitted on the hot and cold water supplies to the shower as an independent means of isolating the water supplies should maintenance or servicing be necessary.

When connecting pipework avoid using tight 90° elbows. Swept or formed bends will ensure optimum performance.

Important: The water circuit should be installed such that the flow is not significantly affected by other taps and appliances being operated elsewhere on the premises. Water pressure must not fall below specification of the shower valve.

The hot water pipe entry must be on the left of the valve.

This pressure compensating mixer valve includes a mounting bracket (fig.16) and a mounting strap which allows the shower valve to be fixed into a solid wall, a stud partition wall or other hollow wall structures. The brackets can also be used for fitting in a shower cubicle, providing the back of the cubicle is accessible.

When installing into a stud partition or other hollow wall structure the installer may wish to consider fabricating rear supports or other options. Such options are beyond the scope of this guide.

Fig.17

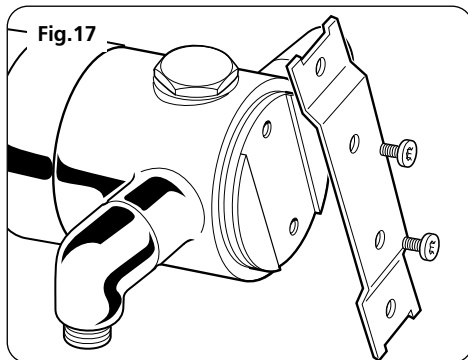
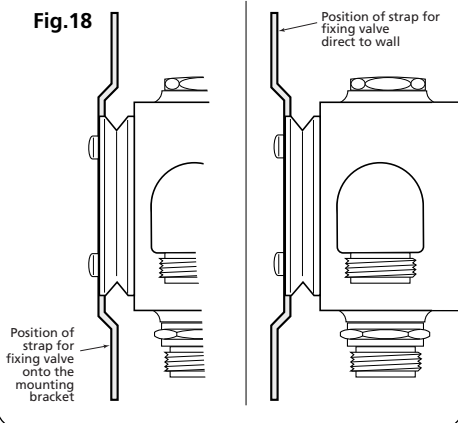


Fig.18



FLUSH-FITTING TO A SOLID WALL

The building depth for the shower into a solid wall is between 68 and 78 mm. The building in depth calculation must include the thickness of plaster and tiles. This dimension determines how much of the shower control is visible through the concealing plate when the installation is completed.

Decide on the shower position and determine whether the hot and cold water supplies will enter the shower from the top (falling) or bottom (rising) or rear.

Mark the route of the incoming and outgoing pipework.

The inlet elbows are NOT adjustable and the pipe centres are fixed at 153 mm. It is therefore advised to mount the valve unit in position first, then pipe to it.

Fit the valve body to the mounting strap ensuring the strap sits in the recess and secure with the two screws supplied (fig.17).
NOTE: The strap can be fitted in two ways (fig. 18) depending if the mounting bracket is used or not, i.e. the mounting strap can be secured directly to the wall if required with the screws supplied, or it can be fitted to the mounting bracket which in turn is secured to the wall.

Remove the plaster and brickwork to the depth shown (fig. 19) and chase out any additional areas of wall to facilitate pipework to and from the valve.

Offer the mounting bracket up to the wall and mark the two outer plain fixing holes (fig.20). Drill and plug, then screw the bracket to the wall.

Where a bulkhead outlet is to be used then the outlet adaptor and 'O' ring needs to be fitted into the bottom outlet in the valve housing. Ensure the adaptor is fitted with the HOSE END in the valve housing (fig.21). Fit the blanking plug and 'O' ring into the

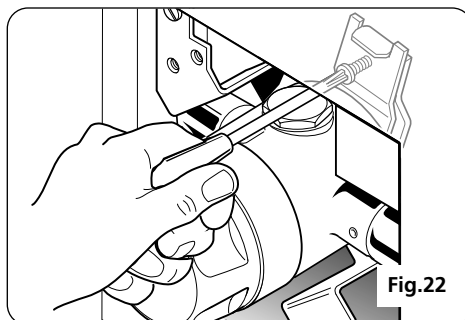
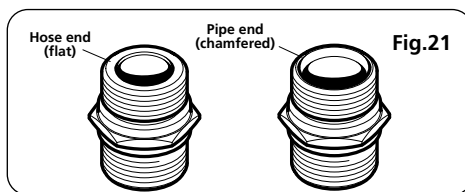
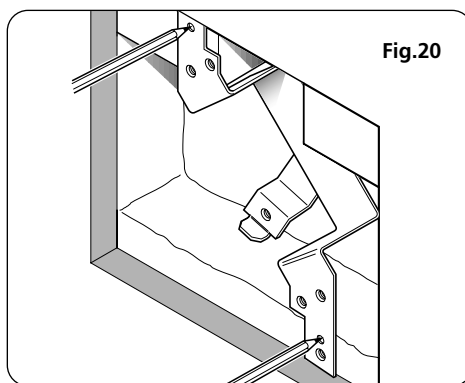
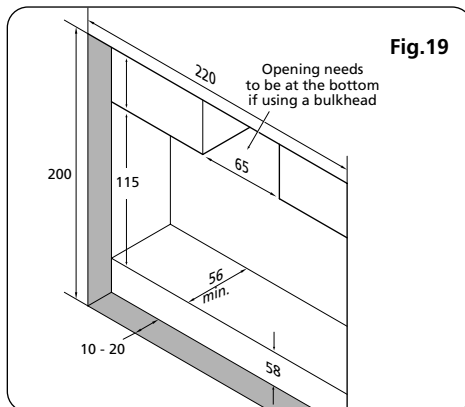


Fig.23

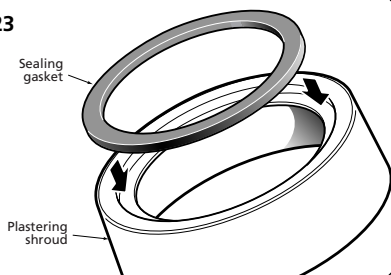


Fig.24

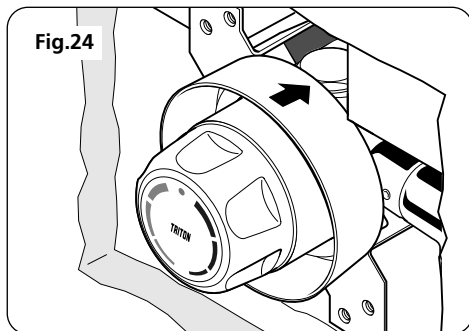


Fig.25

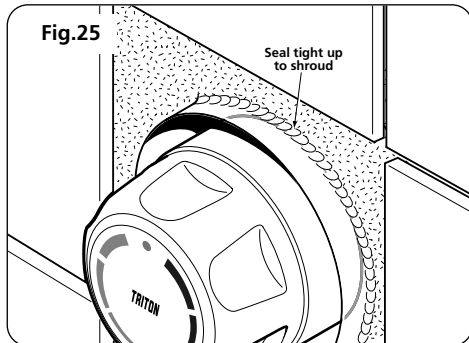
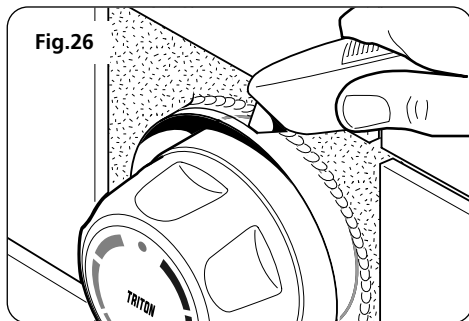


Fig.26



top outlet.

Ensure the inlet elbows are orientated the correct way. Offer the valve up to the mounting bracket (fig.22) or wall surface, and secure the mounting strap using the two screws provided.

Complete the pipework to the shower marking off the length to enter the elbows. Remove the valve and cut the pipes to length.

FLUSH THE PIPEWORK TO CLEAR SYSTEM OF ALL DEBRIS AND CHECK FOR LEAKS.

Refit the valve to the mounting bracket or wall surface and pipework. Tighten the inlet nuts and inlet elbow grub screws.

When fitting a riser rail kit, refer to 'Fitting the bulkhead' and complete the outlet pipework.

Before fitting the bulkhead to the wall connect the shower hose and direct it to waste.

Open the isolating valves to the shower and flush through ensuring that the flow control is opened fully and the temperature control is rotated to HOT and then to COLD.

Check for leaks and remedy if necessary.

Fit the supplied sealing gasket to the recess on the outside of the supplied plastering shroud (fig.23). The sealing gasket is self adhesive for this purpose.

Slide the plastering shroud over the valve (fig.24) until it butts against the mounting bracket.

Make good the wall surface and ensure the plastering and sealing is taken tight to the shroud (fig.25). Should the shroud protrude beyond the wall surface it only requires trimming flush with a sharp knife (fig.26).

Offer the flush mount plate up to the finished tile surface and ensuring that the valve and the plate are aligned, mark the 'arrowed' fixing holes (fig.27). Remove the

flush mount plate and then drill and plug the holes.

Break off the three alignment tabs on the flush mount plate (fig.28). Place a ring of silicon sealant round the plate so that the plate seals against the wall. Fix the plate to the wall using the screws provided. Wipe off any excess sealant.

Fit the flush mount cover (fig.29). Locate the lugs on the trim ring in the holes on the cover (fig.30) and twist clockwise.

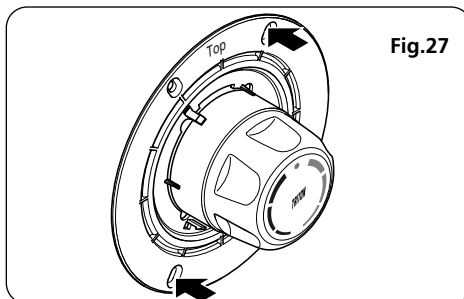


Fig.27

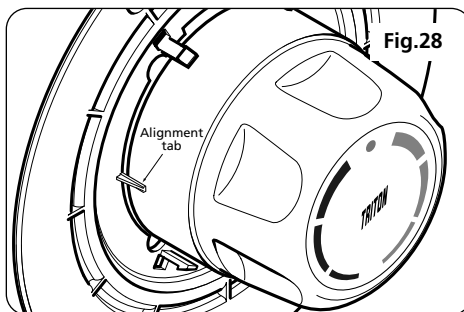


Fig.28

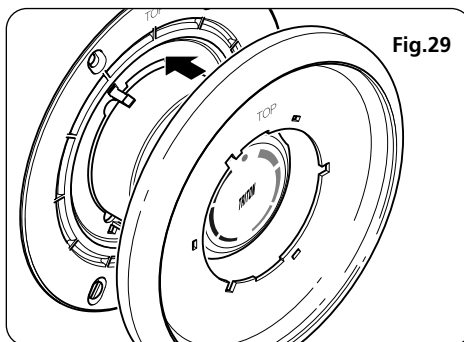


Fig.29

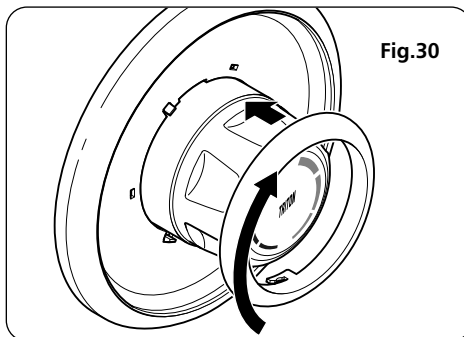


Fig.30

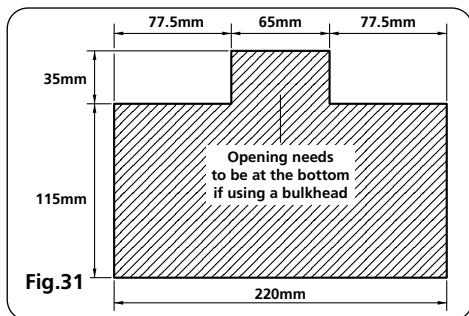


Fig.31

FLUSH-FITTING TO A HOLLOW WALL

The wall mounting bracket supplied with the shower is suitable for use on a plasterboard wall of $\frac{3}{8}$ or $\frac{1}{2}$ inch in thickness.

Decide on the shower position and determine whether the hot and cold water supplies will enter the shower from the top (falling) or bottom (rising) or rear.

Mark an opening as shown (fig.31) plus the route of inlet and outlet pipework.

The inlet elbows are NOT adjustable and pipe centres are fixed at 153 mm. It is therefore advised to mount the valve unit in position first, then pipe to it.

Take out the plasterboard and offer the mounting bracket up to the wall (fig.32). Mark the position of the outer tapped fixing holes and drill. Insert the wall bracket into wall cavity and fix using the bolts and washers provided (fig.33).

Where a bulkhead outlet is to be used then the outlet adaptor and 'O' ring needs to be fitted into the bottom outlet in the valve housing. Ensure the adaptor is fitted with the HOSE END in the valve housing (fig.34). Fit the blanking plug and 'O' ring into the top outlet.

Fit the valve body to the mounting strap ensuring the strap sits in the recess and secure with the two screws supplied (fig.17). Ensure the inlet elbows are oriented the correct way. Offer the valve up to the mounting bracket and secure using the screws provided (fig.35).

Complete the pipework to the shower marking off the length to enter the elbows. Remove the valve and cut pipes to length.

FLUSH PIPEWORK TO CLEAR SYSTEM OF ALL DEBRIS AND CHECK FOR LEAKS.

Re-fit the valve to the mounting bracket and pipework. Tighten the inlet nuts and inlet elbow grub screws.

When fitting a riser rail kit refer to 'Fitting

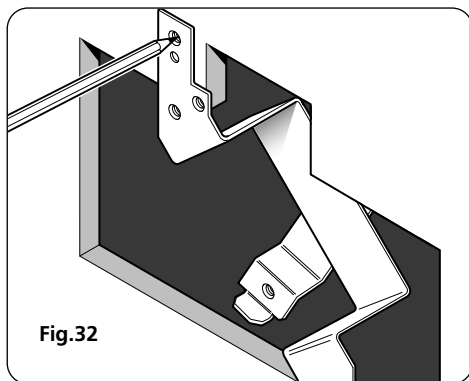


Fig.32

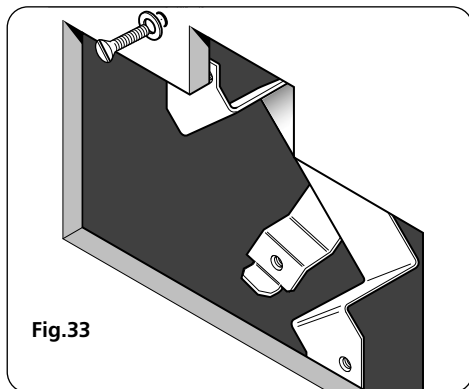


Fig.33

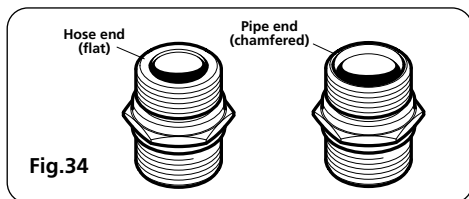


Fig.34

the bulkhead' and complete the outlet pipework. Before fitting the bulkhead to the wall connect the shower hose and direct it to waste.

Open the isolating valves to the shower and flush through ensuring that the flow control is opened fully and the temperature control is rotated to HOT and then to COLD.

Check for leaks and remedy if necessary.

Fit the supplied sealing gasket to the recess on the outside of the supplied plastering shroud (fig.23). The sealing gasket is self adhesive for this purpose.

Slide the plastering shroud over the valve (fig.36) until it butts against the mounting bracket.

Make good the wall surface and ensure the plastering/sealing is taken tight to the pvc shroud (fig.37). Should the shroud protrude beyond the wall surface, trim flush with a sharp knife (fig.38).

Offer the flush mount plate up to the finished surface and ensuring that the valve and the plate are aligned, mark the 'arrowed' fixing holes (fig.27). Remove the flush mount plate then drill and plug the holes.

Break off the alignment tabs on the flush mount plate (fig.28). Place a ring of silicon sealant round the plate so that the plate seals against the wall. Fix the plate to the wall using the screws provided. Wipe off excess sealant.

Fit the flush mount cover (fig.29). Locate the lugs on the trim ring in the holes on the plate (fig.30) and twist clockwise.

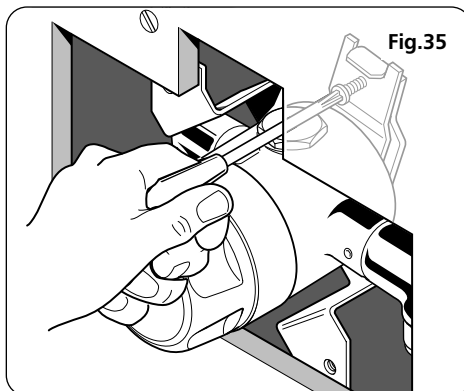


Fig.35

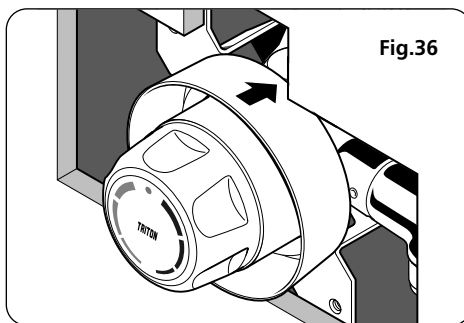


Fig.36

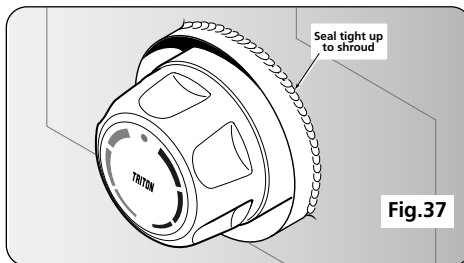


Fig.37

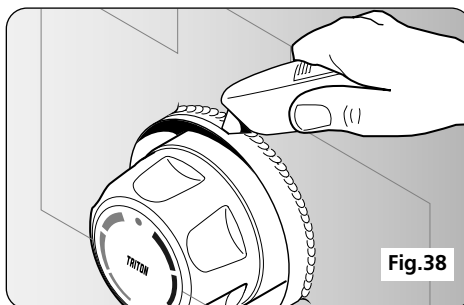
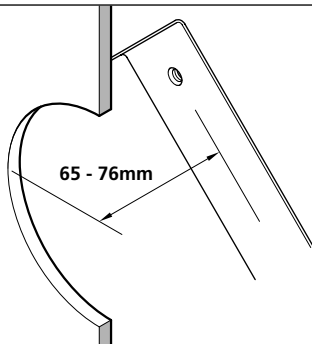


Fig.38

Fig.39



FLUSH-FITTING TO A SHOWER CUBICLE OR PANEL

To use the wall mounting bracket supplied with a shower cubicle or a laminated panel, wooden blocks are required to increase the depth of the bracket. These blocks need to increase the depth of the bracket to between 65 and 76 mm from the finished surface (fig.39).

Decide on the shower position and determine whether the hot and cold water supplies will enter the shower from the top (falling) or bottom (rising) or rear.

Mark the panel for an opening of approximately 105 mm diameter (fig.40).

Cut the opening.

Fit the valve body to the mounting strap ensuring the strap sits in the recess and secure with the two screws supplied (fig.17). Ensure the inlet elbows are orientated the correct way. Offer the valve up to the mounting bracket and secure, via the strap, using the screws provided.

Offer the valve and bracket up to the back of the panel (fig.41). Mark both plate and bracket fixing holes. Remove the bracket and valve and drill the panel and wooden support blocks.

Where a bulkhead outlet is to be used the outlet adaptor and 'O' ring needs to be fitted into the bottom outlet in the valve housing. Ensure the adaptor is fitted with the HOSE END in the valve housing (fig.42). Fit the blanking plug and 'O' ring into the top outlet.

Fix the mounting bracket together with the valve to the panel using two bolts in the fixing holes shown (fig.43).

Complete the pipework to the shower marking off the length to enter the elbows. Remove the valve and mounting bracket and cut the pipes to length.

FLUSH THE PIPEWORK TO CLEAR SYSTEM OF DEBRIS AND CHECK FOR LEAKS.

Re-fit the valve and mounting bracket and connect the pipework. Tighten the inlet nuts

Fig.40

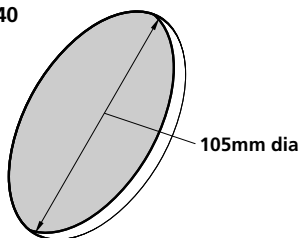


Fig.41

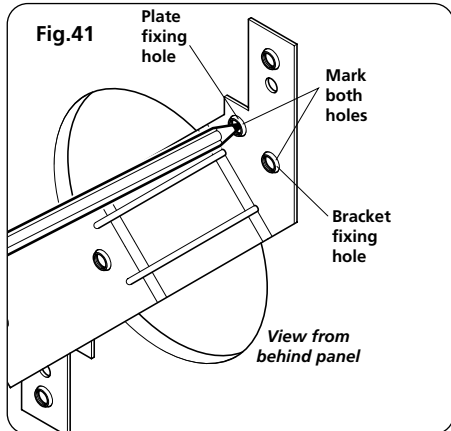
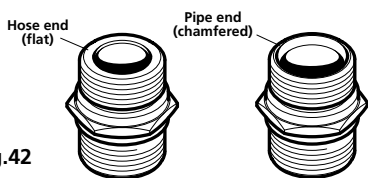


Fig.42



and inlet elbow grub screws.

When fitting a riser rail kit, refer to *'Fitting the bulkhead'* and complete the outlet pipework. Before fitting the bulkhead to the wall connect the shower hose and direct it to waste.

Open the isolating valves to the shower and flush through ensuring that the flow control is opened fully and the temperature control is rotated to HOT and then to COLD.

Check for any leaks and remedy if necessary. Fit the supplied sealing gasket to the recess on the outside of the supplied plastering shroud (fig.23). The sealing gasket is self adhesive for this purpose.

Slide the plastering shroud over the valve (fig.44) until it butts against the mounting bracket.

Make good the wall surface and ensure to seal tight around the shroud.

Should the shroud protrude beyond the panel surface, trim flush with a sharp knife (fig.45).

Place a ring of silicon sealant round the flush mount plate so that the plate seals against the wall.

Offer the flush mount plate up to the finished surface and ensuring that the valve and the plate are aligned, secure using the two bolts provided in the fixing holes (fig.46).

Break off the alignment tabs on the flush mount plate (fig.28) and fit the flush mount cover (fig.29). Locate the lugs on the trim ring in the holes on the plate (fig.30) and twist clockwise.

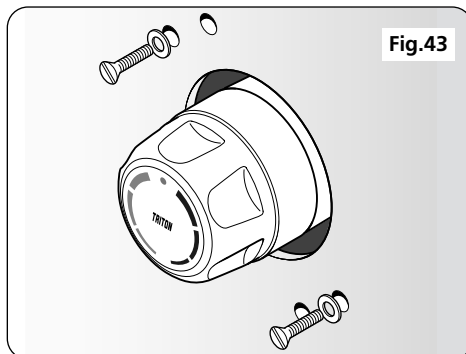


Fig.43

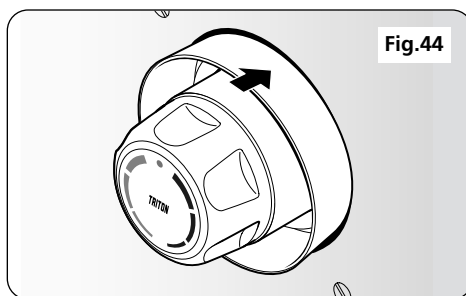


Fig.44

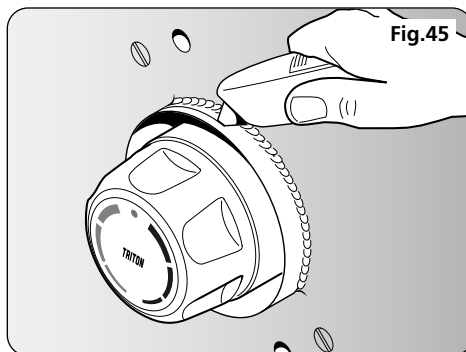


Fig.45

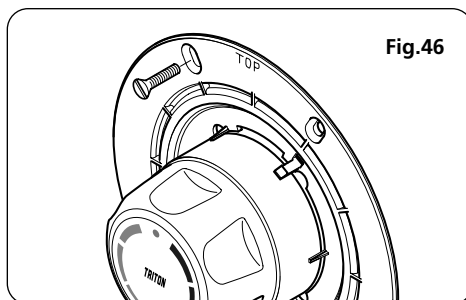
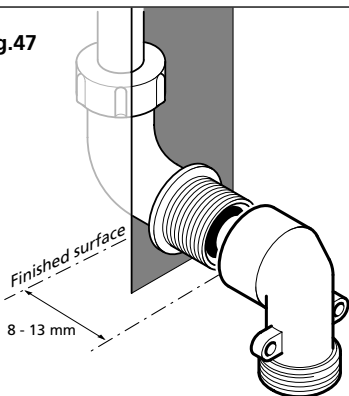


Fig.46

Fig.47



FITTING THE BULKHEAD

Complete the outlet pipework ending in a ½" x 15mm male thread to compression elbow or straight connector with suitable thread length (fig.47).

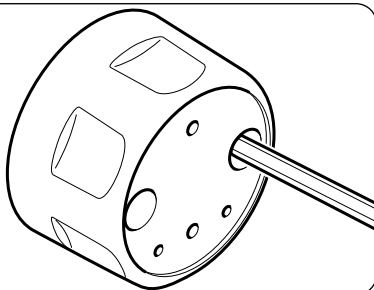
NOTE: This fitting is not supplied as variations in installations necessitates selection of the most appropriate fitting.

Make good the wall.

Screw the bulkhead elbow to the outlet using PTFE tape to seal the thread.

Slide the bulkhead over the elbow, offer up to the wall and mark the two fixing holes (fig.48) for securing the bulkhead to the wall.

Fig.48



Remove the bulkhead then drill and plug the holes using the plugs supplied.

Refit the bulkhead and secure to the elbow using two screws (fig.49).

Secure the bulkhead to the wall using the two fixing screws supplied. Push on the trim disc ensuring the two location lugs locate in the small holes as shown (fig.50).

Fig.49

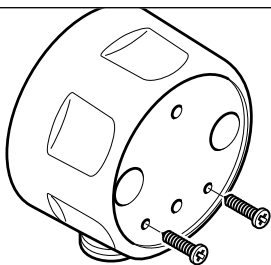
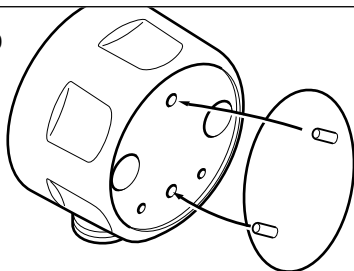


Fig.50



WARNING: Check there are no hidden cables or pipes before drilling holes for wall plugs. Use great care when using power tools near water. The use of a residual current device (RCD) is strongly recommended.

FITTING THE RISER RAIL

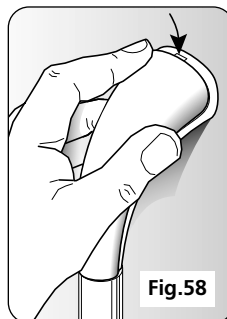
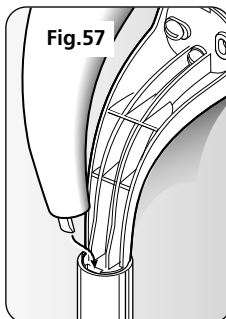
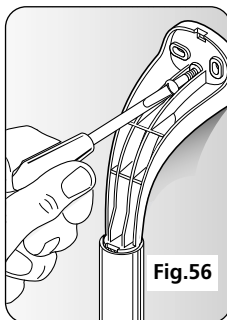
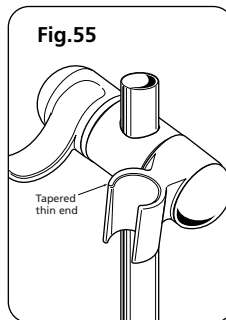
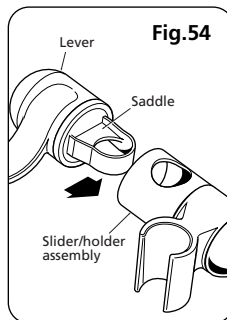
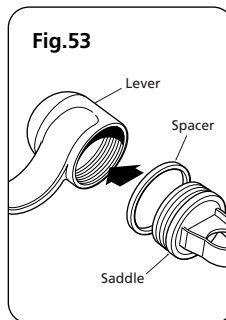
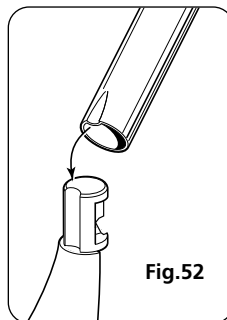
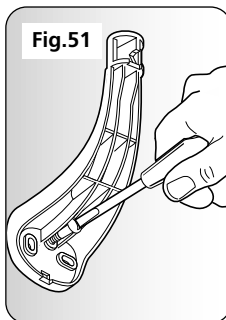
Decide the position for the rail on the wall within the shower area. Proceed as follows:

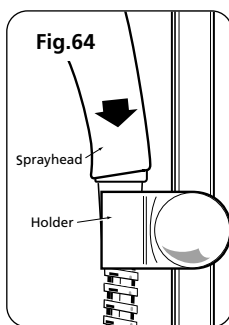
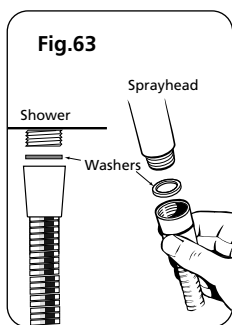
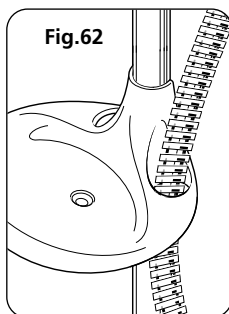
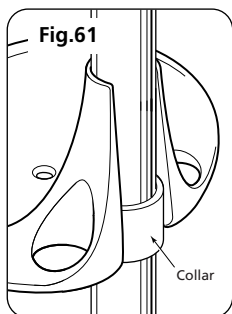
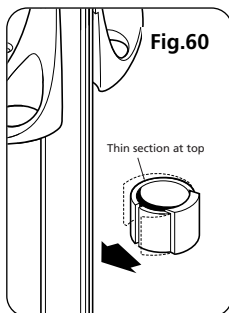
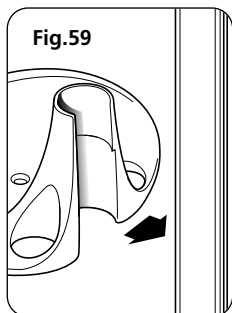
A Offer one of the two brackets to the wall for the lower position only. Note there are three holes in the brackets but two screws will usually be sufficient. However, the centre hole must be used so mark this and either of the other two. Drill and plug the wall. Replace the bracket to the wall and secure to the wall with the screws supplied (fig.51). Locate the rail onto this lower bracket ensuring the rail engages fully on the bracket. Ensure the indent in the riser rail engages into the cut-out on the bracket end (fig.52).

B Locate the second bracket on top of the rail. Again mark the centre hole plus one of the other two holes. Ensure the rail is vertical. Remove the bracket and rail. Drill and plug the wall.

C With the saddle, spacer and lever parts to hand, screw the saddle 2 or 3 turns into the lever (fig.53). Place the saddle and lever into the slider/holder assembly (fig.54) so that the holes align, then slide onto the rail (fig.55). Tighten to the rail by turning the lever. When tight, the lever should be facing forwards and not pointing to the wall. If not, slacken off and remove from the rail. Rotate the saddle and lever 180° within the slider/holder assembly then replace onto the rail and tighten. Ensure the tapered thin end of the spray head holder is in the uppermost position.

D Place the rail onto the installed lower bracket. Replace the upper bracket onto the





rail and secure the bracket to the wall with the screws supplied (fig.56).

E Place a trim cover onto each bracket ensuring the large protrusion at the narrow end of the trim cover, engages into the slot between the rail and bracket (fig.57) before pushing and clicking the other end into place (fig.58). Should the need arise, the trim covers can be removed by inserting a screwdriver into the slot and carefully levering off the trim.

F Snap the soap dish onto the rail (fig.59) below the holder assembly. Prise open the soap dish collar and fit onto the rail (fig.60) below the dish. Note the collar is slightly tapered and should be fitted 'thinner section' uppermost. Ensure it locates firmly in the soap dish (fig.61) so that it holds the dish at the required height on the rail.

FITTING THE HOSE AND SPRAYHEAD

Feed the flexible hose through the appropriate soap dish aperture (fig.62) in order that the dish acts as a retaining ring (Water Supply Byelaw 17).

Screw the flexible hose to the shower outlet and sprayhead (fig.63) ensuring the supplied washers are in place at both ends of the flexible hose.

Place the sprayhead into the holder (fig.64) and check that it fits correctly. **NOTE:** The holder is slightly tapered and the sprayhead and hose will only fit from one direction.

Important: It is the conical end of the hose which grips into the holder. The sprayhead will not fit in the holder without the hose attached.

OPERATING THE SHOWER

Ensure all plumbing supplies are connected and turned on.

Procedure

To start the shower, rotate the single control knob anti-clockwise (fig.65).

To adjust the temperature, rotate the knob progressively either way as indicated by the red and blue symbols. Rotate fully anti-clockwise for hottest water.

Once at the preferred temperature, no further adjustment is required as the valve will sense any change in pressure to either hot or cold supply. The flow rate will remain virtually constant.

To stop the shower, return the control knob to the central stop position by rotating fully clockwise (fig.66). This automatically stops the water flow.

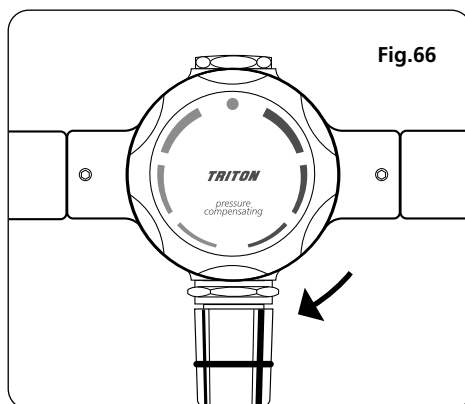
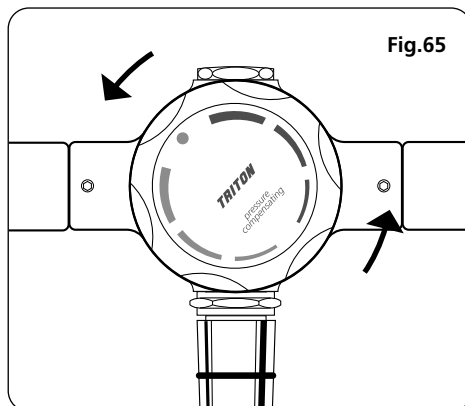
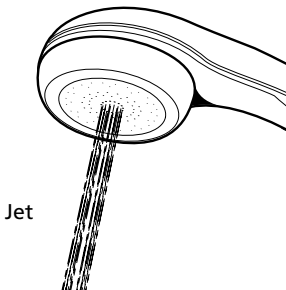
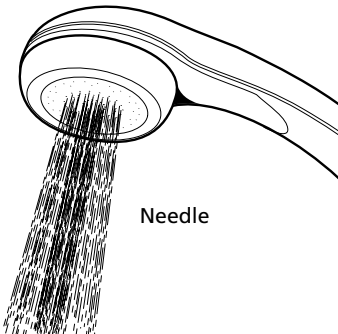
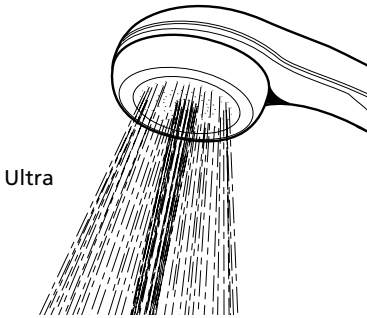
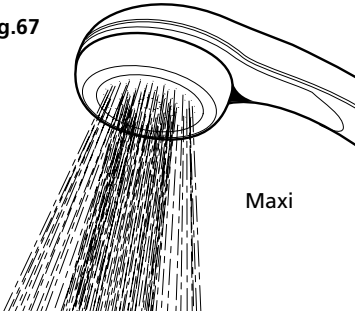


Fig.67



ADJUSTING THE SPRAYHEAD

Four sprayhead patterns are available (fig.67). Adjustment is by turning the bezel on the sprayhead in either direction until the desired pattern is obtained.

Maxi

A full spray perfect for a relaxing shower.

Ultra

A focused spray for a refreshing, satisfying shower.

Needle

A tingling, fine spray for a highly invigorating shower.

Jet

A concentrated spray for an exhilarating shower.

CLEANING

It is recommended that the shower unit, riser rail, hose etc. be cleaned using a soft cloth and that the use of abrasive or solvent cleaning fluids be avoided.

IT IS MOST IMPORTANT TO KEEP THE SPRAYHEAD CLEAN IN ORDER TO MAINTAIN THE PERFORMANCE OF THE SHOWER. The hardness of the water will determine the frequency of cleaning.

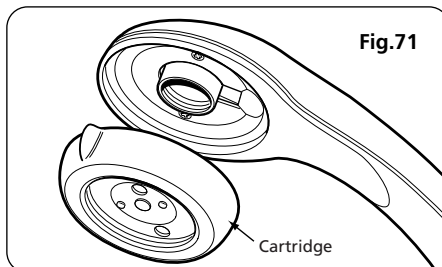
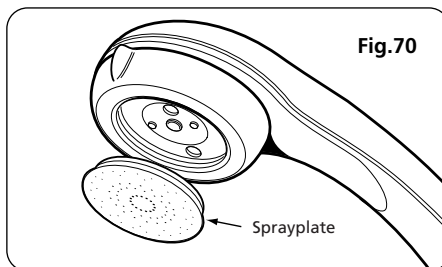
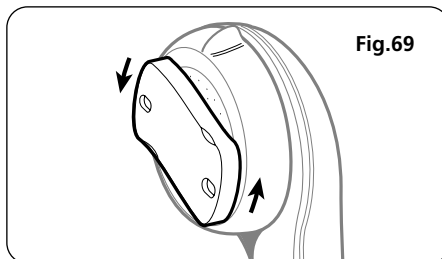
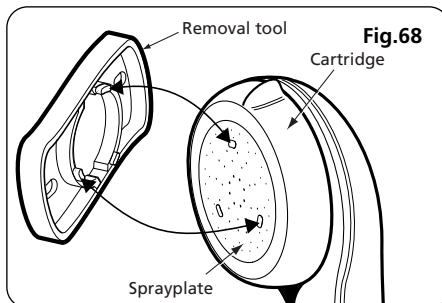
Sprayplate and cartridge removal

There is no need to remove the sprayhead from the hose.

Using the removal tool supplied (fig.68), locate the three raised 'bosses' into the three recesses in the sprayplate. Hold in firmly and twist anti-clockwise (fig.69). This movement may turn the cartridge assembly as well until it reaches a 'stop'. Hold the cartridge firmly and continue to twist anti-clockwise. Having loosened the sprayplate sufficiently, it can be unscrewed and removed completely (fig.70). To remove the cartridge, hold firmly and turn anti-clockwise until it unscrews from the sprayhead (fig.71).

Clean the sprayplate and cartridge with a suitable brush or preferably leave them to soak overnight in a mild proprietary descaler. Ensure all traces of scale are removed and thoroughly rinse in clean water afterwards.

Re-fit the sprayplate and cartridge by screwing both in clockwise. Use the tool to screw in the sprayplate tight.



WARNING

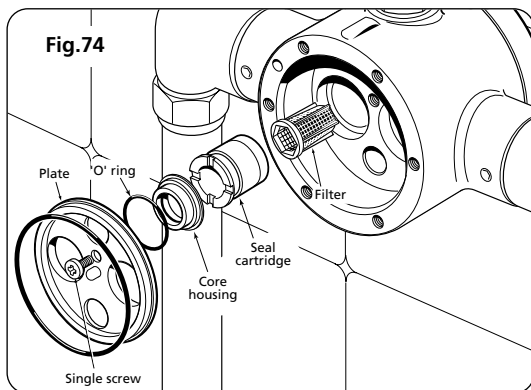
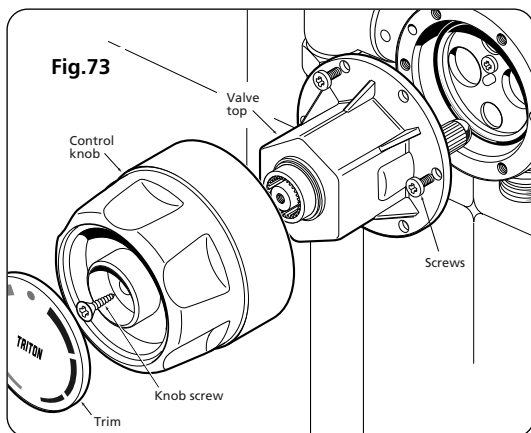
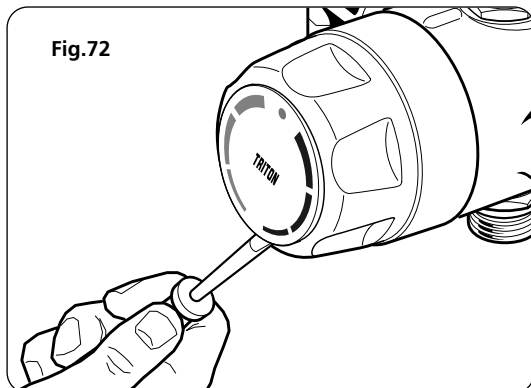
Do not use 'powerful' abrasive or solvent cleaning fluids when cleaning the shower as they may damage the plastic fittings

MAINTENANCE

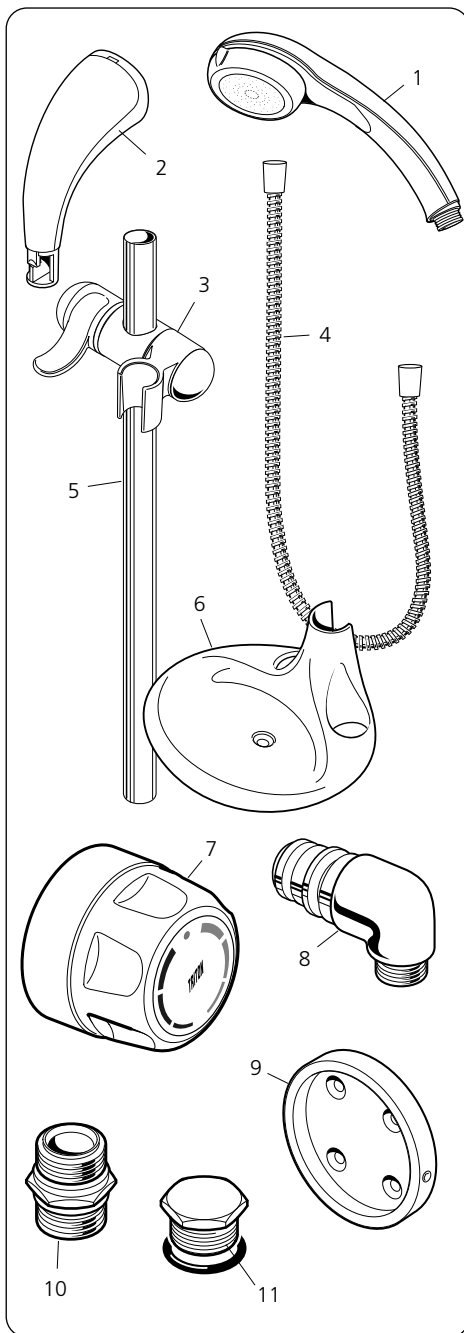
There are two filters situated in the valve body – one each in the hot and cold supplies. In order to maintain the performance of the shower, these filters will require cleaning periodically.

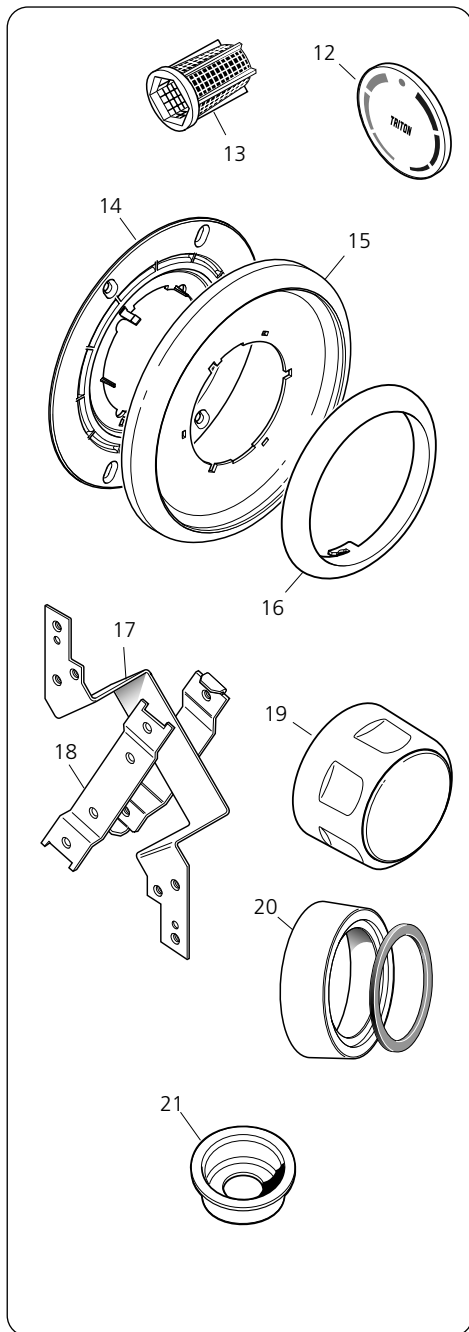
Procedure:

- A** Isolate the water supplies.
- B** Remove the knob trim (fig.72) by inserting a thin bladed screwdriver into the trim notch and carefully lift off.
- C** Unscrew the knob screw and pull off the control knob (fig.73).
- D** Unscrew the 6 screws holding the valve top to the valve body.
- E** Remove valve top complete with the core assembly.
- F** Unscrew the single screw (fig.74) locating the plate and lift off complete with the 'O' ring.
- G** Carefully extract the core housings and seal cartridges (fig.74) taking care not to damage them.
- H** Remove the two filters and clean thoroughly.
- J** Replace the filters and re-assemble all components in reverse order of dis-assembly. NOTE: For ease of re-assembly, the core housing 'O' rings should be dampened with a little water or failing that, a touch of washing liquid will ensure the 'O' rings stay in place. Make sure all screws are fully tightened.
- K** Re-instate water supplies and test shower valve.



Ref.	Description	Part No.
1	4 mode sprayhead white/chrome all chrome all gold	22008260 22008980 22008990
2	Brackets – pair white chrome gold	83306160 83306170 83306180
3	Sprayhead holder white chrome gold	83306190 83306200 83306210
4	Flexible hose chrome gold	22003970 22003980
5	Riser rail – 430mm anodised chrome plated chrome plated gold	7042409 7042412 7042413
6	Soap dish white clear	22008960 22008970
7	Knob assembly gold effect white chrome effect	83306130 83306140 83306150
8	Inlet elbow assembly chrome plated brass gold plated	83304880 83306070 83306080
9	Plinth chrome plated gold plated	7031996 7032344
10	Outlet adaptor chrome plated brass gold plated	83303840 83306090 83306100
11	Outlet blanking plug brass chrome plated gold plated	83303870 83306110 83306120





Ref.	Description	Part No.
12	Knob trim	
	white	7052340
	chrome	7052341
	gold	7052342
13	Filter	7052161
14	Flush mount plate	7051447
15	Flush-fitted cover	
	white	7051448
	chrome effect	7051449
	gold effect	7051450
16	Trim ring	
	chrome effect	7051442
	gold effect	7051443
17	Mounting bracket	7012398
18	Mounting strap	7012399
19	Bulkhead assembly	
	chrome	83306240
	chrome/white	83303770
	gold effect	83306250
20	Plastering shroud and seal (flush fit only)	83306260
21	Pipe trims	
	chrome	7052349
	gold	7052348
-	Service kit	83304890
	comprising: Valve top & core assy.	
	Seal & housing assy.	
	'O' ring for plate	

FAULT FINDING

Problem/Symptom	Cause	Action/Cure
1 Water too hot.	1.1 Not enough cold water flowing through shower.	1.1.1 Turn the control knob clockwise.
	1.2 Increase in the ambient cold water temperature.	1.2.1 Turn the control knob clockwise.
	1.3 Cold water supply blocked or cut off.	1.3.1 Turn shower off & consult a competent plumber or contact Customer Service.
	1.4 High volume of cold water being drawn off elsewhere.	1.4.1 Reduce the simultaneous demand from mains supply.
	1.5 Dirt in filters.	1.5.1 Clean – see 'maintenance'.
2 Water too cold.	2.1 Not enough hot water flowing through shower.	2.1.1 Turn the control knob anti-clockwise.
	2.2 Decrease in the ambient cold water temperature.	2.2.1 Turn the control knob anti-clockwise.
	2.3 Insufficient hot water supplies from the heating appliance.	2.3.1 Ensure heating appliance is set to maximum hot water output. 2.3.2 Ensure heating appliance is igniting by trying a hot water tap elsewhere.
	2.4 Hot water supply blocked or restricted.	2.4.1 Turn shower off & consult a competent plumber or contact Customer Service.
	2.5 Running pressure in excess of maximum recommended.	2.5.1 Fit a pressure reducing valve.
	2.6 Dirt in filters.	2.6.1 Clean – see 'maintenance'.
3 Water does not flow or shower pattern collapses when another outlet is turned on.	3.1 Water supplies cut off.	3.1.1 Check water elsewhere in house and if necessary contact the local Water Company.
	3.2 Shower unit blocked.	3.2.1 Inspect filters. Clean if necessary.
	3.3 Blockage in pipework.	3.3.1 Turn the shower off and consult a suitably competent plumber.
	3.4 Sprayhead blocked.	3.4.1 Clean sprayhead.
	3.5 System not capable of supplying multiple outlets at the same time.	3.5.1 Reduce the simultaneous demand. 3.5.2 Ensure stop or service valve is fully open. 3.5.3 Check if sufficient mains pressure.
4 Shower controls noisy whilst in use.	4.1 Running pressure in excess of maximum recommended.	4.1.1 Fit a pressure reducing valve.
5 Shower will not shut off.	5.1 Pipework not flushed before connecting the unit (seals damaged).	5.1.1 Renew internal seals.

Any maintenance or repair to the shower must be carried out by a suitably qualified person

TRITON STANDARD GUARANTEE

Triton Plc guarantee this product against all mechanical and electrical defects arising from faulty workmanship or materials for a period of three years for domestic use only, from the date of purchase, provided that it has been installed by a competent person in full accordance with the fitting instructions.

Any part found to be defective during this guarantee period we undertake to repair or replace at our option without charge so long as it has been properly maintained and operated in accordance with the operating instructions, and has not been subject to misuse or damage.

This product must not be taken apart, modified or repaired except by a person authorised by Triton Plc. This guarantee applies only to products installed within the United Kingdom and does not apply to products used commercially.

This guarantee does not affect your statutory rights.

What is not covered:

1 Breakdown due to: a) use other than domestic

use; b) wilful act or neglect; c) any malfunction resulting from the incorrect use or quality of electricity, gas or water or incorrect setting of controls; d) faulty installation.

2 Repair costs for damage caused by foreign objects or substances.

3 Call out charges where no fault has been found with the appliance.

4 The cost of repair or replacement of pressure relief devices, sprayheads, hoses, riser rails and/or wall brackets, isolating switches, electrical cable, fuses and/or circuit breakers or any other accessories installed at the same time as these do not form the mechanical and electrical components contained within the unit..

5 The cost of routine maintenance, adjustments, overhaul modifications or loss or damage arising therefrom, including the cost of repairing damage, breakdown, malfunction caused by corrosion, furring, pipe scaling, lime scale, system debris or frost.

Service Policy

In the event of a complaint occurring, the following procedure should be followed:

1 Telephone Customer Service on 024 7637 2222 (0345 626591 in Scotland and in Northern Ireland), having available the model number and power rating of the product, together with the date of purchase.

2 Triton Customer Service will be able to confirm whether the fault can be rectified by either the provision of a replacement part or a site visit from a qualified Triton service engineer.

3 If a service call is required it will be booked and the date of call confirmed. In order to expedite your request, please have your postcode available when booking a service call.

4 It is essential that you or an appointed representative (who must be a person of 18 years of age or more) is present during the service engineer's visit and receipt of purchase is shown.

5 A charge will be made in the event of an aborted service call by you but not by us, or where a call under the terms of guarantee has been booked and the failure is not product related (i.e. scaling and furring, incorrect water pressure, pressure relief device operation, electrical installation faults).

6 If the product is no longer covered by the guarantee, a charge will be made for the site visit and for any parts supplied.

7 Service charges are based on the account being settled when work is complete, the engineer will then request payment for the invoice. If this is not made to the service engineer or settled within 10 working days, a £10 administration charge will be added.

Replacement Parts Policy

Availability: It is the policy of Triton to maintain availability of parts for the current range of products for supply after the guarantee has expired. Stocks of spare parts will be maintained for the duration of the products' manufacture and for a period of five years thereafter.

In the event of a spare part not being available a substitute part will be supplied.


Payment: The following payment methods can be used to obtain spare parts:

1 By post, pre-payment of pro forma invoice by cheque or money order.

2 By telephone, quoting credit card (MasterCard or Visa) details.


Triton Plc, Shepperton Park, Caldwell Road,
Nuneaton, Warwickshire. CV11 4NR

Customer Service


 **024 7637 2222**

Scottish and Northern Ireland

Customer Service

 **0345 626591**

Installer Hotline

 **024 7632 5491**

Fax: 024 7632 4564