

THE NEW T80Z RANGE
MORE SOLUTIONS?
TAKE IT AS

Z



TRITON

The heart of every bathroom.

INTRODUCING THE NEW T80Z RANGE

It's easy to see why the T80Z is the UK's favourite shower. When it's easy to fit, easy to afford and easy to use, there's a lot to love.

But everyone's needs are different. That's why we've introduced two new T80Z showers – the T80Z Slimline and the T80Z Thermostatic.

THE SHOWER YOU REALLY WANT

So if you're looking for a great quality, versatile shower based on over 35 years of design heritage, look no further than the T80Z. For compact design and great style, opt for the new T80Z Slimline. And for young families or elderly users, the T80Z Thermostatic with its constant temperature control offers you extra peace of mind.

PERFECT FOR A REPLACEMENT. IDEAL FOR NEW

Whether you're fitting from new or replacing your old shower, the new T80Z range offers the best choice all round with its ease of installation.

Not only that, you also get complete assurance from Triton's dedicated team of over fifty Customer Service operators who can provide all the advice and guidance you need on how to choose, install and maintain your Triton shower.

A GREAT SHOWER EVERY TIME

All the T80Z range models are so easy to use. Once the power selector and temperature control knobs have been set in your favourite position, all you need to do is push the start/stop button to activate the shower. It's as simple as that.

**So if you want more choice,
more features, and more
flexibility... TAKE IT AS Z.**



T80Z THERMOSTATIC FOR MORE PEACE OF MIND

With its constant temperature control and stylish good looks, it's the ultimate affordable family shower.



T80Z FOR MORE VERSATILITY

Quality and value combined – whether installing as new or replacing your old shower, it's the perfect fit.



T80Z SLIMLINE FOR MORE STYLE

Enhance your bathroom with its neat, contemporary styling and compact design.

T80Z Thermostatic

The stylish and affordable T80Z Thermostatic is perfect for families who are looking for extra reassurance. Its thermostatic control ensures that the temperature is consistent, even if a tap is turned on. It's also ideal for elderly or infirm users who may require greater levels of showering care.



Chrome Finish



T80Z Thermostatic



Features:

- Thermostatic for Precise Temperature Control
- Stylish Design with Contrasting Trim Detail
- Push Button Start/Stop
- Illuminated Low Pressure Indicator
- Illuminated Power On Indicator
- Rub Clean Showerhead - 5 Spray Patterns
- Premium Styled Riser Kit

Finishes available:

Chrome
White/Chrome

Power ratings available:

8.5kW, 9.5kW & 10.5kW



T80Z Thermostatic

Offers the same hassle-free installation you get with the T80Z and the same flexibility – but also gives users precise showering temperatures with thermostatic control. Along with a touch more style, it's the perfect shower for all the family.

INSTALLATION BENEFITS

Water and Cable Entry Points

Multiple entry points including side entry.

Footprint

Generous footprint covers most existing fixing points.

Installation Template

Eases marking of fixing holes and connections for speedy fitting.

Removable Pipe Entry Trims

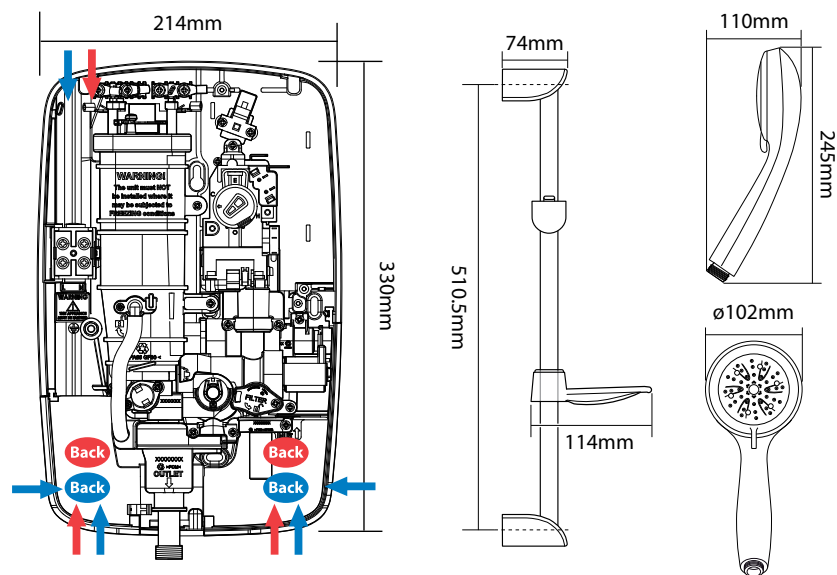
Reduces the need for cutting out water and cable entry points.

Commissioning

Uses proven shower technology for quick and easy commissioning, just like the other T80Z range models.

2 Year Guarantee

Simply fit and forget.



Entry Points

➔ Water entry points ➔ Cable entry points

All dimensions are approximate

TECHNICAL INFORMATION

| | |
|--|--|
| Temperature Control | Thermostatic |
| Power Ratings | 8.5kW, 9.5kW, 10.5kW |
| Inlet Connection | 15mm Compression |
| Water Entry Points | Top, bottom, back (left hand side of unit) bottom, back (right hand side of unit) |
| Cable Entry Points | Top, bottom, back (left hand side of unit) bottom, back (right hand side of unit) |
| Outlet Connection | ½" BSP |
| Plumbing System | Cold mains fed water only |
| Minimum Running Pressure/ Flow for Full Performance | 1 Bar @ 8l/min and 1.5 Bar @ 11l/min for 10.5kW |
| Maximum Static Pressure | 10 bar |
| Surface Mounted Only | |
| Approvals | Complies with BEAB, CE, BSI Kitemark |
| Guarantee | 2 years |



White/Chrome



Chrome

T80Z THERMOSTATIC
can be commissioned in just

02.00 minutes

TRITON
TIME



T80Z THERMOSTATIC MODELS

| CODE | DESCRIPTION |
|-------------|---|
| SP8008ZTHM | T80Z Thermostatic 8.5kW White/Chrome |
| SP8009ZTHM | T80Z Thermostatic 9.5kW White/Chrome |
| SP8CHR9ZTHM | T80Z Thermostatic 9.5kw Chrome |
| SP8CHR1ZTHM | T80Z Thermostatic 10.5kW Chrome |



T80Z Slimline

Good things come in small packages. With its slender, stylish design, the T80Z Slimline adds a little extra flair to the usual T80Z quality and its compact footprint complements its modern styling. Needless to say, it comes with all the great features of the standard T80Z to deliver good looks and performance.



Chrome Finish



Features:

- Premium Compact and Slimline Design
- Pressure Stabilised Temperature Control
- Push Button Start/Stop
- Illuminated Power on Indicator
- Low Pressure Indicator
- Rub Clean Showerhead - 5 Spray Patterns
- Stylish Riser Kit
- Eco Model Option with Built in 6l/min Flow Limiter

Finishes available:

- Chrome
- White/Chrome
- White/Chrome Eco Model

Power ratings available:

8.5kW, 9.5kW & 10.5kW



T80Z Slimline

The same easy installation as the T80Z – in a slimmed-down model that offers extra style in a compact design.

INSTALLATION BENEFITS

Flexible Water Connections

Unique 180° fully reversible swivel water inlet accommodates water connections from either the left or the right hand side of the unit.

Water and Cable Entry Points

Multiple entry points including side entry.

Installation Template

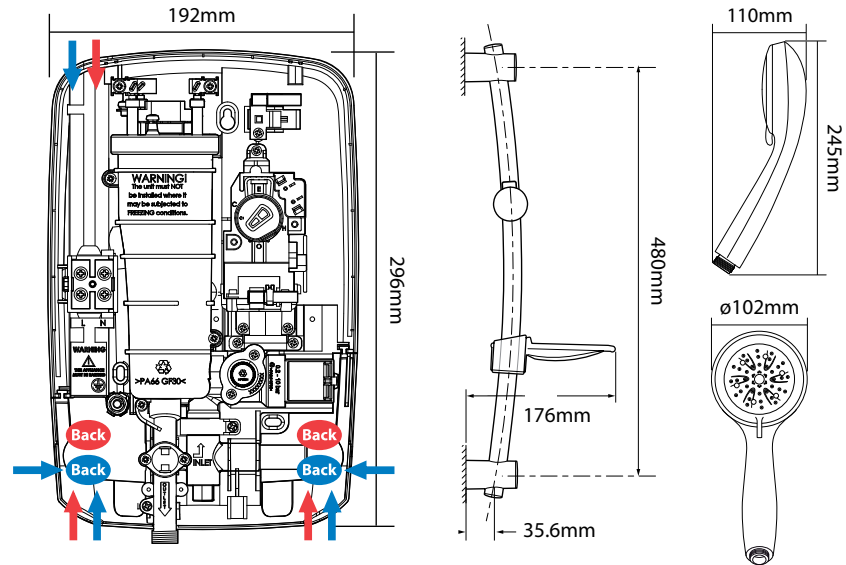
Eases marking of fixing holes and connections for speedy fitting.

Removable Pipe Entry Trims

Reduces the need for cutting out water and cable entry points.

2 Year Guarantee

Simply fit and forget.



Entry Points

→ Water entry points → Cable entry points

All dimensions are approximate

TECHNICAL INFORMATION

| | |
|--|--|
| Temperature Control | Stabilised |
| Power Ratings | 8.5kW, 9.5kW, 10.5kW |
| Inlet Connection | 15mm Compression |
| Water Entry Points | Top, bottom, back (left hand side of unit) bottom, back (right hand side of unit) |
| Cable Entry Points | Top, bottom, back (left hand side of unit) bottom, back (right hand side of unit) |
| Outlet Connection | ½" BSP |
| Plumbing System | Cold mains fed water only |
| Minimum Running Pressure/ Flow for Full Performance | 1 Bar @ 8l/min and 1.5 Bar @ 11l/min for 10.5kW Eco model maximum 6l/min |
| Maximum Static Pressure | 10 bar |
| Surface Mounted Only | |
| Approvals | Complies with BEAB, CE, BSI Kitemark |
| Guarantee | 2 years |



White/Chrome



Chrome



White/Chrome Eco Model

T80Z SLIMLINE
 features the 180°
 swivel water inlet for
 speedy fitting.



Left hand

Right hand

TRITON
TIME



T80Z SLIMLINE MODELS

| CODE | DESCRIPTION |
|-------------|--------------------------------------|
| SP8008ZSLM | T80Z Slimline 8.5kW White/Chrome |
| SP8009ZSLM | T80Z Slimline 9.5kW White/Chrome |
| SP8001ZSLM | T80Z Slimline 10.5kW White/Chrome |
| ECO8008ZSLM | T80Z Slimline Eco 8.5kW White/Chrome |
| SP8CHR9ZSLM | T80Z Slimline 9.5kW Chrome |
| SP8CHR1ZSLM | T80Z Slimline 10.5kW Chrome |



T80Z

T80Z

The T80Z combines everything we know you love in a shower. The result is a range of features that deliver real value in a versatile, high quality design. It's the perfect option for updating your bathroom as it will replace nearly any other electric shower.

Chrome Finish





Features:

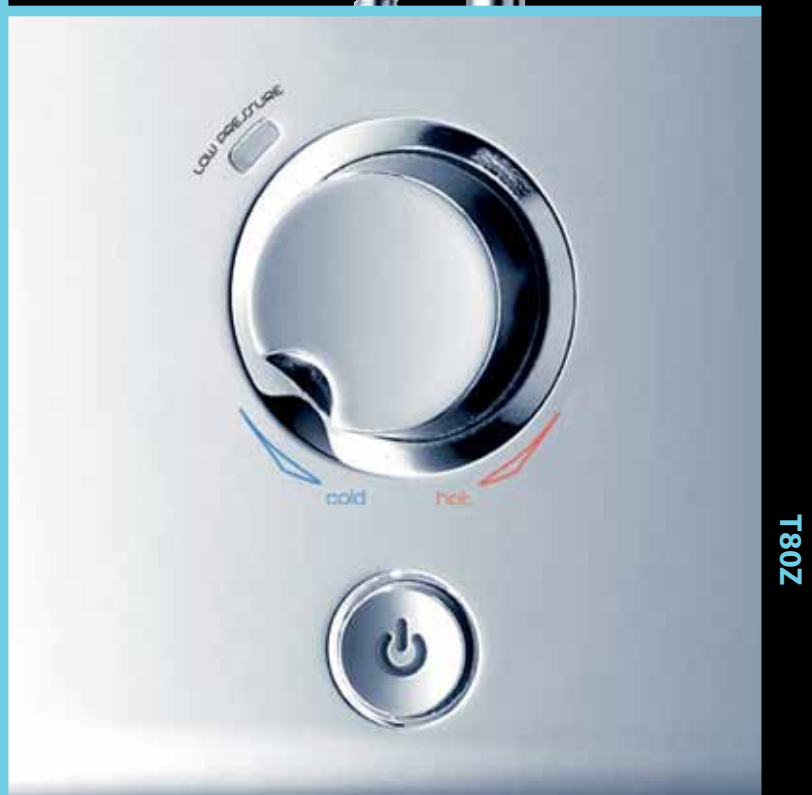
- Covers footprint of most electric showers making it the ultimate retrofit shower
- Temperature Stabilised Control
- Eco Model Available with Built-in 6l/min Flow Limiter
- Illuminated Push Button Start/Stop
- Easy Grip Controls
- Low Pressure Indicator
- Rub Clean Showerhead, 5 Spray Patterns
- High Quality Riser Kit

Finishes available:

Chrome
White/Chrome
White/Chrome Eco Model
Satin/Chrome

Power ratings available:

7.5kW, 8.5kW, 9.5kW & 10.5kW



T802

T80Z

The T80Z takes ease of installation to new levels: just open the box and it's ready to fit in minutes, either from new or as a retrofit.

INSTALLATION BENEFITS

Flexible Water Connections

Unique 180° fully reversible swivel water inlet accommodates water connections from either the left or right hand side of the unit.

Flexible Electric Connections

The Z Uni-fit kit* (optional extra) allows you to extend the electrical connections within the unit to the right hand side.

Footprint

Generous footprint covers most existing fixing points.

Removable Pipe and Cable Entry Trims

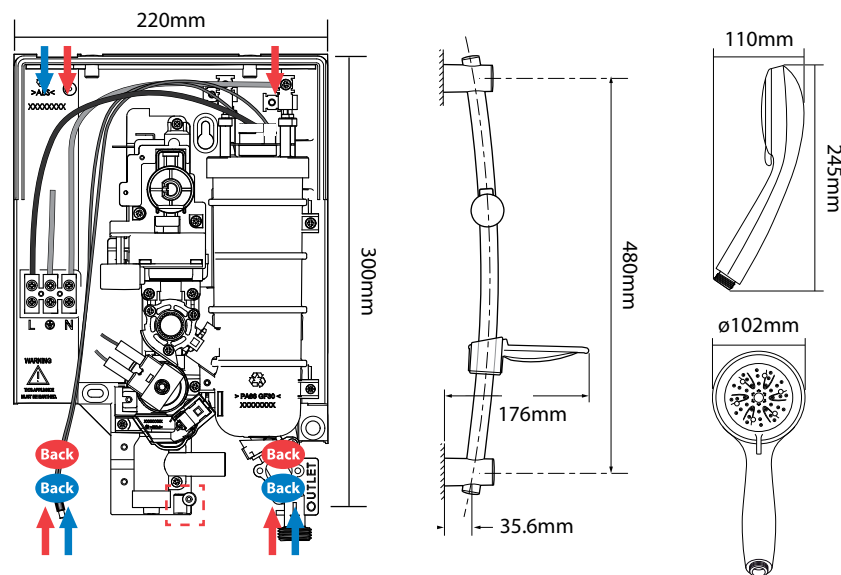
Reduces the need for cutting out water and cable entry points.

Installation Template

Eases marking of fixing holes and connections for easy fitting.

2 Year Guarantee

Simply fit and forget.



Entry Points

➔ Water entry points
 ➔ Cable entry points
 Optional Uni-fit kit - right connection position

All dimensions are approximate

TECHNICAL INFORMATION

| | |
|---|--|
| Temperature Control | Stabilised |
| Power Ratings | 7.5kW, 8.5kW, 9.5kW, 10.5kW |
| Inlet Connection | 15mm Compression |
| Water Entry Points | Top, bottom, back (left hand side of unit), bottom, back (right hand side of unit) |
| Cable Entry Points | Top, bottom, back (left or right hand side of unit*) |
| Outlet Connection | ½" BSP |
| Plumbing System | Cold mains fed water only |
| Minimum Running Pressure/ Flow for Full Performance | 1 Bar @ 8l/min and 1.5 Bar @ 11l/min for 10.5kW Eco model maximum 6l/min |
| Maximum Static Pressure | 10 bar |
| Surface Mounted Only | |
| Approvals | Complies with BEAB, CE, BSI Kitemark |
| Guarantee | 2 years |

*Right hand side cable entry is achieved using the Z Uni-fit Kit.



White/Chrome



Satin/Chrome



White/Chrome Eco Model



Chrome



T80Z MODELS

| CODE | DESCRIPTION |
|-------------|--|
| SP8007Z | T80Z 7.5kW White/Chrome |
| SP8008Z | T80Z 8.5kW White/Chrome |
| SP8009Z | T80Z 9.5kW White/Chrome |
| SP8001Z | T80Z 10.5kW White/Chrome |
| SP8SAT9Z | T80Z 9.5kW Satin/Chrome |
| SP8CHR8Z | T80Z 8.5kW Chrome |
| SP8CHR9Z | T80Z 9.5kW Chrome |
| SP8CHR1Z | T80Z 10.5kW Chrome |
| ECO8008Z | Eco T80Z 8.5kW White/Chrome |
| SP8008ZUFIT | T80Z 8.5kW White/Chrome with Z Uni-Fit Kit |



MORE CHOICE
MORE FLEXIBILITY
MORE SOLUTIONS
TAKE IT AS

Z

TRITON

The heart of every bathroom.

Triton Customer Service: 0844 9800 750

For 24hr technical advice or further information on Triton products, visit: www.tritonshowers.co.uk

Follow us on facebook, twitter and youtube

Triton is a division of Norcros Group (Holdings) Limited

It is our policy to improve the design and specification of our products and we reserve the right to depart from the details given without prior notice.