

WX9 & WX12

*Installation and
operating instructions*

Retain for future reference

GB

F

D

NL

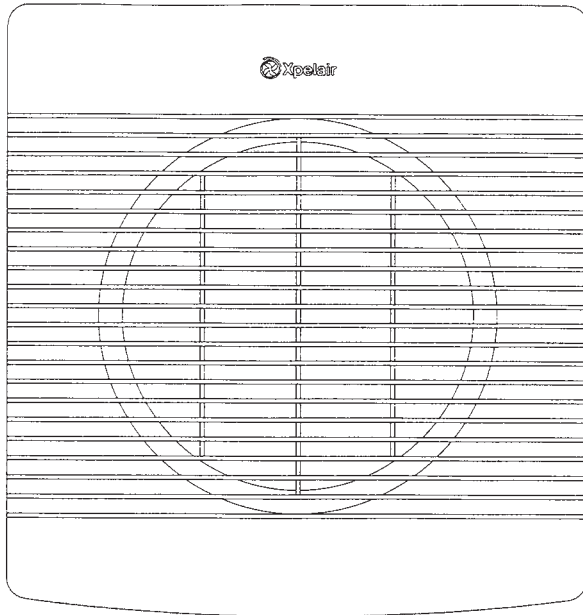
N

P

I

GR

a



 **Xpelair[®]**

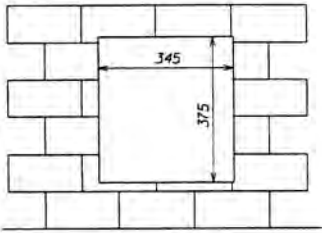


Fig. 1a WX9

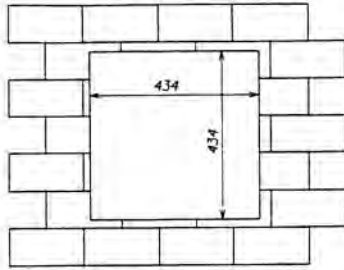


Fig. 1b WX12

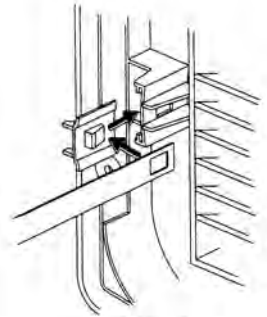


Fig. 2

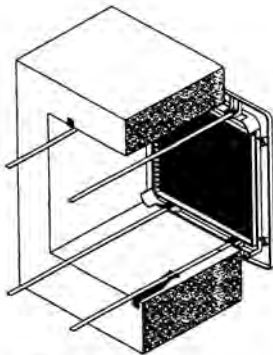


Fig. 3a WX9

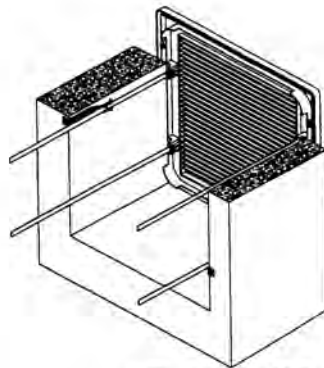


Fig. 3b WX12

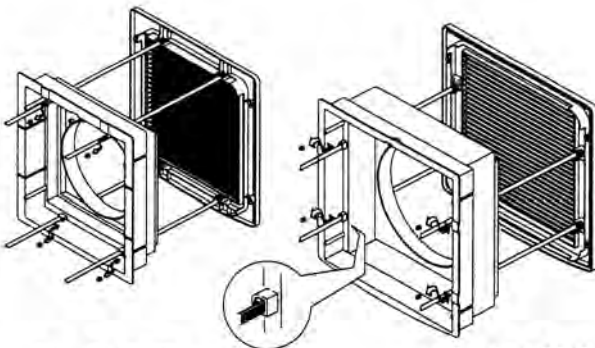


Fig. 4a WX9

Fig. 4b WX12

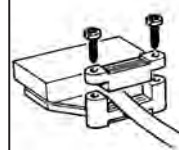


Fig. 5a

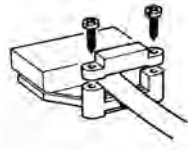


Fig. 5b

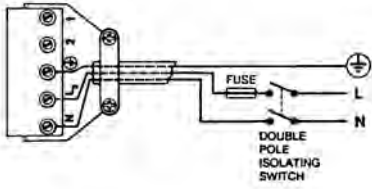


Fig. 6

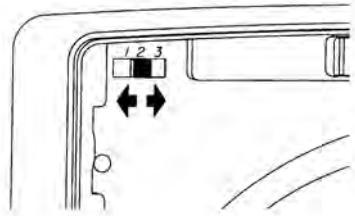


Fig. 7

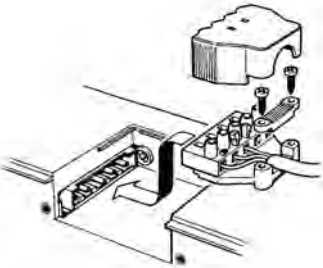


Fig. 8

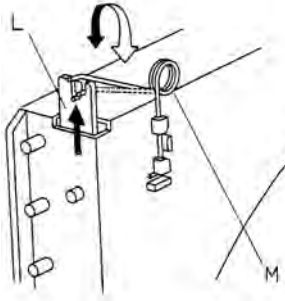


Fig. 9a WX9

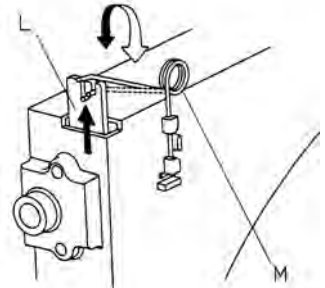


Fig. 9b WX12

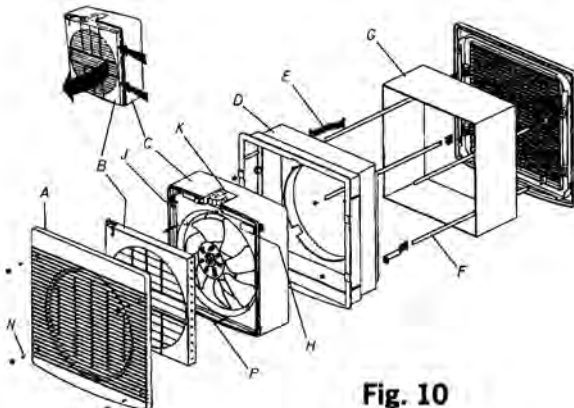
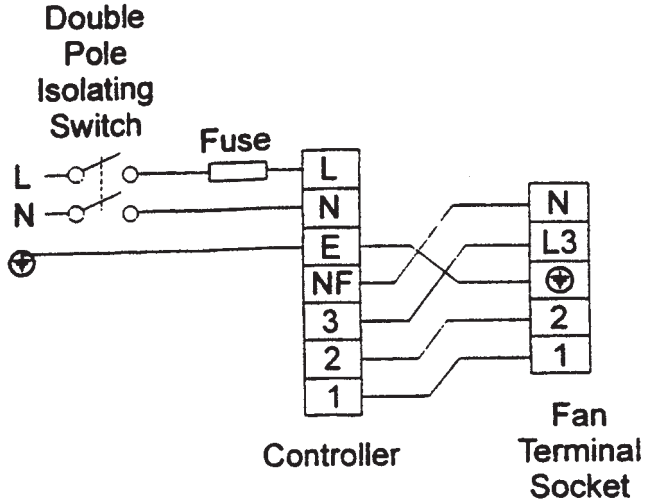
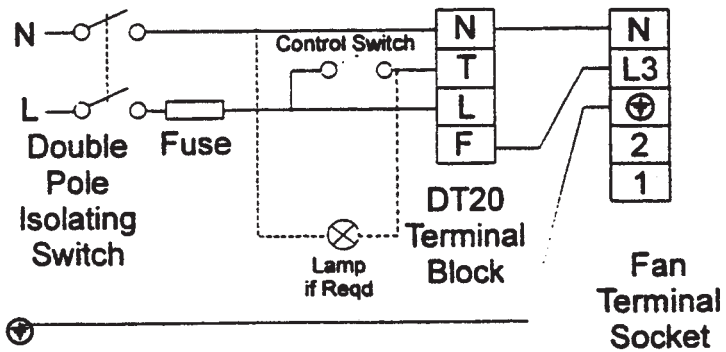


Fig. 10

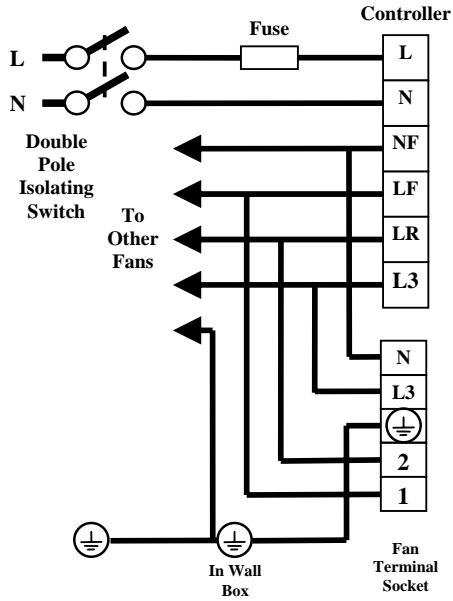
FR22/30



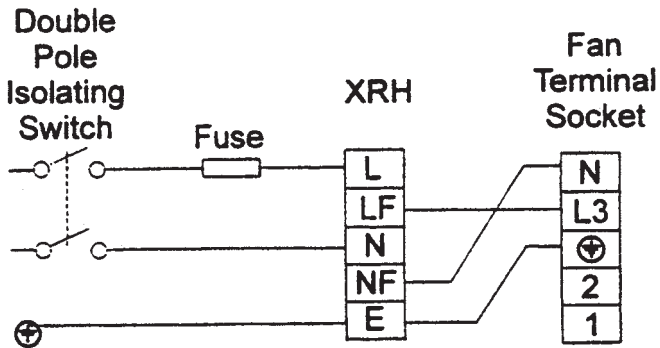
DT20



EC6H



XRH



Xpelair WX9 and WX12 Installation and Operating Instructions

LEAVE THIS INSTRUCTION LEAFLET
WITH THE FAN, FOR THE BENEFIT
OF THE USER.

INSTALLING THE FAN

These appliances are intended for connection to fixed wiring. Check that the electrical rating shown on the fan matches the Mains supply. **WARNING: THESE APPLIANCES MUST BE EARTHED.**

All installations must be supervised by a qualified electrician. Installations and wiring must conform to current IEE Regulations (UK). Local or appropriate regulations (other countries). It is the installer's responsibility to ensure that the appropriate Building codes of Practice are adhered to.

This appliance is not intended for use by persons (including children and the infirm) with reduced physical, sensory or mental capabilities, or lack of experience and knowledge, unless they have been given supervision or instruction concerning use of the appliance by a person responsible for their safety. Children should be supervised to ensure that they do not play with the appliance.

If you have any queries before installing these products or after they have been installed, call the Xpelair Technical Hotline 08709 000430. Our Engineers are there to help you during Normal office hours (UK only) and may be faxed at all other Times 08709 000530. Customers outside the UK may contact your local Xpelair Distributor.

1 Description

The WX9 and WX12 fans have the following features:

- ◆ Can be flush mounted in a wall.
- ◆ Fitted with silent operation back draft shutters.
- ◆ The WX9 and WX12 fans can be extract, intake or "open shutter only", using an integral Fan Selector Switch.
- ◆ Trickle Ventilation setting.
- ◆ Removal of the inner Grille isolates these fans mechanically.
- ◆ Can be installed with a controller.

If used with a speed controller, these fans can intake or extract at selected speeds or at variable speed depending on the type of controller, if used with an on/off switch, these fans will intake or extract at high speed only.

2 What the installer will need

◆ A means for disconnection in all poles must be incorporated in the fixed wiring in accordance with the wiring regulations.

◆ If metal switch boxes are used, earthing regulations must be followed.

- ◆ Suitable rated 3-core cable.
- ◆ 6mm Blade Large Screwdriver, 3mm Blade Electricians Screwdriver, No's 1 & 2 Pozidriv Screwdrivers.
- ◆ Masonry drill, Hammer & Chisel (or Core Drill equipment if available). If installing the fan with an on/off switch:
- ◆ On/Off switch.

If installing the fan with a controller:

- ◆ Suitable rated 5-core cable (Available from Xpelair). Note: Please Check the instructions to the controller.

3 Where to locate the Fan

• Locate it as high as possible.

If installing a WX9:

- ◆ At least 255mm from the edge of the wall or ceiling to the centre of the hole.

If installing a WX12:

- ◆ At least 280mm from the edge of the wall or ceiling to the centre of the hole.

◆ As far away as possible from and opposite to the main source of air replacement to ensure airflow across the room (e.g. opposite the internal doorway).

◆ Near the source of steam or odours.

◆ Not where ambient temperatures are likely to exceed 50°C.

◆ If installed in a kitchen fans must not be mounted immediately above a cooker hob, or eye level grill.

◆ When the fan is installed in a room containing a fuel burning appliance, precautions must be taken to avoid the backflow of gases into the room from the open flue of the fuel burning appliance.

◆ If the fan is intended to intake air, the inlet grille should be sited at a distance of at least 0.5metre from the discharge outlet of a flued heating or cooking appliance.

◆ When intended for use in possible chemical corrosive atmospheres, consult our Technical Service Department. (For overseas markets contact your local Xpelair distributor).

◆ This product must not be installed in zone 0.

4 Installing the isolating Switch and Cables

1. Check there are no buried Pipes or Cables e.g. Electricity, Gas, Water behind the Switch location (in the Wall or above the Ceiling).

2. Lay in the Cable from the Isolating Switch to the Fan location via the on/off switch or controller.

3. Lay in the Cable from the Isolating Switch to the point of connection to the Mains Supply.

4. Install the Isolating Switch, and on/off switch or controller.

5. Make all connections within the Isolating Switch.

WARNING: Do not make any connections to the Electrical Supply at this stage.

10 Fitting the Connector to the Fan

1. Ensure the cable is firmly retained by the clamp.
 2. Assemble the Fan Connector by snapping the Cover over the Connector (Fig. 8).
 3. Plug the Fan Connector into the Fan Assembly.
 4. Refit the Backdraught Shutter.
 5. Refit the Inner Grille.
 6. Insert four screw covers (packed separately) in the fixing holes in the Inner Grille. When removing the covers, place a 3mm blade electrician's screwdriver into the slot and lever off the cover.
 7. **Switch off the mains electrical supply and remove fuses.**
 8. Connect the cable from the isolation switch to the electrical supply wiring.
 9. Replace the fuses, and switch on the mains electrical supply.
- ◆ **For fixed wiring circuits, the protective fuse for the appliance must not exceed 5A.**

USING YOUR FAN

11 Operating the Fan

Switch operated:

To switch on an off, use the switch on the wall or ceiling.

Controller operated:

Refer to the instructions for the controller.

◆ **The shutters are operated by a silent thermo-actuator which has a time delay on opening (30 - 50 secs) and closing (3 mins).**

12 Trickle Ventilation

◆ Trickle Ventilation is equivalent to that provided by an air brick or similar device.

1. Remove the Inner Grille and Back Draught Shutter (see section 6).

◆ **To allow trickle ventilation:**

2. Release the Shutter Return Spring as shown in Fig. 9.

3. Re-position the Shutter Return Spring into the L-shaped slot.

4. Raise the Operating Bar to latch into position.

◆ **To fully close the shutters and stop any backdraught:**

2. Unlatch the Shutter Return Spring and re-position into the short slot.

3. Refit the Backdraught Shutter and Inner Grille.

LOOKING AFTER YOUR FAN

13 Cleaning

1. Before cleaning, isolate the fan from the mains supply. Allow 3 minutes for the impeller to stop rotating and the powered shutter to close.

2. Remove the inner grille and back-draught shutter (see section 6).

WARNING: Fan will still operate when the inner grille is removed.

3. Remove the impeller by unscrewing the knob at the front of the impeller anticlockwise.

4. Clean the inner grille, back-draught shutter and impeller by immersing in warm soapy water. Dry thoroughly.

Do not immerse the fan in water or other liquids to clean any other parts of the fan.

5. Refit the impeller by locating it over the motor shaft and aligning the arrow on the impeller with the white dot on the motor. Make sure the impeller is seated correctly.

6. Refit the knob making sure the ratchet at the rear of the knob is fully engaged.

◆ **Never use strong solvents to clean the fan.**

◆ Apart from cleaning, no other maintenance is required.

KEY (For Fig. 9 and Fig. 10)

Inner Grille	"A"	Rating Plate	"H"
Back Draught Shutter	"B"	Selector Switch	"J"
Fan Assembly	"C"	Customer Connector	"K"
Fan Mounting Box	"D"	Operating Bar	"L"
Retainer	"E"	Shutter Return Spring	"M"
Ladder Strips	"F"	Screws (M4 x 10mm)	"N"
Wall Tube	"G"	Screws (No. 8 x 55mm)	"P"

For Australia and New Zealand

Children must be supervised to ensure that they do not play with the appliance.

Young children and infirm persons must be supervised when using the appliance.

5 Preparing the hole

If working above Ground Floor level, appropriate safety precautions must be observed.

Warning: eye protection must be worn during all drilling and chiselling operations.

If installing a WX9:

1a. Make sure that the centre of the hole is located at least 255mm from the edges of the wall or ceiling.

If installing a WX12:

1b. Make sure that the centre of the hole is located at least 280mm from the edges of the wall or ceiling.

2. Check there are no buried pipes or cables in the wall or obstructions on the outside e.g. Electricity, Gas, Water.

3. Mark the outline of the hole on the wall as shown in Fig. 1a and Fig. 1b.

If core drill equipment is available:

4a. Use as directed by Core Drill manufacturer.

If core drill equipment is not available:

4b. Cut the hole. Do not cut right through the wall.

(The recommended method is to drill a series of holes, close together, around the edge of the cutting line and remove the brick between the holes with a chisel).

5. Go outside and cut a hole in the outer wall, repeating the process described above. Ensure alignment.

6 Separate the Fan from the Fan Mounting Box (Fig. 10)

1. Remove the Inner Grille by removing four screws (Item "N")

2. Remove the Back Draught Shutter by unclipping it (Item "B").

3. Unscrew the four cross-headed screws and lift off the Fan Assembly (Item "P").

7 Mounting the Fan Mounting Box and Outer Grille

If working above Ground Floor level, appropriate safety precautions must be observed.

1. Insert four colour matching screw covers (packed separately) in the fixing holes of the Outer Grille.

2. Secure the four ladder strips to the Outer Grille by positioning them over the hook mouldings (packed separately) and snapping these into position (Fig. 2).

3. Position the Outer Grille up to the outside of the wall ensuring the ladder strips protrude through to the interior. This can be done from the inside room.

4. Feed two of the ladder strips through the Retainers (packed separately) diagonally opposite each other and clamp to the inner wall (Fig. 3a and Fig. 3b).

5. Measure the wall thickness.

If installing a WX9:

6a. Cut the wall tube so that it is 86mm less than the wall thickness.

If installing a WX12:

6b. Cut the wall tube so that it is 130mm less than the wall thickness.

7. Locate the Wall Tube onto the back lip of the Fan Mounting Box (Fig. 10).

8. Offer the Fan Mounting Box to the inner wall face and locate ladder strips into their location fixings (Fig. 4a and Fig. 4b).

9. Pull the ladder strips through, locate the Fan Mounting Box in the wall and ensure the Wall Tube locates onto the Outer Grille.

10. Screw the slotted screws (packed separately) into the pockets of the Fan Mounting Box. (Fig. 4a and Fig. 4b). **Do not overtighten.**

11. Trim the Ladder Strips back to the required length, remove any sharp edges. (If necessary, apply a sealing mastic (not supplied) to the flanges of the Fan Mounting Box and the Outer Grille. This will provide additional seals and take out any unevenness on both wall faces).

12. Refit the Fan Assembly into the Fan Mounting Box. **Do not over tighten.**

8 Wire the electrical connections

1. The Fan Connector parts are packed separately.

2. Remove the two cable clamp screws (Fig 5a and Fig. 5b).

3. If required, feed the cable through the grommet in order to fit to the cable entry of the Connector Plate.

◆ **If installing with an on/off switch:**

1. Wire the Fan Connector as shown in Fig. 6.

2. Set the Fan Selector Switch to Position 1 for intake, Position 2 for extract or Position 3 for "open shutter only" (Fig. 7).

◆ **If installing with a controller:**

1. Refer to the installation instructions for the controller.

2. If wiring to an existing controller, contact Xpelair Technical Services or in export markets, the Xpelair distributor.

3. Set the Fan Selector Switch to Position 3 if using a controller providing variable speed and/or direction. Otherwise, set the Fan Selector Switch to Position 1 for intake, Position 2 for extract or Position 3 for "open shutter only" (Fig. 7).

9 Fitting the Cable Clamp

For cable up to 8mm diameter, clamp the cable as shown in Fig. 5a.

For cable equal to or greater than 8mm and up to 11.5mm diameter, clamp the cable as shown in Fig. 5b.

For cable greater than 11.5mm diameter use the conduit entry provided (Europe only).

UK Only

Xpelair products deliver reliable service for normal, household use in domestic setting. All Xpelair products are individually tested before leaving the factory.

If you are a consumer and you experience a problem with your Xpelair product, which is found to be defective due to faulty materials and workmanship within the warranty period. This Xpelair warranty will cover repair or at the discretion of Xpelair replacement with a functionally equivalent Xpelair product.

The Xpelair warranty period is Two calendar years from the date of purchase of your Xpelair product, or the date of delivery of the product, if later. The Xpelair warranty is conditional upon you providing the original purchase receipt proof of purchase. Please therefore retain your receipt as proof of purchase.

If you do experience a problem with your Xpelair product please call the helpline on +44 344 879 3588 or at the address below. We will need details of your Xpelair product, and a description of the fault which has occurred. Once we receive your information and proof of purchase we will contact you to make the necessary arrangements.

Customers outside UK - See International below.

If your Xpelair product is not covered by this warranty there may be a charge to repair your product. However, we will contact you for an agreement to any charges before any chargeable service is carried out.

What is not covered by an Xpelair warranty?

The Xpelair warranty does not cover any of the following:

Any fault or damage to your Xpelair product due to faulty materials or workmanship occurring outside the Two year warranty period.

Any fault or damage occurring to any pre-owned Xpelair product or any other equipment of property.

Accidental damage to your Xpelair product or damage to your Xpelair product from external sources (for example, transit, weather, electrical outages or power surges).

Fault or damage to your Xpelair product which is:

Not due to faulty materials or workmanship or which is due to circumstances outside Xpelair's control.

Caused by use of your Xpelair product for anything other than normal domestic household purposes in the country where it was purchased.

Caused by any misuse, abuse or neglect use of the Xpelair product, including but not limited to any failure to use it accordance with the Operating instructions supplied with the product.

Caused by any failure to assemble, install, clean and maintain your Xpelair product in accordance with the Operating instructions supplied with the product unless this was carried out by Xpelair or its authorised dealers.

Caused by repairs or alterations to your Xpelair product not carried out by Xpelair service personnel or its authorised dealer(s).

Caused by use of any consumables or spare parts for your Xpelair product which are not Xpelair specified.

Terms and conditions

The Xpelair warranty is valid for Xpelair from the date of purchase of your Xpelair product from a recognised retailer in the country of purchase and use, or the date of delivery of the product if later, always provided the original receipt has been retained and is produced as proof of purchase.

You must provide to Xpelair or its authorised agents on request the original receipt as proof of purchase and - if required by Xpelair - proof of delivery. If you are unable to provide this documentation, you will be required to pay for any repair work required.

Any repair work under the Xpelair warranty will be carried out by Xpelair or its authorised dealer(s) and any parts that are replaced will become the property of Xpelair. Any repairs performed under the Xpelair warranty will not extend the warranty period.

Any replacement of your Xpelair product by Xpelair during the warranty period will start the Two year warranty period afresh from the date of delivery of the replacement Xpelair product to you.

The Xpelair warranty does not entitle you to recover of any indirect or consequential loss or damage including but not limited to loss or damage to any other property.

The Xpelair warranty is in addition to your statutory rights as a consumer and your statutory rights are not affected by this Xpelair warranty.

Contact Xpelair

If you have any questions about what the Xpelair warranty covers and does not cover or how to claim under Xpelair warranty, please contact us using the information below.

Contact details

Millbrook House, Grange Drive, Hedge End, Southampton SO30 2DF

Telephone: +44 (0) 344 879 3588

Email: customer.services@glendimplex.com

<http://www.xpelair.co.uk>

International

Warranty: Contact your local distributor or Xpelair direct for details.

Technical advice and service: Contact your local Xpelair distributor.

Xpelair: A brand of GDC Group Limited, trading as Glen Dimplex Heating & Ventilation

Glen Dimplex. All rights reserved. Material contained in this publication may not be reproduced in whole or in part, without prior permission in writing of Glen Dimplex



For Electrical products sold within the European Community. At the end of the electrical products useful life it should not be disposed of with household waste. Please recycle where facilities exist. Check with Local Authority or retailer for recycling advice in your country. Batteries should be disposed of or recycled in accordance with WEEE Directive 2012/EU, Packaging should be recycled where possible.



Part no: 22339AA (Rev. D)